











Spare Tire

Installation Manual Procedures

Applicable Vehicle : Mazda2

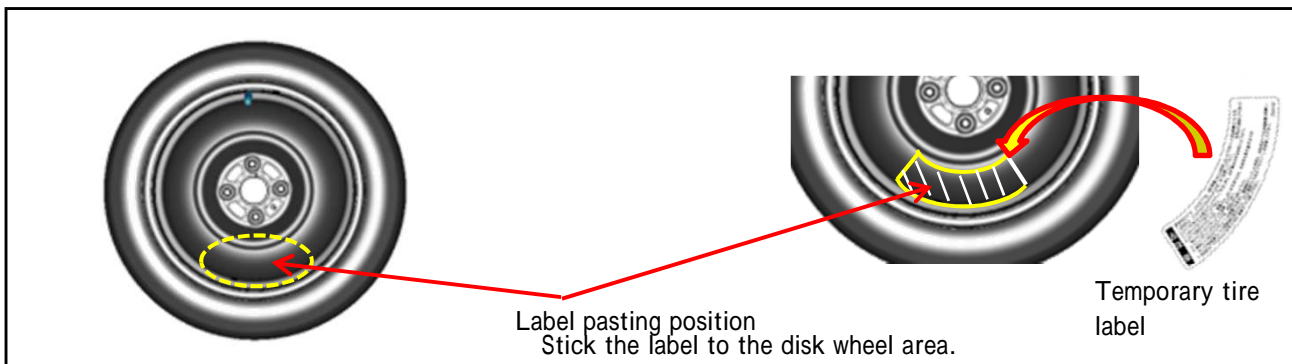
1 Parts required

	Temporary disc wheel (15 x 4T) [9965 43 4050]	1		Temper tire (T125/70D15 95M) [9069 11 7625]	1
	Air valve (TR-414) [9963 60 4140]	1		Temporary tire label [NA10 69 073]	1
	Clamp bolt (DB1R 56 960A)	1		Trunk mat Rear Seat type 4/6 Fold Down (DB8R 68 81X) Rear Seat Type One Piece Fold (DB6A 68 81X)	1
	Tool bag (BJS7 69 670)	1		Jack fixed bolt (B001 56 170C)	1
	Jack (GA5R 37 790C)	1		Wheel wrench (LD47 69 671)	1

Parts number may change due to spec change etc. Please check the latest part and use it.

2 Preparation prior to installation onto the vehicle

1. Install the temper tire and the air valve to the temporary disc wheel.
2. Pump air into the tire, confirm there's no air leak, and adjust the tire pressure to "**420 kpa**".
3. Degrease the label pasting position with IPA or white gasoline, and stick the temporary tire label.

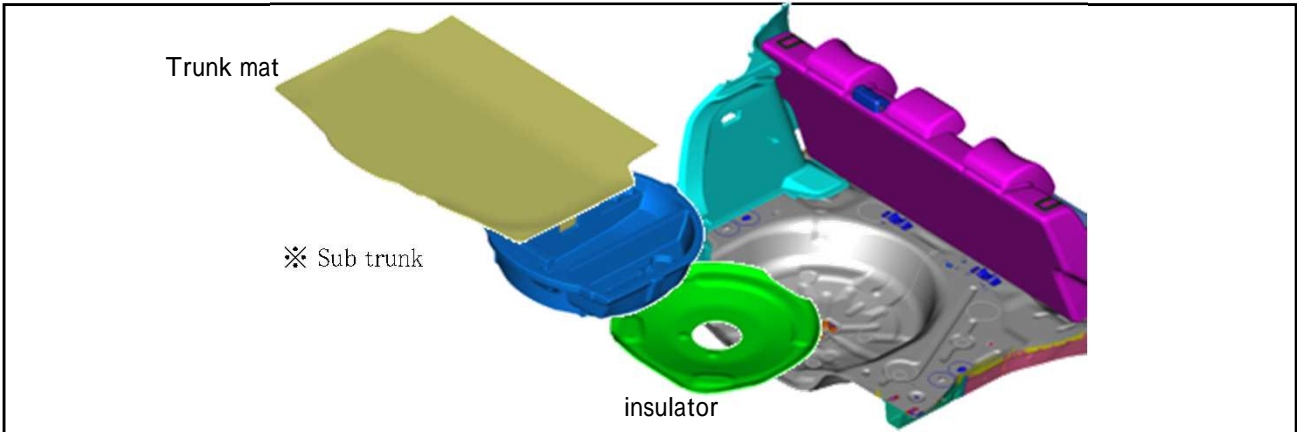


Hereinafter, this assy part is called "spare tire assy".

3 Installation onto the vehicle

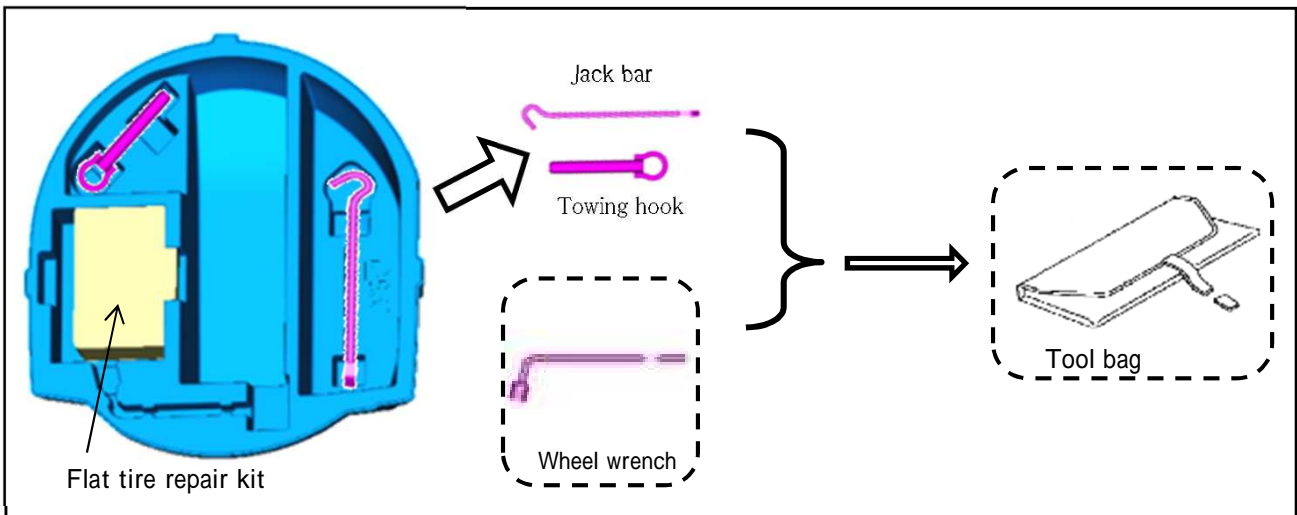
1. Remove the trunk mat, the sub trunk and the insulator from the vehicle.

Keep in mind that removed trunk mat, sub trunk and the Insulator will NOT be reused.



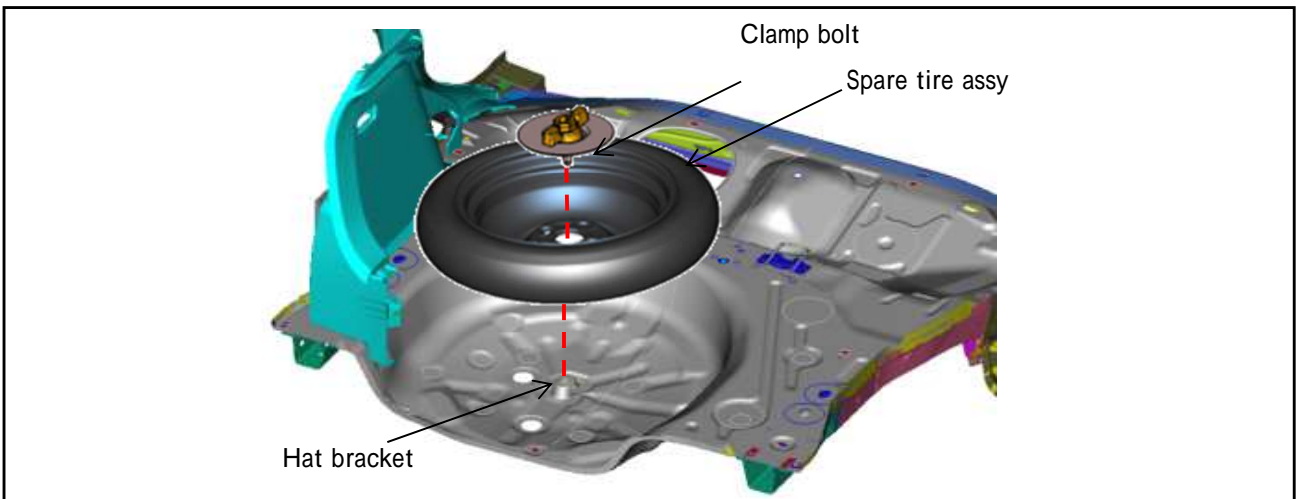
2. Remove the jack bar and the towing hook which are fixed in the sub trunk .
Purchase Wheel wrench and Tool bag .
Put into the Tool bag them.

Flat tire repair kit cannot be stored in the Luggage room space.

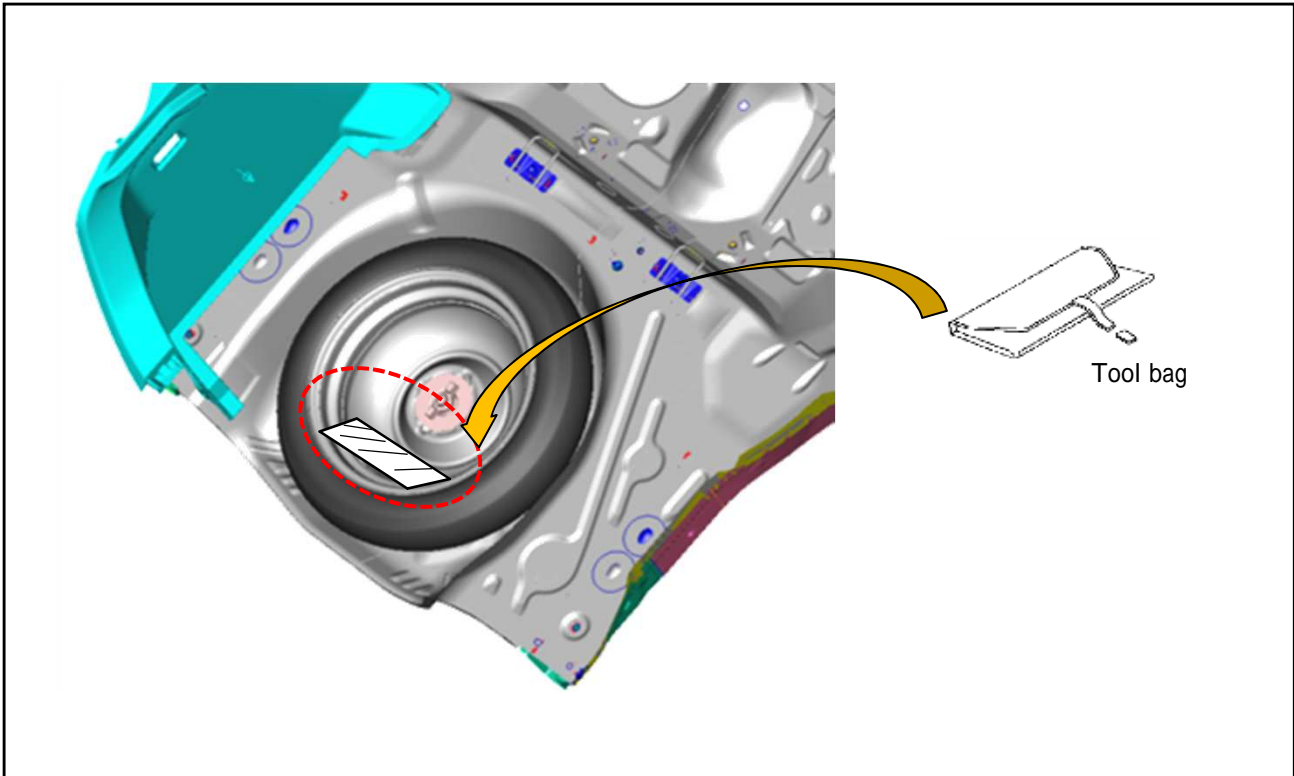


3. Put the spare tire assy , and fix it to the hat bracket on the floor pan using the clamp bolt.

Clamp bolt tightening torque : 5.4 ~ 7.7 [N·m]

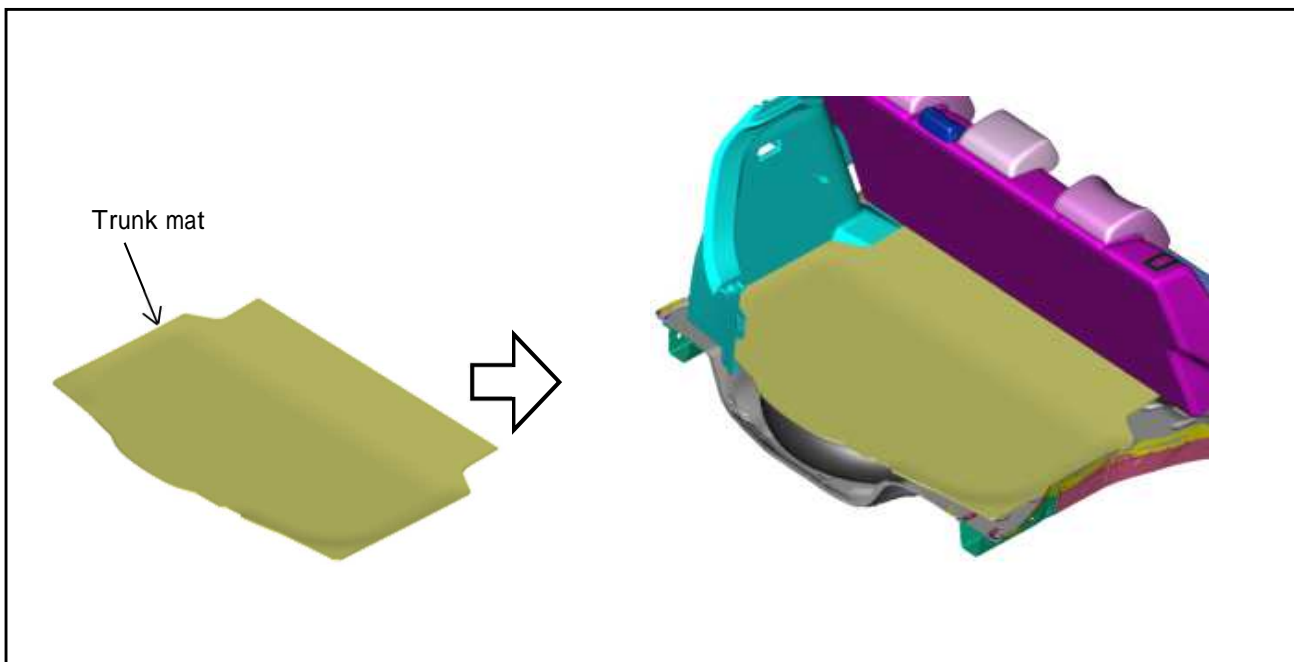


4. Put the tool bag onto the spair tire assy.



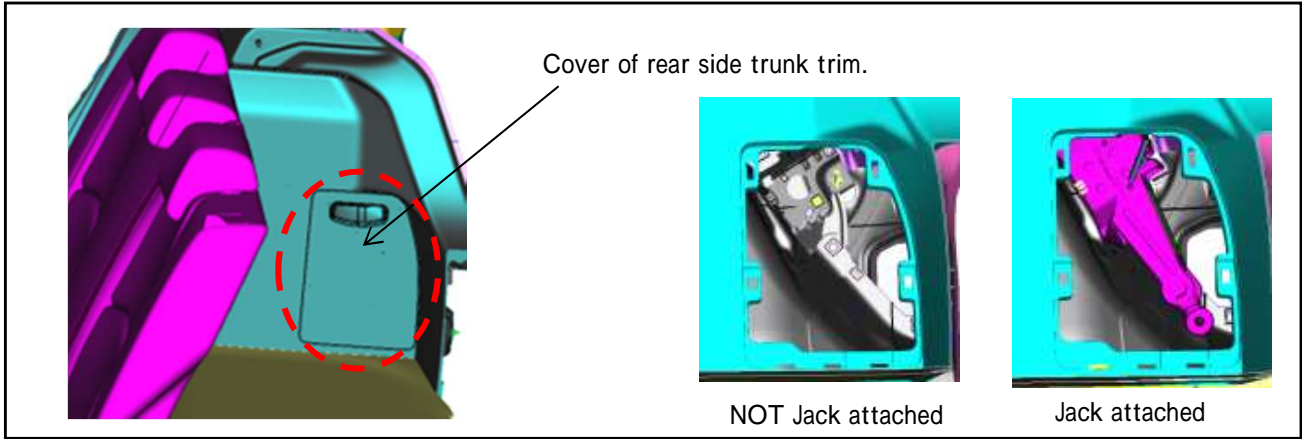
5. Set the new trunk mat on the vehicle.

Keep in mind the original trunk mat CANNOT be reused due to sub trunk removed.

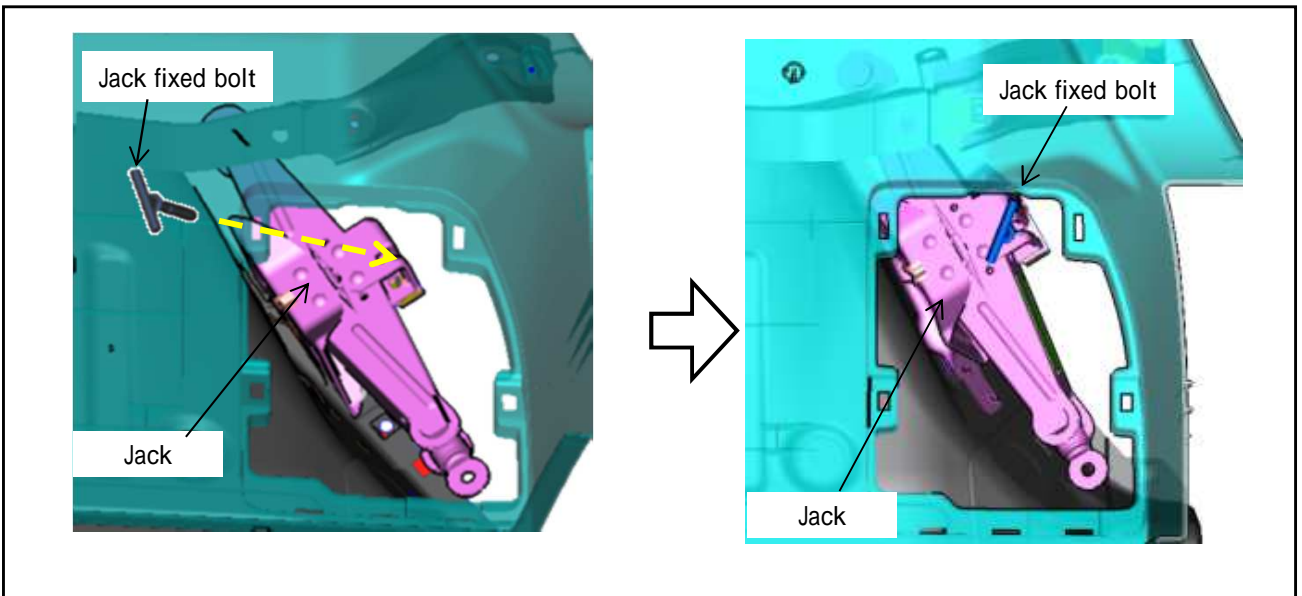


[Note : Jack and Jack fixed bolt may not be equipped to the vehicle.
In this case you have to purchase them and attach to the vehicle]

1. Remove the cover of rear side trunk trim.



2. Put the jack as shown in the following figure, and fix the jack to the vehicle using the Jack fixed bolt.



3. Set the cover of rear side trunk trim.