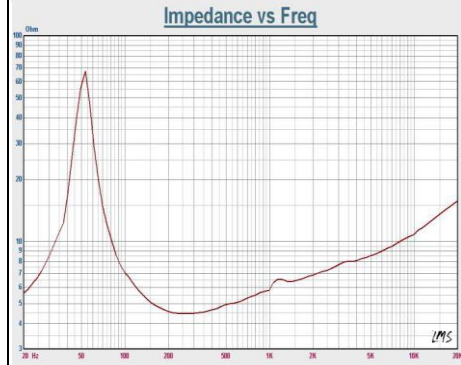
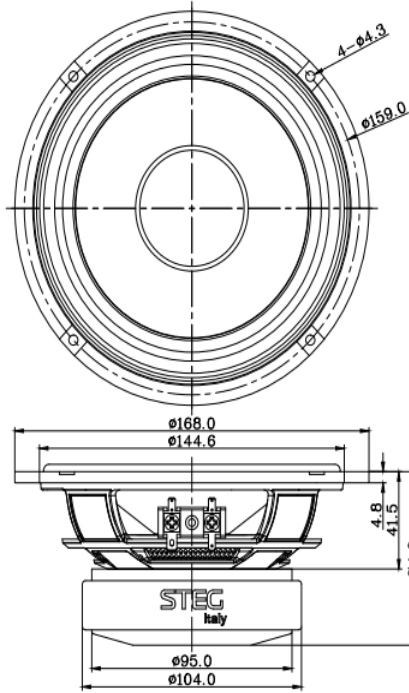


Speaker Model:ST650C-WF

IAPHRAGM MTL: Rubber+Paper  
 NOMINAL IMPEDANCE: 4.0±15Ω  
 DCR IMPEDANCE: 3.6±10Ω  
 SENSITIVITY 1W/1M: 88.0±3 dB  
 FREQUENCY RESPONSE: 46-10K Hz  
 FREE AIR RESONANCE: 46±20% Hz  
 VOICE COIL DIAMETER: 30.5 mm  
 RATED POWER INPUT: 40 W  
 MAXIMUM POWER INPUT: 80 W  
 MAGNET WEIGHT (OZ): Ferrite  
 FERRO FLUID ENHANCED: NO  
 Qms: 11.  
 Qes: 54  
 Qts: 47  
 BL: 8.



Speaker Model:ST650C-TW

IAPHRAGM MTL: SILK  
 NOMINAL IMPEDANCE: 6.0±15Ω  
 DCR IMPEDANCE: 6.0±10Ω  
 SENSITIVITY 1W/1M: 90.0±3 dB  
 FREQUENCY RESPONSE: 1400-20K Hz  
 FREE AIR RESONANCE: 1400±20% Hz  
 VOICE COIL DIAMETER: 25.5 mm  
 RATED POWER INPUT: 20 W  
 MAXIMUM POWER INPUT: 40 W  
 MAGNET WEIGHT (OZ): NEO  
 FERRO FLUID ENHANCED: YES

