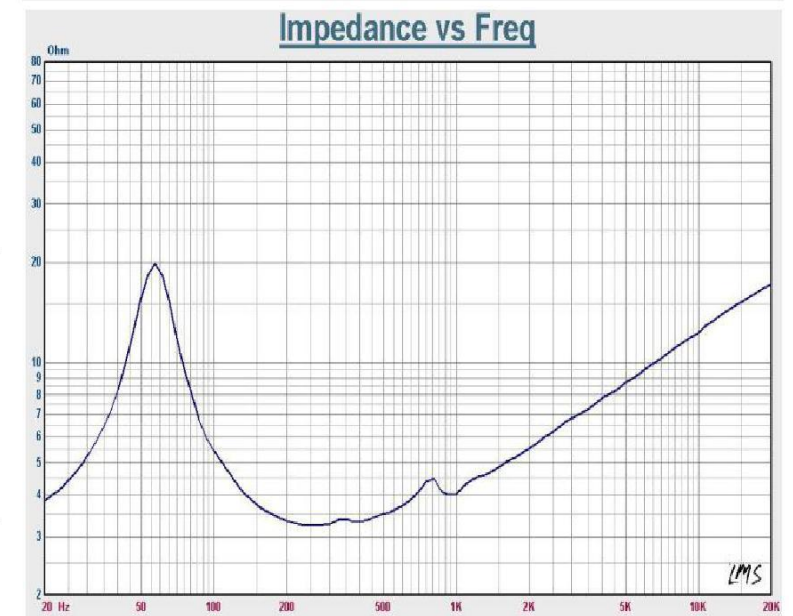
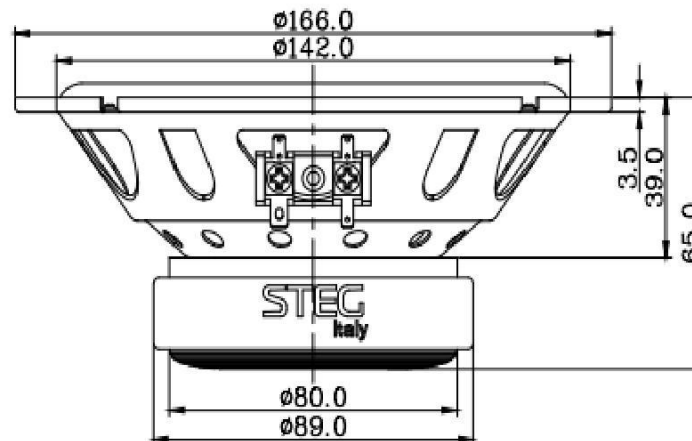
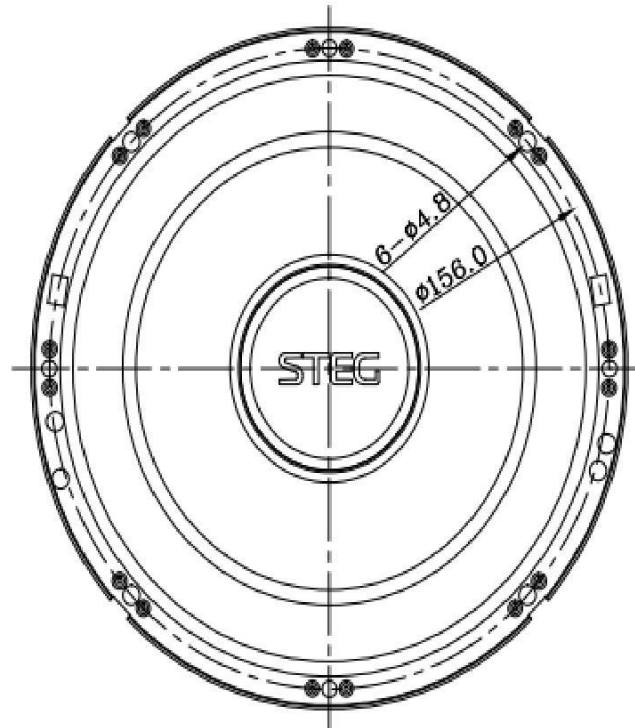


Speaker Model: **SQ 650C- WF**

IAPHRAGM	MTL: Rubber+Paper
NOMINAL IMPEDANCE:	4.0±15% Ω
DCR IMPEDANCE:	3.6±10% Ω
SENSITIVITY 1W/1M:	87.0±3 dB
FREQUENCY RESPONSE:	60-10K Hz
FREE AIR RESONANCE:	60±20% Hz
VOICE COIL DIAMETER:	25.5 mm
RATED POWER INPUT:	120 W
MAXIMUM POWER INPUT:	160 W
MAGNET WEIGHT(OZ):	Ferrite
FERRO FLUID ENHANCED:	NO
Qms:	4.09
Qes:	0.65
Qts:	0.56
BL:	4.5TM



Speaker Model: SQ 650C-TW

IAPHRAGM MTL: Silk+AL
 NOMINAL IMPEDANCE: 4.0±15% Ω
 DCR IMPEDANCE: 3.6±10% Ω
 SENSITIVITY 1W/1M: 89.0±3 dB
 FREQUENCY RESPONSE: 1800-20K Hz
 FREE AIR RESONANCE: 1800±20% Hz
 VOICE COIL DIAMETER: 25.4 mm
 RATED POWER INPUT: 15 W
 MAXIMUM POWER INPUT: 30 W
 MAGNET WEIGHT(OZ): NEO
 FERRO FLUID ENHANCED: YES

