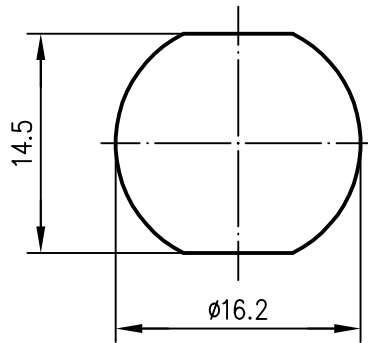


Montagecode  
**Z21**  
assembly code

# Panel Piercing Montageausschnitt

Montagecode  
**Z21**  
assembly code



Index index	Änderung modification	Datum date	Name name

Original original	A4	Blatt sheet	1/1
----------------------	----	----------------	-----

	Datum date	Name name
Gez. drawn	06.04.99	BA
Gepr. app'd	28.06.99	KL

Maßstab scale	2:1
------------------	-----

--

Untert. Art	TG-Nr. T00100Z0021
----------------	-----------------------

Ersatz für/replacement for
----------------------------

