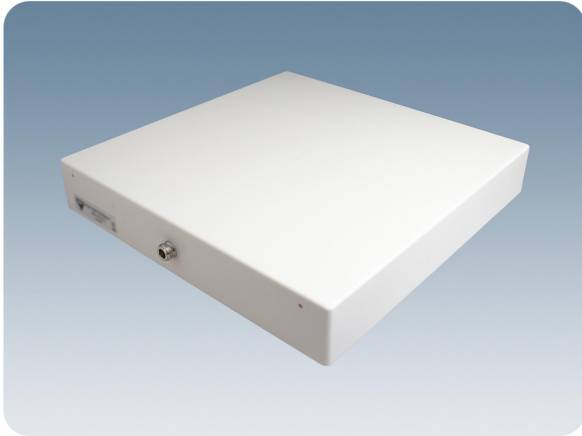


PCPO xH/TETRA/...

Outdoor Left or Right Hand Circularly Polarized Patch Antennas for mounting on Wall or Mast

DESCRIPTION

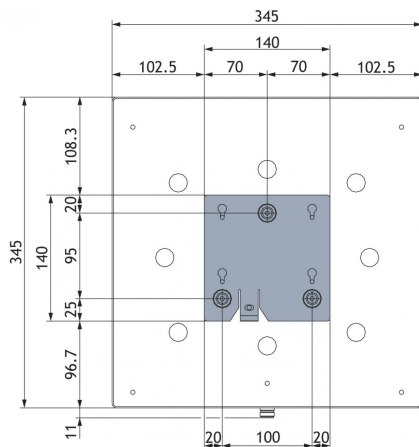
- Low-profile antenna for the 380 - 470 MHz band.
- PCPO xH/TETRA/... is a Left or Right Hand Circularly Polarized patch antenna for outdoor use.
- Circular polarization is chosen to avoid out-of-phase signals.
- Reduces flutter considerably.
- Covers approx. 50 MHz with a radiation of approx. 7 dBic.
- The antennas are carefully sealed with a discrete cover.
- The connector is placed at one side to enable mounting close to a wall.
- Including wall mounting bracket. PATCH-MAMO and PATCH/WAMO to be ordered separately.



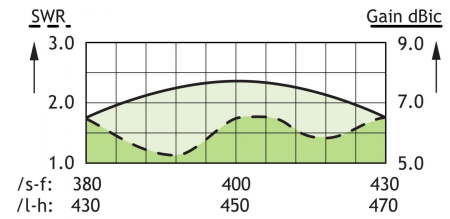
ORDERING DESIGNATIONS

TYPE	FREQUENCY	PRODUCT NO.
PCPO RH/TETRA/s-f	380 - 430 MHz	100000428
PCPO LH/TETRA/s-f	380 - 430 MHz	100000427
PCPO RH/TETRA/l-h	430 - 470 MHz	100000443
PCPO LH/TETRA/l-h	430 - 470 MHz	100000444
ACCESSORIES		
PATCH-MAMO		100000447
PATCH-WAMO		100000511

MOUNTING DETAILS (wall mounting bracket included)



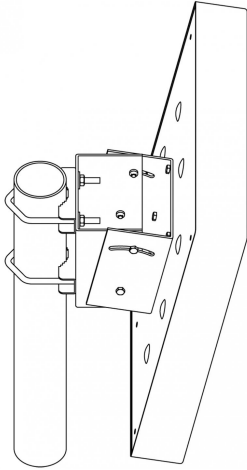
TYPICAL GAIN AND SWR CURVES



SPECIFICATIONS

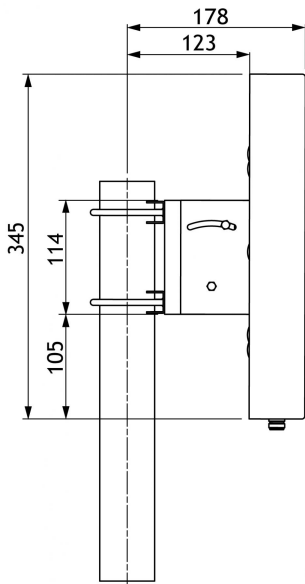
ELECTRICAL	
MODEL	PCPO xH/TETRA/...
ANTENNA TYPE	Left or right hand circularly polarized patch antenna
FREQUENCY	380 - 470 MHz covered by two models
IMPEDANCE	Nom. 50 Ω
POLARIZATION	Circular
GAIN	Approx. 7 dBic
BANDWIDTH	\geq 50 MHz
HALF-POWER BEAMWIDTH	Approx. 80° (H- and E-plane)
SWR	\leq 2
MAX. POWER	100 W
MECHANICAL	
TEMP. RANGE	-30° C \rightarrow +75° C
CONNECTOR	N-female
WIND LOAD	173 N @ 160 km/h / 173 N @ 100 mph.
COLOUR	Marine white
MATERIALS	Cover: ABS (white) Chassis: Aluminium
SIZE (L x W x H)	Approx. 345 x 345 x 60 mm / 13.58 x 13.58 x 2.36 in.
WEIGHT	Approx. 2.3 kg / 5.07 lb.
MOUNTING	For mounting on wall \varnothing 5 mm (three holes) (see mounting details) or mast on 40 - 55 mm / 1.57 x 2.17 in. dia. mast tube.

Mast mounting bracket: PATCH-MAMO (ordered separately)

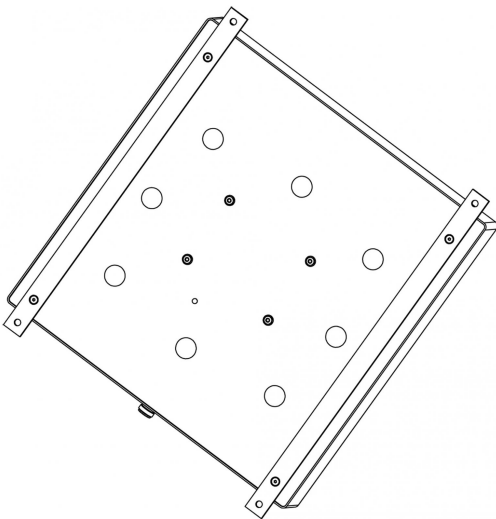


Tilt adjustable from +5°/-30°.

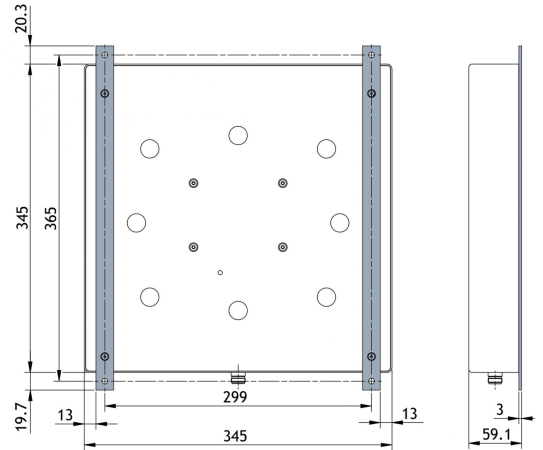
MOUNTING DETAILS (PATCH-MAMO)



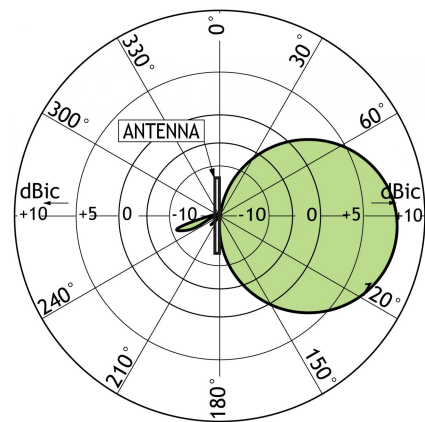
Wall mounting bracket: PATCH-WAMO (ordered separately)



MOUNTING DETAILS (PATCH-WAMO)

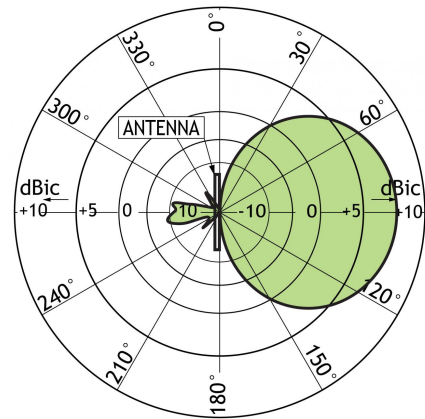


TYPICAL RADIATION PATTERN (E-PLANE)



This curve shows the radiation patterns in the vertical plane.

TYPICAL RADIATION PATTERN (H-PLANE)



This curve shows the radiation patterns in the horizontal plane (horizontal coverage).



PROCOM A/S reserve the right to amend specifications without prior notice.

12/03/15