

Diplexer for the 0 - 225 MHz and 330 - 1300 MHz Rangers

DESCRIPTION

- > Diplexer for combining or splitting the two ranges 0 - 225 MHz and 330 - 1300 MHz.
- > Excellent wide-band coverage.
- > Can be used to combine e.g. VHF LMR and TETRA/GSM on a common multiband antenna.
- > Smaller model in milled aluminium box.
- > Extraordinarily high mechanical strength.
- > Black vinyl-coated to prevent corrosion.
- > Provided with brackets for panel mounting.
- > N-connections on all ports.



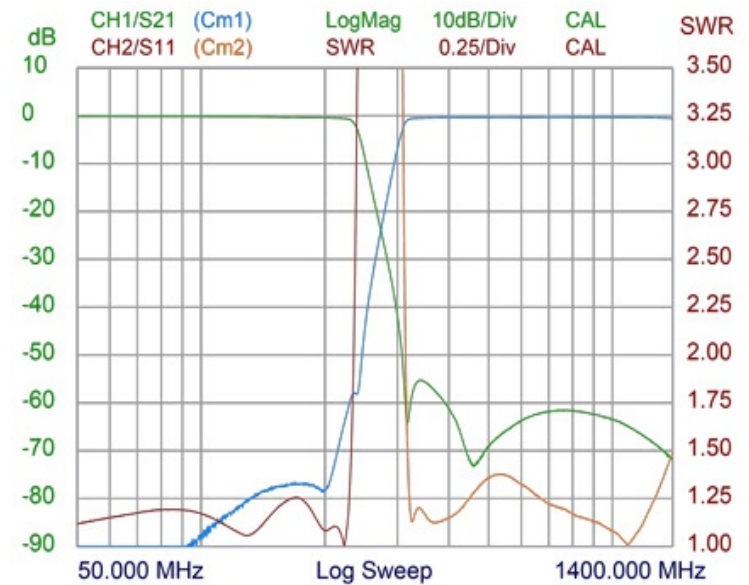
SPECIFICATIONS

Electrical	
Model	PRO-DIPX 225/330-N XS
Frequency	Ant - low port : 0 - 225 MHz Ant-high port : 330 - 1300 MHz
Max. Input Power	35 W
Insertion Loss	0 - 225 MHz : ≤ 0.8 dB 330 - 1300 MHz : ≤ 0.8 dB
Impedance	50 Ω
Isolation	Low to high port : ≥ 45 dB
VSWR	LOW port : < 1.5:1 HIGH port : 300 - 1000 MHz : < 1.5:1 HIGH port : 1000 - 1300 MHz : < 1.8:1
Mechanical	
Connection(s)	Low : N High : N Antenna : N
Dimensions	96 x 80 mm x 32 mm / 3.78 x 3.15 x 1.26 in. (incl. connectors and flanges)
Weight	Approx. 0.35 kg / 0.77 lb.
Mounting	4.2 mm dia (4 holes)
Environmental	
Operating temperature range	-30 °C to +60 °C
Ingress Protection	IP64

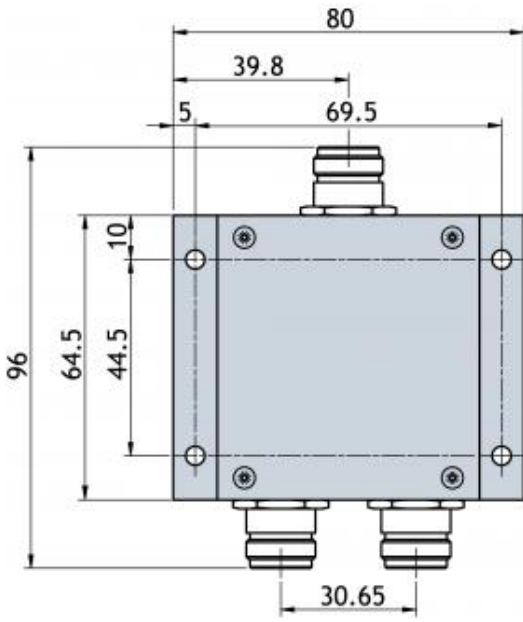
ORDERING

Model	Product No.
PRO-DIPX 225/330-N XS	200002166

TYPICAL RESPONSE CURVE



MOUNTING DETAILS



All dimensions are given in mm.

INSTALLATION

The PRO-DIPX 225/330-N XS makes it possible to use only one antenna for the operation of two transceivers (one in each range). See the figure below. The antenna must be a dual-frequency antenna, i.e. it must be resonant on the actual frequencies in the two bands.

The transceivers may be used independently and will have no degrading influence on each other. Typically, the diplexer is installed next to the transceivers and only one cable is used between the diplexer and the antenna. The diplexer is suitable both for base station and mobile use.

The main tasks of the diplexer are to protect the individual receiver input from being destroyed by the transceiver in the contrary band and to ensure a low-loss path between the transceiver and the antenna which is not loaded by the other branch.

The diplexer can be operated together with any set of transceivers operating within the 0 - 225 MHz and 330 - 1300 MHz frequency bands.

Dual-frequency antennas are available for both mobile and base station applications.

