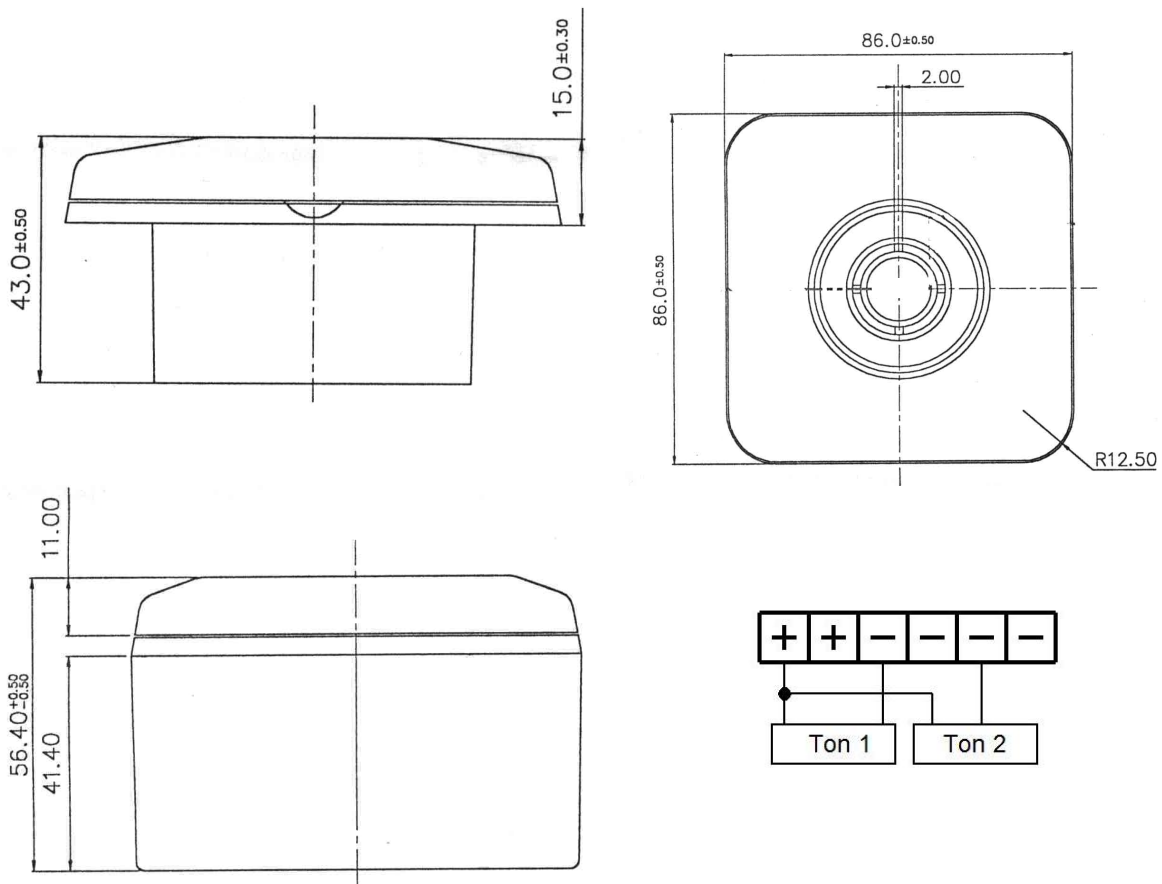



Technische Daten / Technical terms	Bedingungen / Conditions	Werte / Values
Betriebsspannung / Operating Voltage		10 – 30 VDC
Stromaufnahme / Current Consumption	DIN Ton @ 24 VDC	16 mA ± 3mA
Betriebstemperatur / Operating Temperature		-40...+80 °C
Gewicht / Weight		0,24kg
Synchronbetrieb / Synchronised Operation		automatically
Schutzart / Ingress protection		IP 65
Gehäusematerial / Housing material	white (RAL9010)	ABS
Lautstärkeregelung / Volume control		– 20 dB
Anzahl Töne / No. of tones		28 incl. DIN Tone

Die UP-Version ist geeignet zum Einbau in herkömmliche 60 mm – Schalterdosen.



				Datenblatt / Datasheet	
Scale: --		Drawing No.: STP 20/08/08		G-STAR Mini (Multiton - Sirene) (Multitone – Sounder)	
Designed by:	20.03.08	Jörg Puschban	Index: A		
Released by:	25.08.08	Jörg Puschban	Page: 1 of 1		

Tonart Tone description	No.	Code 12345	2 nd tone	Stromaufnahme		Lautstärke SPL	
				mA ± 3dB		dB(A) ± 3dB	
				12 VDC	24 VDC	12 VDC	24 VDC
800 - 1000Hz, Alternating (250ms – 250ms)	1	00000	21	9	18	90	99
655Hz, Intermittent (1.8s ON – 1.8s OFF)	2	00001	2	6	13	90	98
2400 - 2900Hz, Alternating (250ms – 250ms)	3	00010	22	12	25	102	113
1000Hz Intermittent (0.5s ON, 0.5s OFF X3, 1s OFF)	4	00011	18	10	24	86	94
2400 – 2900Hz, Sweeping (7Hz)	5	00100	22	12	23	97	105
655Hz, Intermittent (0.5s ON – 0.5s OFF)	6	00101	6	8	14	90	99
1000Hz, Intermittent (0.25s ON, 1s OFF)	7	00110	21	7	11	83	93
800 - 1000Hz, Sweep, (1Hz)	8	01000	21	9	16	94	101
655Hz, Continuous	9	01001	9	8	13	90	99
800 - 1000Hz, Alternating (0.5s – 0.5s)	10	01010	21	9	17	91	97
1400 – 2000Hz, Sweep (10Hz)	11	01011	11	13	26	93	101
500 -1200Hz, Slow Whoop, (3.5s ON - 0.5s OFF)	12	01100	21	9	15	92	100
800 - 1000Hz, Fast Sweep (50Hz)	13	01101	21	9	15	90	98
440Hz (100ms) and 554Hz (400ms), Alternating	14	01110	21	7	12	87	95
800 – 1000Hz, Fast Sweep, (7Hz)	15	10000	21	9	15	91	99
655Hz, Intermittent (6.5s ON – 13s OFF)	16	10001	16	7	12	89	98
1000Hz, Intermittent (1s ON – 1s OFF)	17	10010	21	9	15	85	95
2900Hz Intermittent (0.5s ON, 0.5s OFF X3, 1s OFF) ISO 8201	18	10011	4	14	25	103	115
2400 – 2900Hz, Sweep, (1Hz)	19	10100	22	11	22	99	104
2900Hz Intermittent (150ms ON, 100ms OFF)	20	10101	21	10	25	102	110
1000Hz, Continuous	21	10110	21	9	18	87	91
2900Hz, Continuous	22	11000	21	14	27	104	111
440 - 554Hz, Alternating (1s – 1s)	23	11001	23	7	13	89	95
2900Hz, Intermittent (1s ON – 1s OFF)	24	11010	22	13	23	103	111
800 - 1000Hz, Alternating (0.5s – 0.5s)	25	11011	22	9	15	90	97
1200 - 500Hz, Sweep, (1Hz), DIN tone	26	11100	21	8	16	90	98
2400 – 2900Hz, Sweep (50Hz)	27	11101	22	12	22	98	108
655Hz, Intermittent (150ms ON – 150ms OFF)	28	11110	28	4	9	88	96

				Datenblatt / Datasheet			
Scale: --		Drawing No.: STP 20/08/08		G-STAR Mini (Multiton - Sirene) (Multitone – Sounder)			
Designed by:	20.03.08	Jörg Puschban	Index: A				
Released by:	25.08.08	Jörg Puschban	Page: 2 of 2				