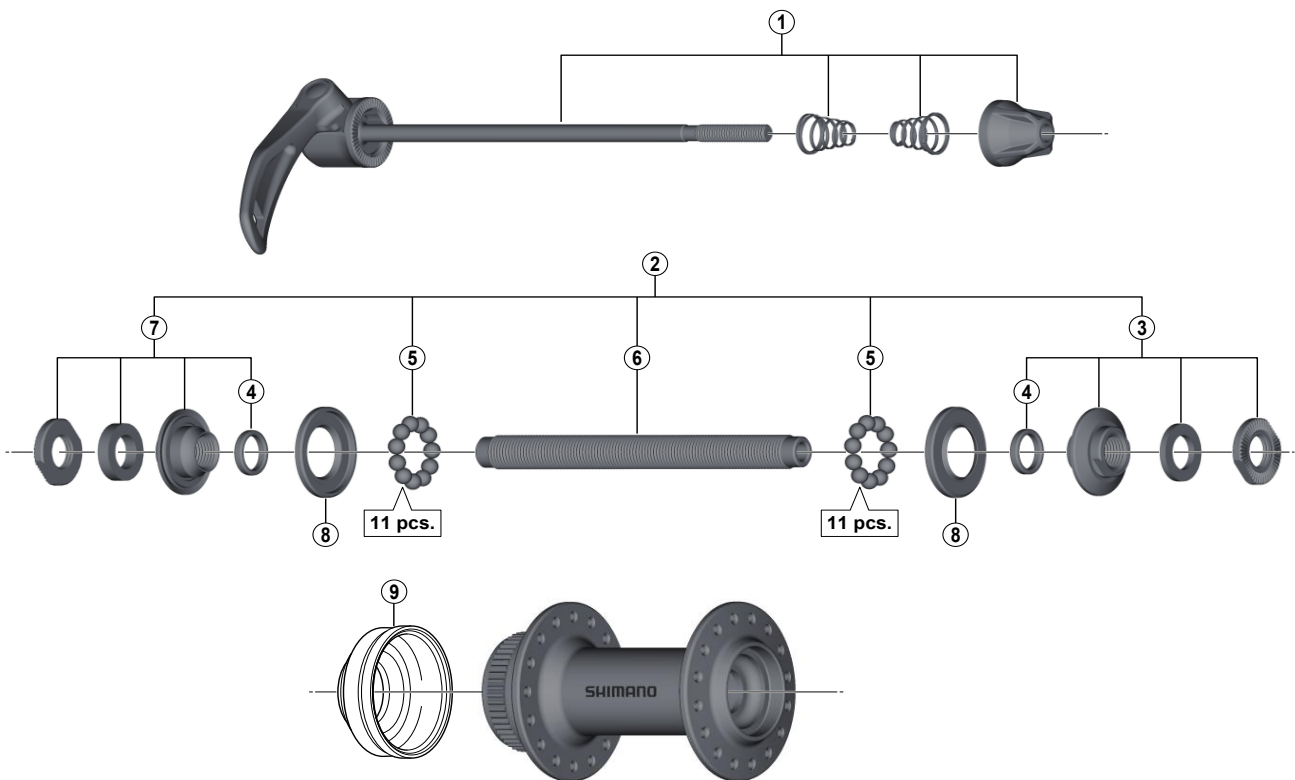


ALIVIO Front Hub (for Disc Brake)

**HB-M4050-S** Silver Version

**HB-M4050-L** Black Version



• Over Lock Nut Dimension: 100 mm (3-15/16")

ITEM NO.	SHIMANO CODE NO.	DESCRIPTION	INTERCHANGEABILITY	
1	Y4SK98100	Complete Quick Release 133 mm (5-1/4")	B	A
2	Y29D98010	Complete Hub Axle 108 mm (4-1/4")	B	
3	Y2TE98040	Right Hand Lock Nut Unit	A	
4	Y2T804000	O-Ring	A	A
5	Y4BB98030	Steel Ball (3/16") 22 pcs.	A	A
6	Y25W03000	Hub Axle M10 x 108 mm (4-1/4")	A	
7	Y29D98020	Left Hand Lock Nut Unit	B	
8	Y2TA06000	Seal Ring	A	A
9	Y25Y06000	Rotor Mount Cover	A	

A: Same parts.

B: Parts are usable, but differ in materials, appearance, finish, size, etc.

Absence of mark indicates non-interchangeability.

Mar.-2014-3682

© Shimano Inc. H

Specifications are subject to change without notice.

**SHIMANO**

HB-M435  
HB-T4000