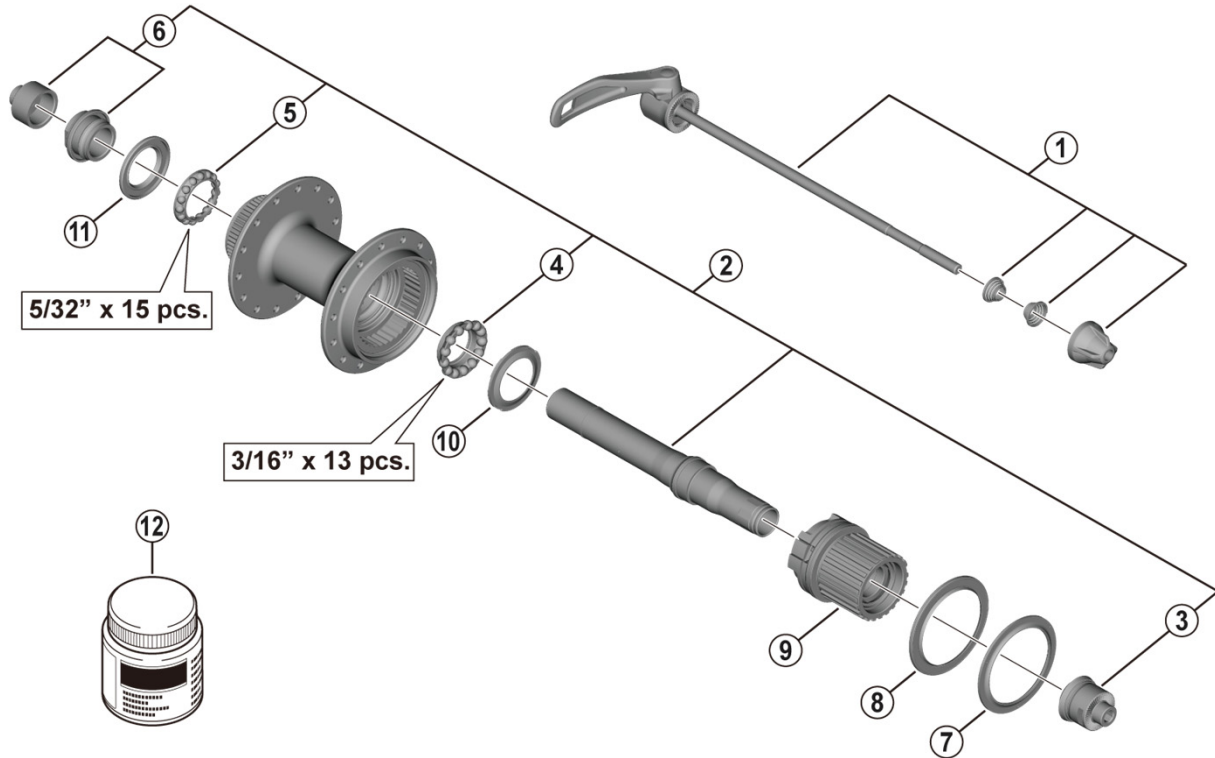


# Freehub (12-Speed) FH-MT500/MT500-B For Disc Brake



• Over Lock Nut Dimension: 135 mm (5-5/16") for FH-MT500 / 141 mm (5-9/16") for FH-MT500-B

ITEM NO.	SHIMANO CODE NO.	DESCRIPTION	FH-MT510		FH-MT510-B	
			INTERCHANGE-ABILITY		INTERCHANGE-ABILITY	
1	Y3GC98010	Complete Quick Release 166 mm (6-17/32") for FH-MT500				
	Y3GC98020	Complete Quick Release 170 mm (6-11/16") for FH-MT500				
	Y3GC98030	Complete Quick Release 172 mm (6-49/64") for FH-MT500-B				
	Y3GC98040	Complete Quick Release 176 mm (6-59/64") for FH-MT500-B				
2	Y3GC98050	Complete Hub Axle 146 mm (5-3/4") for FH-MT500				
	Y3GC98060	Complete Hub Axle 152 mm (5-63/64") for FH-MT500-B				
3	Y3GC98070	Right Hand Lock Nut Unit for Quick Release Type				
4	Y3G198030	Right Hand Ball Retainer (3/16" x 13)	A	A		
5	Y0CJ98030	Ball Retainer (5/32" x 15)	A	A		
6	Y3GC98080	Left Hand Lock Nut Unit				
7	Y3GD10000	OUTER SEAL CAP	A	A		
8	Y3GD11000	OUTER SEALRING	A	A		
9	Y0KD98040	Freewheel Body Unit	A	A		
10	Y3G112000	Inner Cover	A	A		
11	Y26D10000	Seal Ring	A	A		
12	Y3B980000	Grease for FREEHUB 50g	A	A		

A: Same parts.

B: Parts are usable, but differ in materials, appearance, finish, size, etc.

Absence of mark indicates non-interchangeability.

Specifications are subject to change without notice.

Dec.-2019-4549

© Shimano Inc. ITP

# SHIMANO