

ULTIMATE SIX MODELS (CLASSIC, PLUS, FREE, PRO)

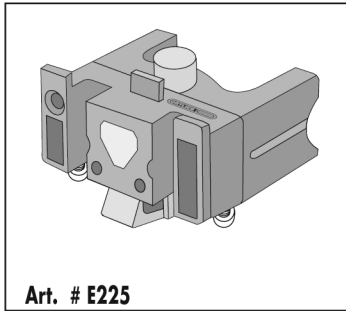


DE	MONTAGEANLEITUNG	LENKERTASCHE
GB	ASSEMBLY INSTRUCTIONS	HANDLEBAR BAG
FR	INSTRUCTIONS DE MONTAGE	SACOCHE POUR GUIDON
IT	ISTRUZIONI DI MONTAGGIO	BORSA DA MANUBRIO
NL	MONTAGE HANDLEIDING	STUURTAS
DK	MONTERINGSVEJLEDNING	STYRTASKE
ES	INSTRUCCIONES DE MONTAJE	BOLSA PARA MANILLAR
SE	MONTERINGS ANVISNING	STYRSTÅNGS VÅSKA
NO	MONTERINGS ANVISNING	STYREVESKE
FI	ASENNUSOHJEET	TANKOLAUKKU
PL	INSTRUKCJA MONTAZU	TOREBKA NA KIEROWNICE
JP	装着方法	ハンドルバーバッグ

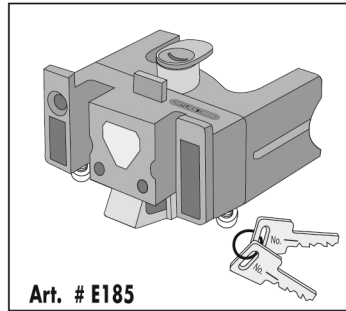


! MOUNTING-SET REQUIRED

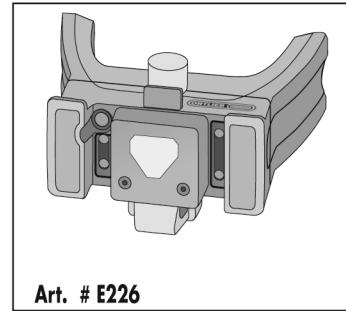
HANDLEBAR MOUNTING-SET



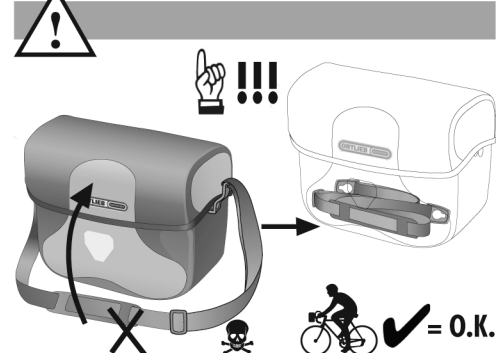
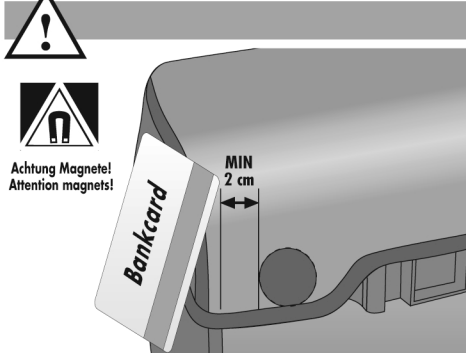
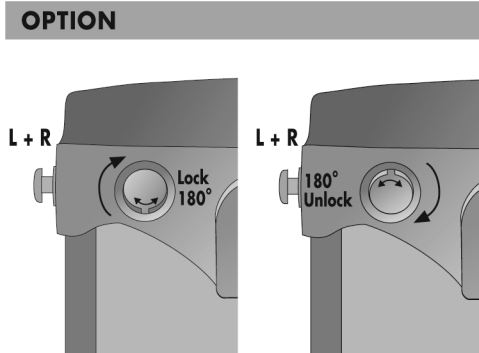
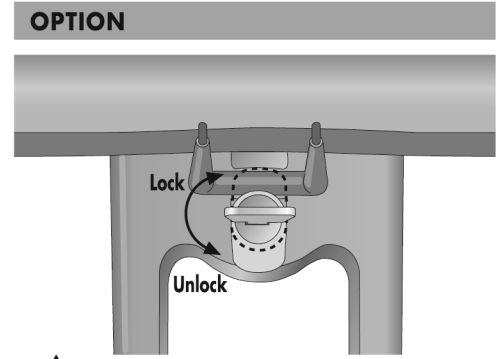
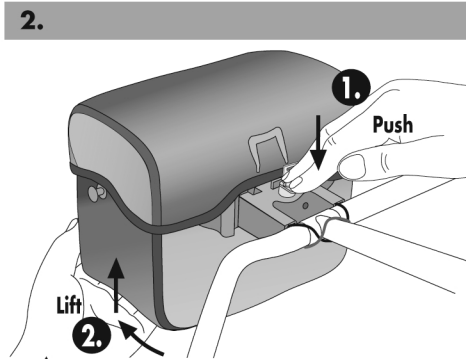
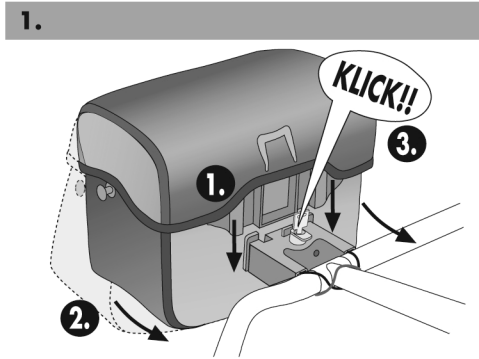
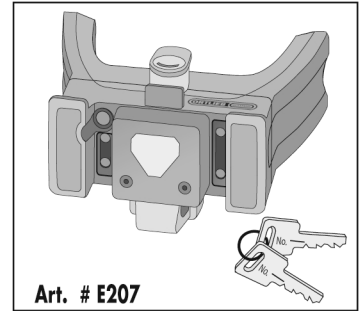
HANDLEBAR MOUNTING-SET WITH LOCK



HANDLEBAR MOUNTING-SET E-BIKE



HANDLEBAR MOUNTING-SET E-BIKE WITH LOCK



! max. 5 kg max. 5 kg

