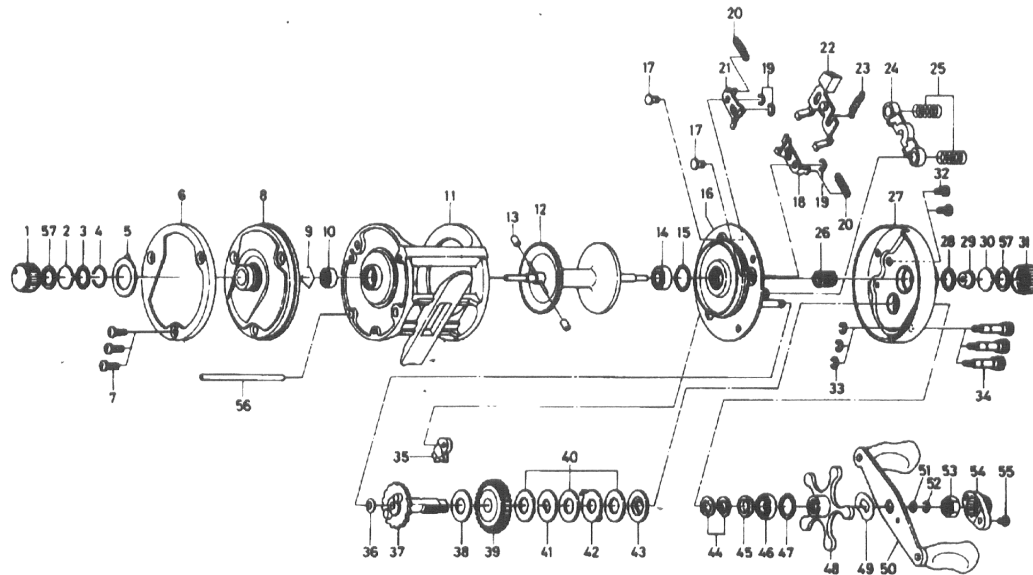


BAITCASTING REEL Millionaire 7HT



Key No.	Parts No.	Parts Name	Key No.	Parts No.	Parts Name
1	E31-5402	Cast control cap A	33	320-5901	Right side plate screw retainer
2	375-7501	Spacer A	34	E46-5401	Right side plate screw B
3	B05-5201	"O" ring A	35	770-0301	Anti-reverse pawl
4	F13-3501	Memory plate retaining ring	36	373-7611	Drive shaft washer A
5	E46-3901	Memory plate	37	E46-5001	Drive shaft
6	E31-8201	Left side outer ring	38	374-9302	Drive shaft washer B
7	E31-7401	Left side plate screw	39	413-8802	Drive gear
8	F08-9301	Left side plate	40	374-9305	Drag washer
9	B09-5601	Bearing retainer	41	374-9401	Key washer A
10	637-2101	Ball bearing A	42	375-8701	Eared washer
11	F08-9601	Frame assembly	43	376-0001	Key washer B
12	F09-0001	Spool assembly	44	150-8901	Drag spring washer
13	B35-2701	Brake collar	45	E20-8501	Ball bearing collar
14	B18-1601	Ball bearing B	46	E15-4001	Ball bearing C
15	171-1001	"O" ring B	47	B68-4402	Bearing washer
16	E46-5601	Set plate	48	E46-5501	Star drag
17	121-6801	Set plate screw	49	150-9001	Friction washer
18	040-4801	Clutch trip plate A	50	E30-5201	Handle assembly
19	320-8202	Clutch trip plate retainer	51	B55-4301	Handle nut washer
20	142-8503	Clutch trip plate spring	52	B33-9801	Handle nut retainer
21	040-4701	Clutch trip plate B	53	B43-3601	Handle nut
22	B33-7302	Yoke plate	54	F05-4401	Handle nut plate
23	142-8502	Yoke plate spring	55	351-1803	Handle nut plate screw
24	833-7501	Yoke	56	E31-6001	Stabilizer bar
25	B33-7601	Yoke spring	57	371-2822	Spacer B
26	B34-0001	Pinion gear			
27	F08-8501	Right side plate			
28	B05-5201	"O" ring C			
29	B64-3101	Bush			
30	375-7501	Spacer A			
31	E31-5401	Cast control cap B			
32	353-1702	Right side plate screw A			