

GENERAL INFORMATION

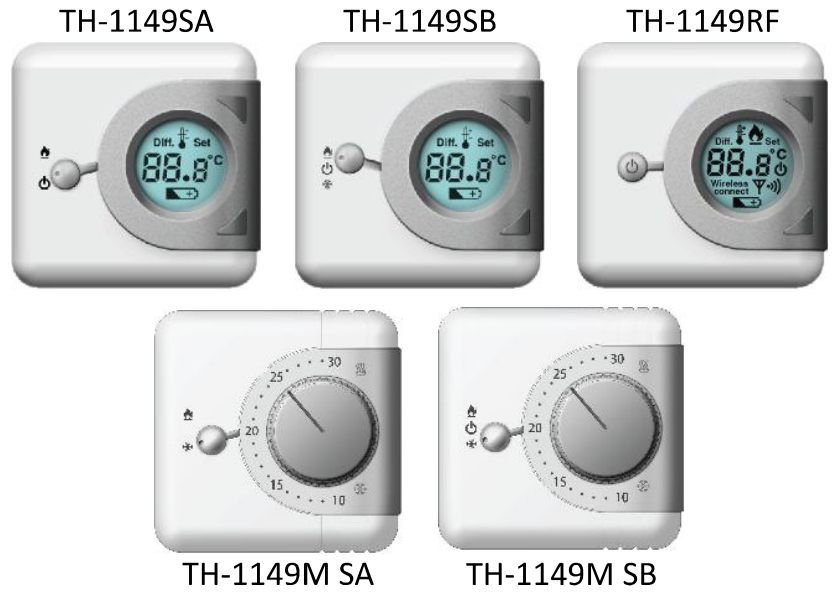
TH-1149 Series Electric Thermostat

Product Overview

The TH-1149 series thermostats are for control the commercial or residential heating and cooling systems. The thermostats come in a sleek and contemporary design that blends with any interior decoration.

A number of configurable parameters enable the TH-1149 thermostats effectively and efficiently control the room temperature.

TH-1149 is ideal for application in single-stage heating and cooling systems, gas or electric heater, Hydronic, forced air and air conditioner.



Model Descriptions

| Characteristics | Model Code | | | | |
|-----------------------------|-------------|-------------|-----------|-----------|-----------------------------|
| | TH-1149M-SA | TH-1149M-SB | TH-1149SA | TH-1149SB | TH-1149RF |
| Mechanical/Quick Knob | ✓ | ✓ | | | |
| Digital Display | | | ✓ | ✓ | ✓ |
| On/Off Switch | ✓ | ✓ | ✓ | | |
| System Switch Heat/Off/Cool | | ✓ | | ✓ | |
| Temperature Control Range | 10~30°C | 10~30°C | 5~35°C | 5~35°C | 5~35°C |
| Standby mode | | | | | ✓ |
| PI & Cycle Rate Selection | | | ✓ | ✓ | ✓ |
| Wireless Capability | | | | | ✓ |
| Compatible Receiver | | | | | RV-6382 RV626 RV-1152 |

Content in the package


- TH-1149 thermostat: 1 unit
- User Guide: 1 set
- Screws & Anchors: 1 set

INSTALLATION AND MAINTENANCE

Guide to batteries replacement & Wiring

Under normal operation, users require to replace batteries once every year, to avoid unnecessary damage that might occur while changing batteries or newly installation of this thermostat.

Battery low warning

When the batteries are almost empty, the symbol  will begin to flash on the screen. The batteries must be replaced or the unit will shutdown

Replacing the batteries

Replacing the batteries requires a flat-headed screwdriver.

To open up top case to replace batteries

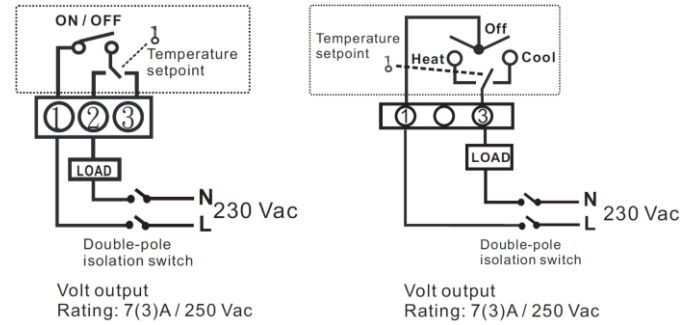
1. Open top plastic case from the side
2. One hand holds the thermostat and another holds flat-head screwdriver, and gently position head of the screwdriver into aperture.
3. Gently lift the handle of screwdriver upward, to open the enclosure.
4. Use two hands to separate the top and bottom housings.
5. Replace the batteries here.

Close top housing after batteries replacement or wiring works

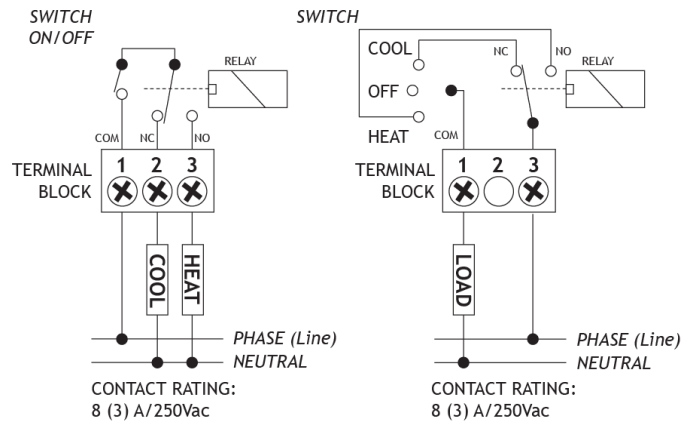
1. Positions two closure-stub at top housing to two slots on the bottom case
2. Close
3. Press firmly to close the thermostat

Proposed application (Wiring)

TH-1149M-SA/TH1149M-SB



TH-1149SB/TH1149SA



Wiring requires a Phillips screwdriver

1. Slacken screw on the bottom plastic housing
2. Connect output terminals to heating system in accordance with instructions printed on protective cover as propose in the diagram below.

Caution

Before commencing any work on the electrical connections, you must first disconnect the device from the mains. None of the 230V connections must be live until the installation has been completed and the housing is closed. Only qualified electricians or authorized service staffs are permitted to open the terminal box.

Caution

There are parts that carry mains voltage behind the cover. The terminal box must not be left unsupervised when open. (Prevent non-specialists and especially children from gaining access to it)

Specifications

- Power Supplies: Battery Powered/2 x AA Alkaline Batteries-(TH-1143SA/TH-1143SB/TH-1143RF Only)
- Power Consumption: 5VA
- Battery Replacement: Once per year
- RF Frequency: 868 MHz or 433 MHz (1143RF Only)
- Temperature Display Range: -10°C~50°C
- Temperature Display Resolution: 0.1°C
- Temperature Control Range:
 - TH-1149SA/SB/RF: 5°C~35°C
 - TH-1149MSA/SB/RF: 5°C~30°C
- Temperature adjustment scale:
 - TH-1149MSA/MSB: 1°C
 - TH-1149SA/SB/RF: 0.2°C
- Selectable Switching Differential (hysteresis):
 - TH-1149MSA/SB: 1.3°C (at 20°C)
 - TH-1149SA/SB/RF: 0.4°C~1.0°C (default 0.6°C)
- Selectable Cycle Rate: 3, 6, 9, or 12 times per hour (TH-1149MSA/SB/RF models only)
- Anti-Freeze Protection: 5°C
- Temperature Sensor: NTC 10K Ohm @ 25°C

Operation Instruction

TH-1149M-SA/TH01149-SB

1. Turn the knob to set the temperature of the setpoint. When the room temperature reaches the desired setting, the unit will function to maintain the set temperature.
2. Select the operation mode to OFF/Heat (For TH-1149M-SA only) or Heat/OFF/Cool (For TH-1149M-SB)

TH-1149SA/ TH-1149SB/TH-1149RF

1. Press “Up” or “Down” arrow keys twice and the LCD will show a flashing temperature with ‘Temperature Set’ symbol.
2. Proceed and press either the “Up” or “Down” arrow key to set a desired temperature. Every time you press the key, the temperature will increase by 0.2°C/F step and press the “Down” arrow key will decrease temperature value by 1°C.

3. When you completed setting the desired temperature, please wait for 5 seconds until the LCD stops flashing and the thermostat starts to operate. When the room temperature reaches the desired setting, the unit will function to maintain the set temperature.

Connect TH-1149RF to Compatible Receivers

1. Press the connect button on the Receiver.
2. The red light on the Receiver will begin to flash.
3. Press the connect button on the TH-1149RF.
4. “Wireless connect” will appear on the screen of the thermostat
5. The thermostat is now connected to the Receiver.