

# Computar M12 Objektiv

## H1328KP

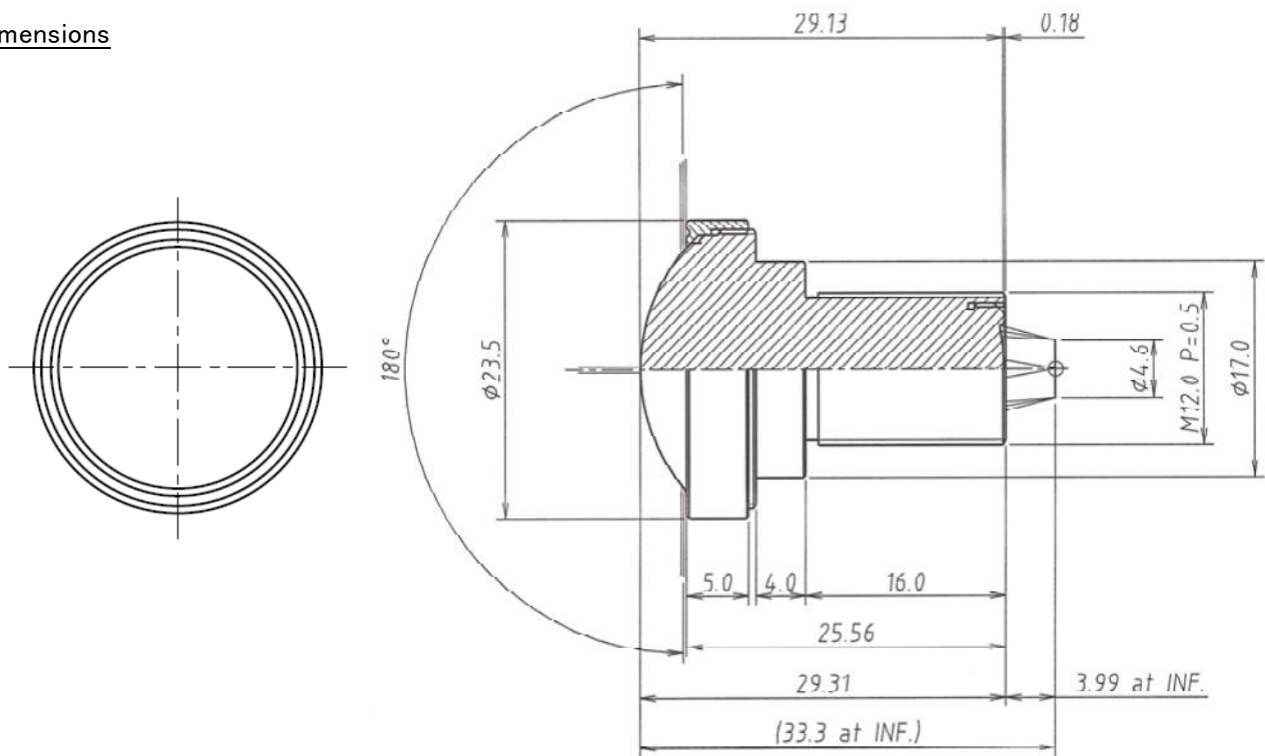
f = 1.3mm F2.8 Megapixel lens  
for 1/2 type Format Board Cameras, Fisheye, No Iris

Model No.	H1328KP		Effective Lens Aperture	Front	φ 19.5mm	
Focal Length	1.3mm			Rear	φ 7.0mm	
Max. Aperture Ratio	1:2.8		Distortion		-99.4% (γ=2.3)	
Image Size at 180°	φ 4.6		Back Focal Length		4.17mm	
Operation Range	Iris	—		Flange Back Length		
	Focus	0.05m - Inf.		Mount		
Object Dimension at M.O.D.	1/2 type	-		Dimensions		
	1/3 type	-		Weight		
Coating	MgF2 Single Coat (All Surfaces λ = 510nm)					
Angle of View	D	1/2 type	-	1/3 type	-	1/4 type
	H	Fisheye	-		180.0°	177.3°
	V		180.0°		151.0°	117.6°

1/2 inch

M12 P=0.5

### Dimensions



ImmerVision Enables Compatible.  
Specification is subject to change without any notice.

01/07/2014