

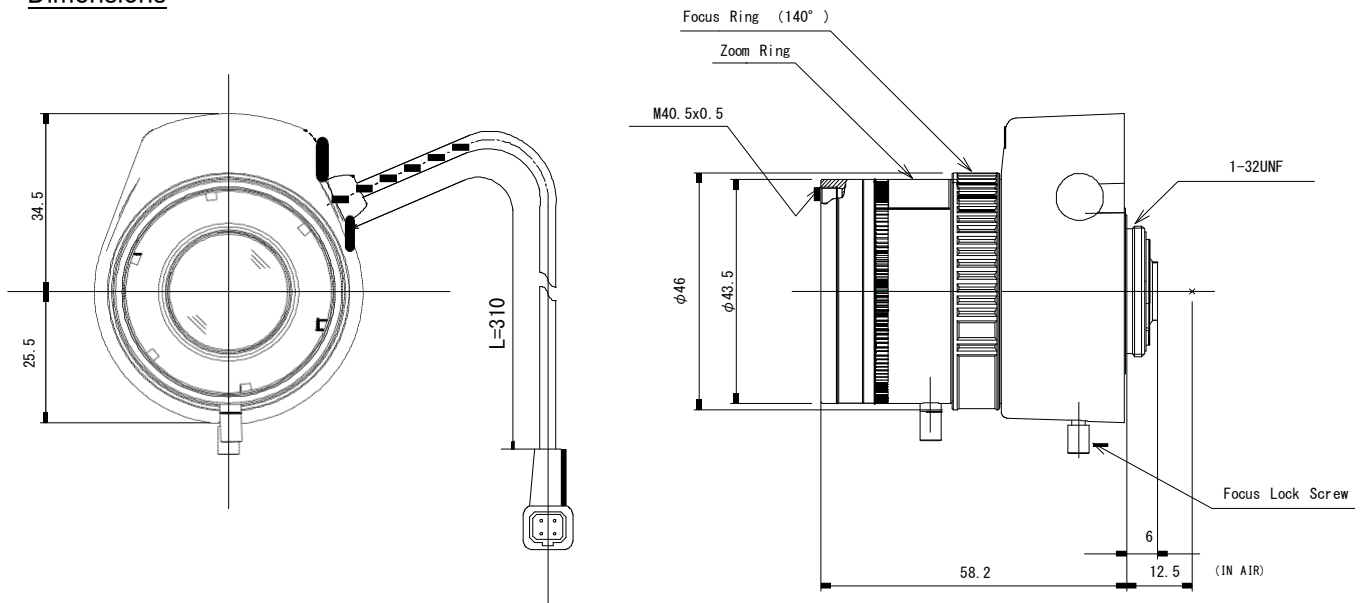
Computar Megapixel Objektiv

AG4Z1214FCS-MPIR

4X 12.5mm-50mm F1.4 Day & Night
for 1/2.7 type Megapixel Cameras, Vari-focal Auto Iris DC Drive
CS-Mount

Model No.	AG4Z1214FCS-MPIR			Effective	Front	φ 21.7mm	
Focal Length	12.5mm - 50mm			Lens Aperture	Rear	φ 9.1mm	
Max. Aperture Ratio	1:1.4			Back Focal	Tele	7.3mm	
Max. Image Format	3.2mm x 5.8mm (φ 6.6mm)			Length	Wide	11.6mm	
Operation Range	Iris	F1.4 - F360C		Flange Back Length		12.5mm	
	Focus	1.0m - Inf.		Mount		CS-Mount	
	Zoom	12.5mm - 50mm		Filter Size		M40.5 P=0.5mm	
Control	Iris	DC Auto Iris		Dimensions		φ 46 mm x 60mm x 58.2 mm	
	Focus	Manual		Weight		83g	
	Zoom	Manual					
Angle of View	D	1/2.7 type (16:9)	30.3° - 7.7°	1/2.7 type (4:3)	30.3° - 7.7°	1/3 type (4:3)	27.4° - 7.0°
	H		26.3° - 6.7°		24.0° - 6.2°		21.7° - 5.6°
	V		14.5° - 3.8°		17.8° - 4.7°		16.2° - 4.3°
Coil	Drive	190 Ω / 20°C					
	Control	1310 Ω / 20°C					
Operating Temperature	-10°C - +50°C						

Dimensions



Wiring Diagram

