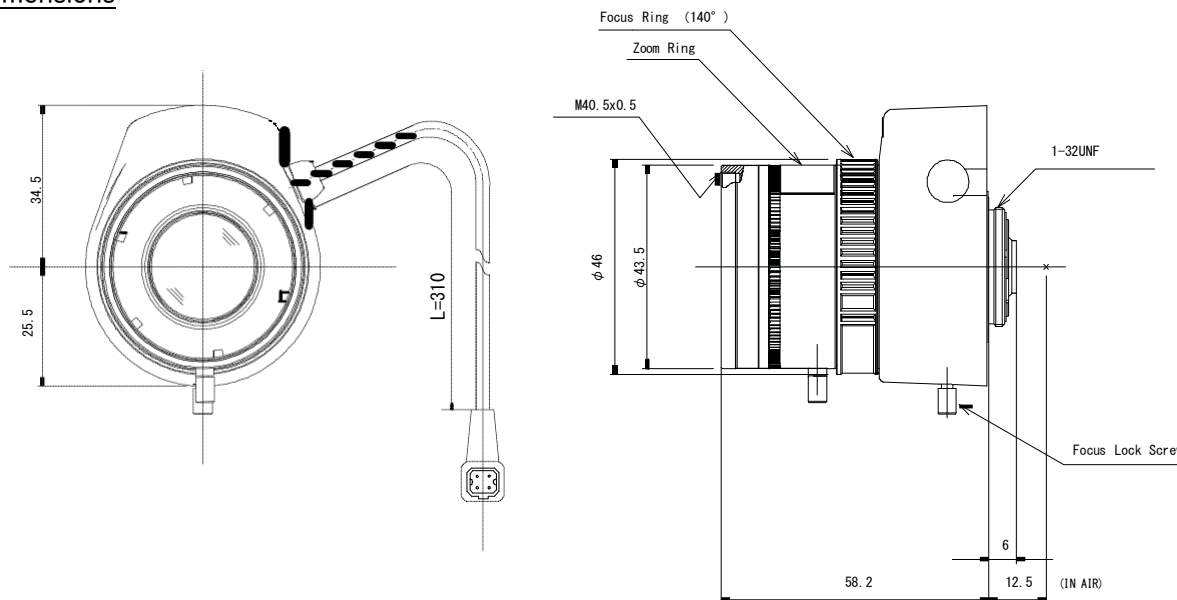


Computar Megapixel Objektiv AG4Z1214KCS-MPIR

4X 12.5mm-50mm F1.4 Day & Night
for 1/2.7 type Megapixel Cameras, Vari-focal Auto Iris Stepping Motor
CS-Mount

Model No.		AG4Z1214KCS-MPIR		Effective	Front	ϕ 21.7mm	
Focal Length		12.5mm - 50mm		Lens Aperture	Rear	ϕ 9.1mm	
Max. Aperture Ratio		1:1.4		Back Focal Length	Tele	7.3mm	
Max. Image Format		3.2mm x 5.8mm(ϕ 6.6mm)			Wide	11.6mm	
Operation Range	Iris	F1.4 - F16C		Flange Back Length		12.5mm	
	Focus	1.0m - Inf.		Mount		CS-Mount	
	Zoom	12.5mm - 50mm		Filter Size		M40.5 P=0.5mm	
Control	Iris	Stepping Motor		Dimensions		ϕ 46 mm x 60mm x 58.2 mm	
	Focus	Manual		Weight		81g	
	Zoom	Manual					
Angle of View	D	1/2.7 type (16:9)	30.3° - 7.7°	1/2.7 type (4:3)	30.3° - 7.7°	1/3 type (4:3)	27.4° - 7.0°
	H		26.3° - 6.7°		24.0° - 6.2°		21.7° - 5.6°
	V		14.5° - 3.8°		17.8° - 4.7°		16.2° - 4.3°
Operating Temperature		-10°C - +50°C					

Dimensions



Wiring Diagram

