

# Computar Megapixel Objektiv

## AG4Z2812KCS-MPIR

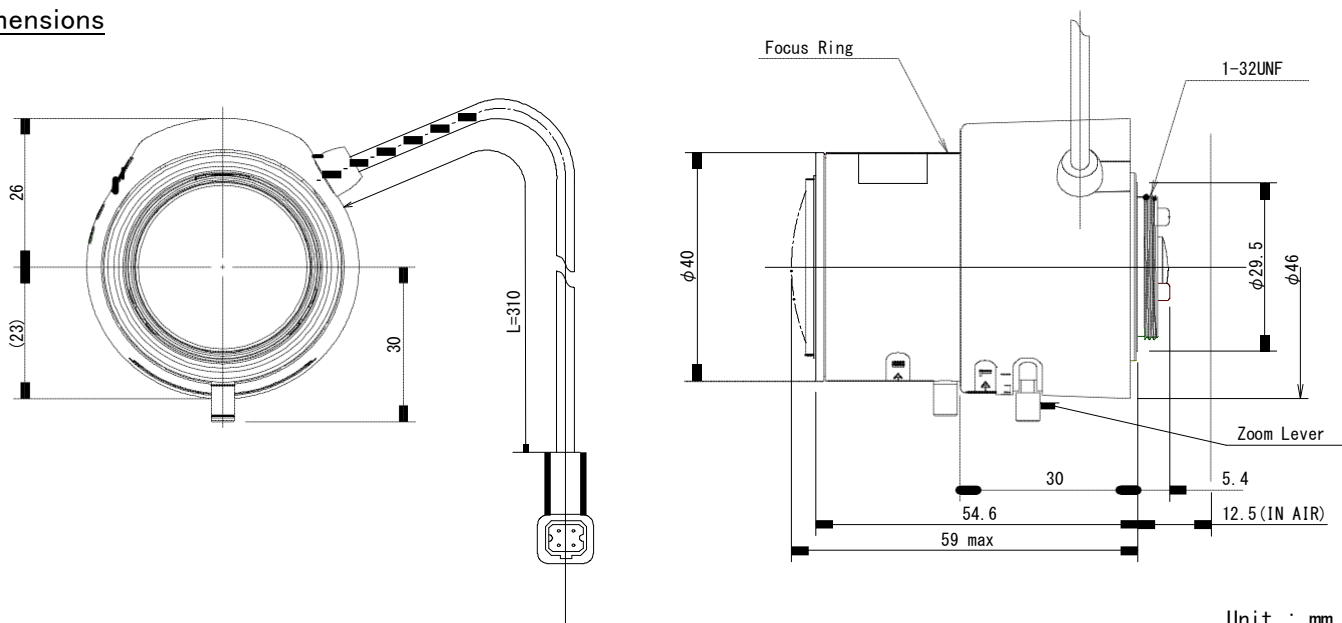
4X 2.8mm-10mm F1.2 Day & Night

for 1/2.7 type Megapixel Cameras, Vari-focal, Stepping Motor Iris

CS-Mount

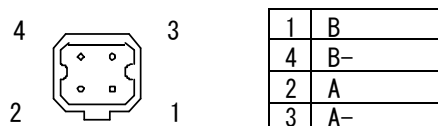
Model No.	AG4Z2812KCS-MPIR		Effective	Front	$\phi$ 27.0mm				
Focal Length	2.8mm - 10mm		Lens Aperture	Rear	$\phi$ 9.7mm				
Max. Aperture Ratio	1:1.2		Back Focal Length	Tele	7.3mm				
Max. Image Format	3.2mm x 5.8mm( $\phi$ 6.6mm)			Wide	7.3mm				
Operation Range	Iris	F1.2 - F16C	Flange Back Length		12.5mm				
	Focus	0.5m - Inf.	Mount		CS-Mount				
	Zoom	2.8mm - 10mm	Filter Size		-				
Control	Iris	Stepping Motor	Dimensions		$\phi$ 40 mm x 49 mm x 59 mm				
	Focus	Manual	Weight		65g				
	Zoom	Manual							
Angle of View	D	1/2.7 type	154.0° - 39.0°	1/3 type	133.5° - 35.5°	1/4 type	94.1° - 26.6°		
	H						127.6° - 34.3°	101.3° - 28.4°	73.7° - 21.3°
	V						65.0° - 18.9°	73.7° - 21.3°	54.4° - 16.0°
Operating Temperature	-10°C - +50°C								

### Dimensions



Unit : mm

### Wiring Diagram



Specification is subject to change without any notice.

2014.09