

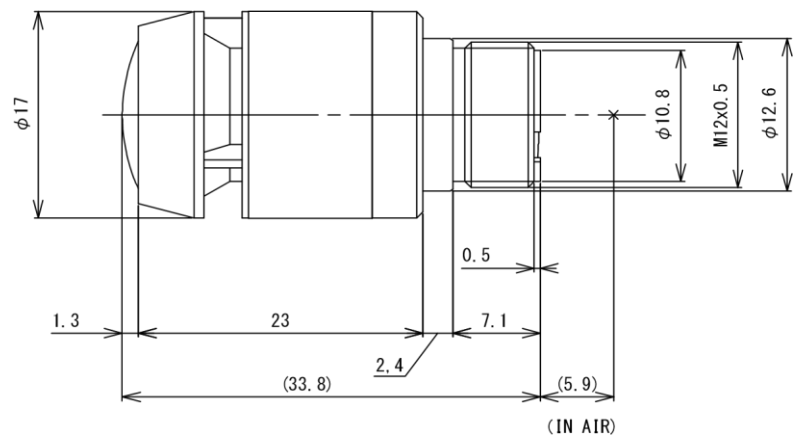
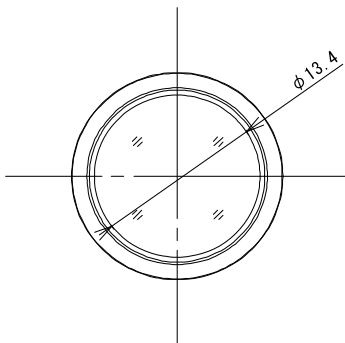
# E3828KRW

f = 3.8mm F2.8 Day & Night

for 1/1.8 type 8 Megapixel Cameras, Fixed-focal

Model No.		E3828KRW		Effective Lens Aperture	Front	φ 12.2mm	
Focal Length		3.8mm			Rear	φ 7.4mm	
Max. Aperture Ratio		1:2.8		Back Focal Length		6.0mm	
Max. Image Format		7.1mm x 5.4mm (φ 8.9mm)		Flange Back Length		—	
Operation Range	Iris	—		Mount		M12 P=0.5mm	
	Focus	—		Dimensions		φ 17 × 33.8	
				Weight		9.0 g	
Angle of View	D	1/1.8 type	132.6°	1/1.9 type (17:9) 7.6mm × 4.0mm	127.7°	1/2.3 type (16:9) 6.4mm × 3.6mm	110.3°
	H		106.9°		113.5°		96.4°
	V		80.7°		60.3°		54.4°
	D	1/2 type	119.6°	1/3 type	90.3°		
	H		96.2°		72.4°		
	V		72.4°		54.3°		
Operating Temperature		-10°C - +50°C					

Dimensions



2017.01 Specification is subject to change without any notice.