

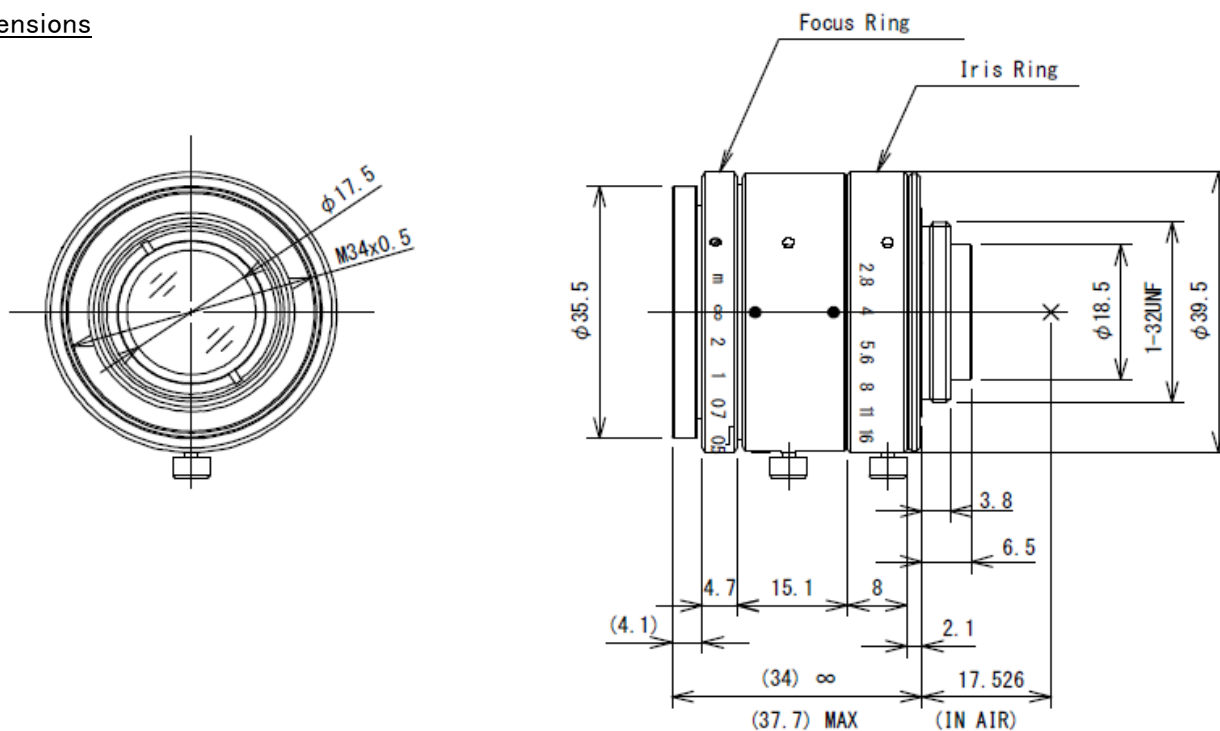
# Computar Machine Vision Objektiv V2528-MPY

f=25mm F2.8  
for 1.1" type 12 Megapixel cameras, Fixed-focal  
C-Mount

Model No.	V2528-MPY		Effective	Front	φ 17.3mm		
Focal Length	25mm		Lens Aperture	Rear	φ 14.2mm		
Max. Aperture Ratio	1:2.8		Distortion	1.1 type	0.3%		
Max. Image Format	14.2mm x 10.4mm(φ 17.6mm)			1 type	0.2%		
Operation Range	Iris	F2.8 - F16.0		2/3 type	0.1%		
	Focus	0.3m - Inf.	Back Focal Length		11.3mm		
Control	Iris	Manual	Flange Back Length		17.526mm		
	Focus	Manual	Mount		C-Mount		
Object Dimension at M.O.D.	1.1 Type	16cm x 12cm	Filter Size		M34.0 P=0.5mm		
	1 Type	14cm x 11cm	Dimensions		φ 39.5mm x 34mm		
	2/3 Type	10cm x 7cm	Weight		78.6g		
Angle of View	D	1.1 Type	38.7°	1 Type	35.4°	2/3 Type	24.8°
	H		31.7°		28.7°		20.0°
	V		23.5°		21.7°		15.0°
Operating Temperature	-10°C - +50°C						

M.O.D. : Minimum Object Distance

## Dimensions



Specification is subject to change without any notice.

2017.01