

E1222KRY

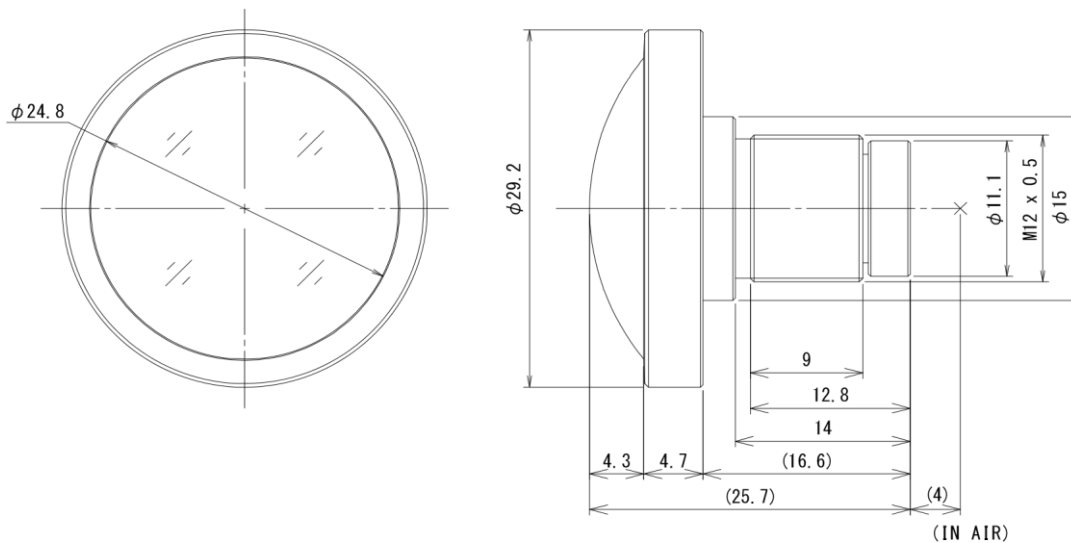
f=1.2mm F2.2 Megapixel lens

for 1/1.7 type Format Board Cameras, Fisheye, No Iris

IR corrective

Model No.	E1222KRY			Effective	Front	φ 24.4mm	
Focal Length	1.2mm			Lens Aperture	Rear	φ 5.6mm	
Max. Aperture Ratio	1 : 2.2			Back Focal Length		4.2mm	
Image Size at 185°	φ 5.38mm			Flange Back Length		-	
Mount	M12 P=0.5mm			Dimensions		φ 29.2mm x 25.7mm	
				Weight		TBD	
Angle of View	D	1/1.7 type	-	1/3 type	-	1/4 type	164.2°
	H	Fisheye	-		171.5°		139.5°
	V		185.0°		139.5°		110.3°
Operating Temperature	-10°C - +50°C						

Dimensions



Unit: mm

ImmerVision Enables Compatible.

Specification is subject to change without any notice. 2016.11