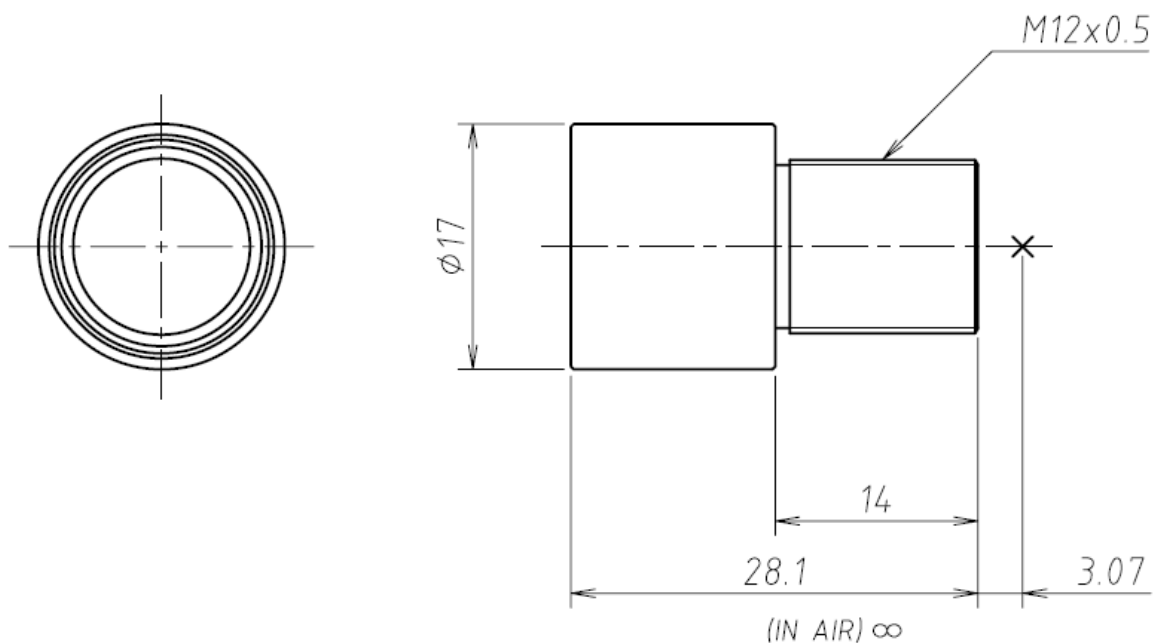


Computar M12 Objektiv E2520KV

f = 25.0mm F2.0 3 Megapixel lens
for 1/1.8 type Format Board Cameras, No Iris

Model No.		E2520KV		Effective	Front	ϕ 12.2mm	
Focal Length		25.0mm		Lens Aperture	Rear	ϕ 8.0mm	
Max. Aperture Ratio		1:2.0		Distortion		+0.02% ($\gamma=4.32$)	
Max. Image Format		6.9mm x 5.2mm(ϕ 8.64mm)		Back Focal Length		9.30mm	
Operation Range	Iris	—		Flange Back Length		—	
	Focus	0.15m - Inf.		Mount		M12 P=0.5mm	
Object Dimention at M.O.D.	1/2 type	3.7cm x 2.7cm (ϕ 4.6)		Dimensions		ϕ 17.0mm x 28.1mm	
	1/3 type	2.7cm x 2.1cm (ϕ 3.4)		Weight		10.0g	
Coating		MgF2 Single Coat (All Surfaces $\lambda = 510\text{nm}$)					
Angle of View	D	1/1.8 type	19.50°	1/2 type	18.10°	1/3 type	13.66°
	H		15.67°		14.55°		10.96°
	V		11.86°		10.96°		8.24°

Dimensions



Specification is subject to change without any notice.

2009.3