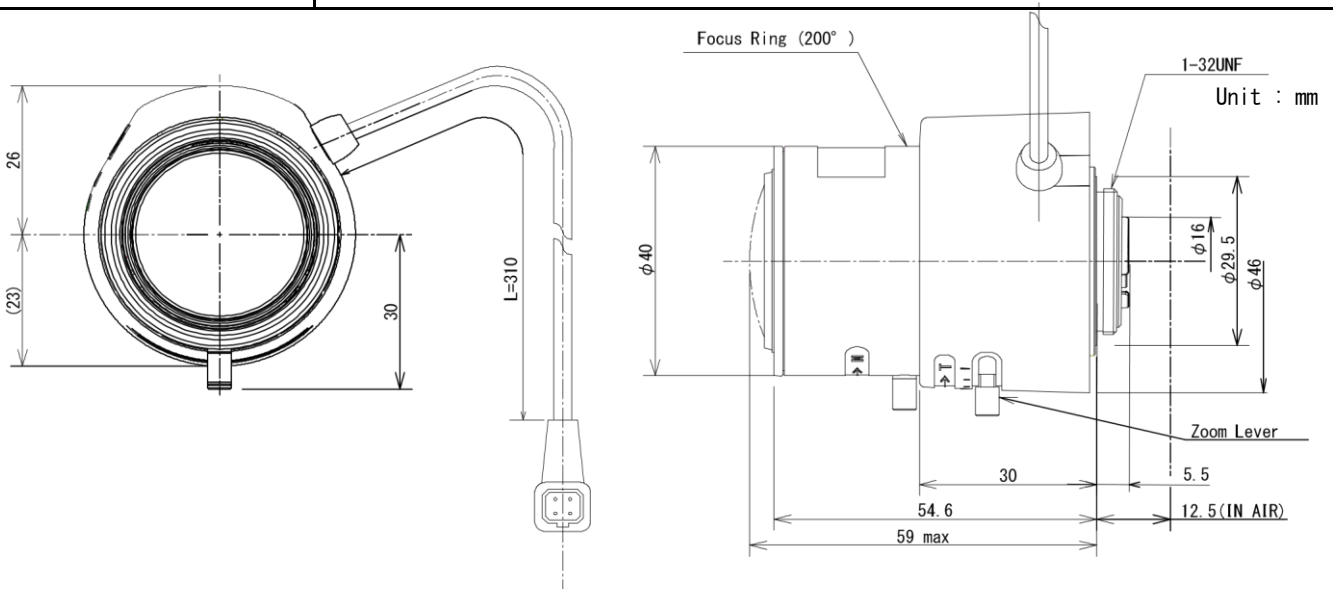


EG3Z3915FCS-MPWIR

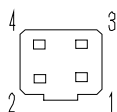
3X 3.9mm-10mm F1.5 Day & Night

for 1/1.8 type Megapixel Cameras, Vari-focal Auto Iris DC Drive CS-Mount

| | | | | | | | |
|-----------------------|---------|------------------------|----------------|--------------------|----------------|-------------------------|---------------|
| Model No. | | EG3Z3915FCS-MPWIR | | Effective | Front | φ 25.0mm | |
| Focal Length | | 3.9mm - 10mm | | Lens Aperture | Rear | φ 10.0mm | |
| Max. Aperture Ratio | | 1:1.5 | | Back Focal Length | Tele | 8.5mm | |
| Max. Image Format | | 7.1mm x 5.4mm(φ 8.9mm) | | | Wide | 8.5mm | |
| Operation Range | Iris | F1.5 - F360C | | Flange Back Length | | 12.5mm | |
| | Focus | 0.8m - Inf. | | Mount | | CS-Mount | |
| | Zoom | 3.9mm - 10mm | | Filter Size | | - | |
| Control | Iris | DC Auto Iris | | Dimensions | | φ 40 mm × 49 mm × 59 mm | |
| | Focus | Manual | | Weight | | 72g | |
| | Zoom | Manual | | | | | |
| Angle of View | D | 1/1.8 type | 144.1° - 52.9° | 1/2 type | 124.8° - 47.5° | 1/3 type | 89.3° - 35.5° |
| | H | | 108.1° - 42.1° | | 96.0° - 37.9° | | 70.2° - 28.4° |
| | V | | 79.7° - 32.0° | | 70.2° - 28.4° | | 52.1° - 21.3° |
| Coil | Drive | 190 Ω /20°C | | | | | |
| | Control | 855 Ω /20°C | | | | | |
| Operating Temperature | | -20°C - +60°C | | | | | |



Wiring Diagram



| Pin No. | Color | Function |
|---------|--------|------------|
| 1 | BROWN | Control(-) |
| 2 | RED | Control(+) |
| 3 | YELLOW | Drive (+) |
| 4 | ORANGE | Drive (-) |