

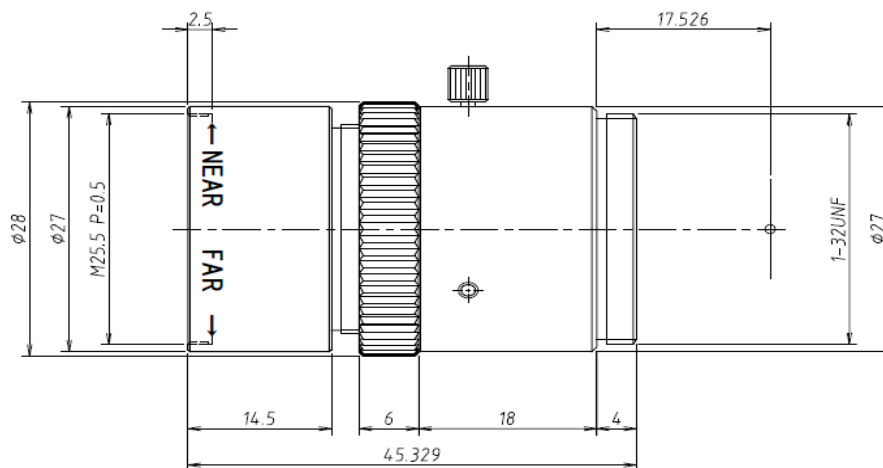
M5028-MPW2-R series

f=50mm F2.8/F4.0/F5.6/F8.0/F11.0
for 2/3 type Cameras, Ruggedized 5 Megapixel
C-Mount

Model No.	M5028-MPW2		Effective	Front	φ18.0mm		
Focal Length	50mm		Lens Aperture	Rear	φ12.0mm		
Max. Aperture Ratio	1:2.8		Distortion	2/3 type	0.027%(y=5.5)		
Max. Image Format	8.8mm x 6.6mm(φ11mm)			1/1.8 type	0.017%(y=4.32)		
Operation Range	Iris	F2.8/F4.0/F5.6/F8.0/F11.0		1/2 type	0.015%(y=4.0)		
	Focus	0.4m · Inf.		Back Focal Length	27.7mm		
Control	Iris	Fix		Flange Back Length	17.526mm		
	Focus	Manual		Mount	C-マウント		
Object Dimension at M.O.D.	2/3 Type	4.78cm x 6.38cm		Filter Size	M25.5 P=0.5mm		
	1/1.8 Type	3.77cm x 5.00cm		Dimensions	φ28mm x 45.3mm		
	1/2 Type	3.48cm x 4.64cm		Weight	62g		
Angle of View	D	2/3 type	12.5°	1/1.8 type	9.9°	1/2 type	9.1°
	H		10.0°		7.9°		7.3°
	V		7.5°		5.9°		5.5°
Operating Temperature	-10°C · +50°C						

M.O.D. : Minimum Object Distance

Dimensions



Model No.	Aperture(F)
M5028-MPW2-R	F2.8
M5040-MPW2-R	F4.0
M5056-MPW2-R	F5.6
M5080-MPW2-R	F8.0
M5011-MPW2-R	F11.0