
ECE TYPE-APPROVAL CERTIFICATE


Communication concerning approval granted of a vehicle type with regard to the strength of the seats and their anchorages, in the case either of seats fitted or capable of being fitted with head restraints or of seats not capable of being fitted with such devices and the characteristics of head restraints pursuant to UN Regulation No. 17



Approval No:

E5*17R09/01*0061*00

- | | | | |
|-----|---|---|---|
| 1. | Trade name or mark of the motor vehicle | : | NUOVA MAPA S.r.l. |
| 2. | Vehicle type | : | R-NMFDF |
| 3. | Manufacturer's name and address | : | NUOVA MAPA S.R.L. A SOCIO UNICO
Via del Palazzino, 11
40051 - Altedo di Malalbergo (BO) - Italy |
| 4. | If applicable, name and address of manufacturer's representative | : | Not applicable |
| 5. | Description of seats | : | See information document |
| 6. | Number of seats fitted or capable of being fitted with head restraints, adjustable or not adjustable | : | 2 |
| 7. | Description of the adjustment, displacement and locking systems of the seat or of its parts and a description of occupant protection system against displacement of luggage | : | See information document |
| 8. | Description of seat anchorage | : | See information document |
| 9. | Longitudinal position of the seats during the tests | : | See test report |
| 10. | Type of device | : | acceleration |
| 11. | Vehicle submitted for approval on | : | 13.06.2023 |

12. Technical Service responsible for conducting approval tests : Greenkar Technical Service Ltd
13. Date of report issued by that Service : 04.08.2023, 06.12.2013 and 11.04.2022
14. Number of report issued by that Service : TA0191GNMP, 0833/AS/TP-13 and 0182/AS/TO-22
15. Remarks : Not applicable
16. Approval : granted
17. Reason(s) of extension (if applicable) : Not applicable
18. Position of approval mark on the vehicle : Not applicable
19. Place : Borlänge
20. Date : 19 October 2023
21. Signature : 
Per Johansson
Type Approval Certification Officer
22. The following documents, bearing the approval number shown above, are annexed to this communication : Drawings, diagrams and plans of the seats, their anchorage on the vehicle, the adjustment and displacement systems of the seats and their parts, and their locking devices;

Photographs of the seats, their anchorages, the adjustment and displacement systems of the seats and their parts, and their locking devices, and of additional occupant protection system against displacement of luggage.

Note: In the case of seats fitted with head restraints as defined in paragraphs 2.12.2. and 2.12.3. of this Regulation, the head restraint shall be shown on all drawings, diagrams and photographs.

NUOVA MAPA S.R.L. A SOCIO UNICO

DOCUMENTAZIONE INFORMATIVA

INFORMATION DOCUMENT

INDICE DEL CONTENUTO

INDEX OF CONTENT

Scheda informativa numero **01fTNMIS** **del** **13.06.2023**
Information document number **dated**

0.-	DATI GENERALI GENERAL	pag. 1/5 page
1.-	CARATTERISTICHE COSTRUTTIVE GENERALI DEL VEICOLO GENERAL CONSTRUCTION CHARACTERISTICS OF THE VEHICLE	pag. 1/5 page
2.-	MASSE E DIMENSIONI (in kg e mm) MASSES AND DIMENSIONS (in kg and mm)	pag. 2/5 page
9.-	CARROZZERIA BODYWORK	pag. 2/5 page
IDENTIFICAZIONI DEL TIPO/VARIANTE/VERSIONE DEL COSTRUTTORE FASE 2 IDENTIFICATION OF TYPE/VARIANT/VERSION OF MANUFACTURER STAGE 2		pag. 1/1 page
ALLEGATI ALLA SCHEDA INFORMATIVA ANNEXES TO THE INFORMATION DOCUMENT		
ALLEGATO -A-	FOTO-DISEGNI-SCHEMI	pag. 1÷11/11
ANNEX -A-	PHOTOS-DRAWINGS - DIAGRAMS	page



IDENTIFICAZIONI DEL TIPO/VARIANTE/VERSIONE DEL COSTRUTTORE FASE 2
IDENTIFICAZIONI DEL TIPO/VARIANTE/VERSIONE DEL COSTRUTTORE FASE 2

IDENTIFICAZIONE DEL TIPO
(Type identification)

Item 1÷11 R-NMFDF

Identificazione del tipo
Type identification



Regolamento UN/ECE 17, supplemento 01 alla serie 09 di modifiche della Commissione economica per l'Europa delle Nazioni Unite (UN/ECE). Disposizioni uniformi relative all'omologazione di veicoli per quanto riguarda i sedili, i loro ancoraggi e i poggiatesta

Regulation UN/ECE 17, supplement 01 to the 09 series of amendments of the Economic Commission for Europe of the United Nations (UN/ECE) — Uniform provisions concerning the approval of vehicles with regard to the seats, their anchorages and any head restraints

SCHEDA INFORMATIVA
INFORMATION DOCUMENT

Numero **01fTNMiS** del **13.06.2023**
Number dated

DENOMINAZIONE COMMERCIALE COSTRUTTORE
TRADE NAME OF MANUFACTURER

NUOVA MAPA S.r.l.

TIPOLOGIA DEL VEICOLO
VEHICLE TYPE

VEICOLO A MOTORE
MOTOR VEHICLE

EVENTUALE FUNZIONE SPECIFICA
POSSIBLE SPECIFIC FUNCTION

AUTOVEICOLO
MOTOR VEHICLE

DENOMINAZIONE DEL TIPO
TYPE DESIGNATION

R-NMFD



0.	DATI GENERALI GENERAL	
0.1.	Marca (denominazione commerciale del costruttore): Make (trade name of manufacturer): NUOVA MAPA S.r.l.	
0.2.	Tipo e designazione(i) commerciale(i) generale(i): Type and general commercial description(s): R-NMDFD	
0.3.	Mezzi di identificazione del tipo, se marcati sul veicolo: Means of identification of type, if marked on the vehicle: ZFA????????????	
0.3.1.	Posizione della marcatura: Location of that marking: sulla targhetta del veicolo on the vehicle's plate	
0.4.	Categoria del veicolo: Category of vehicle:	M1-N1-M2-N2
0.5.	Nome e indirizzo del costruttore/fabbricante: Name and address of manufacturer: NUOVA MAPA S.R.L. A SOCIO UNICO Via del Palazzino, 11	40051 - Altedo di Malalbergo (BO) - Italy
0.8.	Indirizzo dello o degli stabilimenti di montaggio Address(es) of assembly plant(s): NUOVA MAPA S.R.L. A SOCIO UNICO Via del Palazzino, 11	40051 - Altedo di Malalbergo (BO) - Italy
1.	CARATTERISTICHE COSTRUTTIVE GENERALI DEL VEICOLO GENERAL CONSTRUCTION CHARACTERISTICS OF THE VEHICLE	
1.1.	Fotografie e/o disegni di un veicolo rappresentativo: Photographs and/or drawings of a representative vehicle: vedi disegni, Allegato -A- see drawings, Annex -A-	



9.	CARROZZERIA BODYWORK	
9.1.	Tipo di carrozzeria: Type of bodywork:	N.R. N/A
9.2.	Materiali e modalità di costruzione: Materials used and methods of construction:	N.R. N/A
9.10.	Finiture interne Interior fittings	
9.10.3.	Sedili Seats	
9.10.3.1.	Numero: Number:	2
9.10.3.2.	Posizione e disposizione: Position and arrangement:	anteriori: 2 front: posteriori: N.R. rear: N/A
9.10.3.3.	Massa: Mass:	
	anteriori:	41,5 kg (31 kg sedile + 10,5 kg piastra girevole
	front:	41,5 kg (31 kg seat + 10,5 kg swiveling plate
	posteriori:	N.R.
	rear:	N/A

9.10.3.4.	Caratteristiche: descrizioni e disegni di Characteristics: descriptions and drawings of		
9.10.3.4.1.	Sedili e loro ancoraggi: The seats and their anchorages: anteriori: Il sedile è originale. Gli ancoraggi sono originali, ma il sedile viene fissato sopra la piastra girevole, a sua volta ancorata sul cestello del sedile. front: The seat is original. The anchorages are original, but the seat is fixed above the swivel plate, which is in turn anchored on the seat basket. posteriori: N.R. rear: N/A vedi disegni, Allegato -A- see drawings, Annex -A-		
9.10.3.4.2.	Sistema di regolazione: The adjustment system: anteriori: vedi veicolo base front: see base vehicle posteriori: N.R. rear: N/A		
9.10.3.4.3.	Sistemi di spostamento e di blocco: The displacement and locking systems: anteriori: vedi veicolo base front: see base vehicle posteriori: N.R. rear: N/A		
9.10.3.4.4.	Ancoraggi delle cinture di sicurezza (se incorporati nella struttura del sedile): The seat belt anchorages (if incorporated in the seat structure): anteriori: Tutti gli ancoraggi rimangono invariati rispetto a quelli originali. Viene rilevata unicamente una traslazione verso l'alto della posizione del punto H e dell'ancoraggio inferiore interno. Con la piastra lo spostamento è di 41 mm. front: All anchorages remain unchanged from the original ones. Only an upward translation of the position of the H point and of the inner lower anchorage is detected. With the plate the displacement is 41 mm. posteriori: N.R. rear: N/A vedi disegni, Allegato -A- see drawings, Annex -A-		
9.10.3.4.5.	Parti del sedile usate come ancoraggi: The parts of the vehicle used as anchorages:	anteriori: vedi disegni, Allegato -A- front: see drawings, Annex -A- posteriori: N.R. rear: N/A	

9.10.3.5.	Coordinate o schema del punto R Coordinates or drawing of the R point	
9.10.3.5.1.	Sedile del conducente: Driver's seat:	vedi disegni, Allegato -A- see drawings, Annex -A-
9.10.3.5.2.	Tutti gli altri posti a sedere: All other seating positions:	N.R. N/A
9.10.3.6.	Angolo previsto di inclinazione dello schienale: Design torso angle of:	
9.10.3.6.1.	Sedile del conducente Driver's seat:	come originale as the original
9.10.3.6.2.	Tutti gli altri posti a sedere: All other seating positions:	anteriori: come originale front: as the original posteriori: N.R. rear: N/A
9.10.3.7.	Corsa di regolazione del sedile: Range of seat adjustment:	
9.10.3.7.1.	Sedile del conducente Driver's seat:	165 mm
9.10.3.7.2.	Tutti gli altri posti a sedere: All other seating positions:	anteriori: 165 mm front: posteriori: N.R. rear: N/A
9.10.4.	Poggiatesta Head restraints	
9.10.4.1.	Tipo o tipi di poggiatesta: Type(s) of head restraints:	anteriori: come originale front: as the original posteriori: N.R. rear: N/A
9.10.4.2.	Numero di omologazione (se disponibile): Type approval number(s), if available:	anteriori: N.R. front: N/A posteriori: N.R. rear: N/A

9.10.4.3.	Per i poggiatesta non ancora omologati For head restraints not yet approved								
9.10.4.3.1.	<p>Descrizione dettagliata del poggiatesta indicante in particolare la natura del materiale o dei materiali di imbottitura e, ove applicabile, la posizione e le specifiche dei rinforzi e degli elementi di ancoraggio per il tipo o i tipi di sedili per i quali è chiesta l'omologazione:</p> <p>A detailed description of the head restraint, specifying in particular the nature of the padding material or materials used and, where applicable, the position and specification of the braces and anchorage pieces for the type or types of seats for which approval is sought:</p> <table><tr><td>anteriori:</td><td>N.R.</td></tr><tr><td>front:</td><td>N/A</td></tr><tr><td>posteriori:</td><td>N.R.</td></tr><tr><td>rear:</td><td>N/A</td></tr></table>	anteriori:	N.R.	front:	N/A	posteriori:	N.R.	rear:	N/A
anteriori:	N.R.								
front:	N/A								
posteriori:	N.R.								
rear:	N/A								
9.10.4.3.2.	Nel caso di un poggiatesta "separato": In the case of a "separate" head restraint:								
9.10.4.3.2.1.	<p>Descrizione dettagliata della parte della struttura destinata al montaggio del poggiatesta:</p> <p>A detailed description of the structural zone to which the head restraint is intended to be fixed:</p> <table><tr><td>anteriori:</td><td>N.R.</td></tr><tr><td>front:</td><td>N/A</td></tr><tr><td>posteriori:</td><td>N.R.</td></tr><tr><td>rear:</td><td>N/A</td></tr></table>	anteriori:	N.R.	front:	N/A	posteriori:	N.R.	rear:	N/A
anteriori:	N.R.								
front:	N/A								
posteriori:	N.R.								
rear:	N/A								
9.10.4.3.2.2.	<p>Disegni quotati degli elementi caratteristici della struttura e del poggiatesta:</p> <p>Dimensional drawings of the characteristics parts of the structure and the head restraint:</p> <table><tr><td>anteriori:</td><td>N.R.</td></tr><tr><td>front:</td><td>N/A</td></tr><tr><td>posteriori:</td><td>N.R.</td></tr><tr><td>rear:</td><td>N/A</td></tr></table>	anteriori:	N.R.	front:	N/A	posteriori:	N.R.	rear:	N/A
anteriori:	N.R.								
front:	N/A								
posteriori:	N.R.								
rear:	N/A								
NOTE:	<p>(°) Piastra girevole NUOVA MAPA tipo 0609100002/LG (lato guida) e 0609100002/LP (lato passeggero). Il sistema provato è una piastra girevole, da installare in cabina di guida per il sedile del guidatore e quello del passeggero, su cui viene installato il sedile originale. Per dettagli sul sedile originale, vedi E3 17RA-08 2953 ext.05 e E3*17RA09/01*8529*00 MAPA turntable</p> <p>The tested system is a swivel plate, to be installed in the driver's cab for the driver's and passenger's seats, on which the original seat is installed. For further details on the original seat, see E3 17RA-08 2953 ext.05 and E3*17RA09/01*8529*00</p>								

ALLEGATO -A-

ANNEX -A-

(DISEGNI - SCHEMI - ZONE AUTORIZZATE)
(PHOTOS - DIAGRAMS - AUTHORIZED AREAS)

SCHEDA INFORMATIVA DI RIFERIMENTO
REFERENCE INFORMATION DOCUMENT

Numero **01fTNMiS** del **13.06.2023**
Number dated

DENOMINAZIONE COMMERCIALE COSTRUTTORE
TRADE NAME OF MANUFACTURER

NUOVA MAPA S.r.l.

TIPOLOGIA DEL VEICOLO
VEHICLE TYPE

VEICOLO A MOTORE
MOTOR VEHICLE

EVENTUALE FUNZIONE SPECIFICA
POSSIBLE SPECIFIC FUNCTION

AUTOVEICOLO
MOTOR VEHICLE

DENOMINAZIONE DEL TIPO
TYPE DESIGNATION

R-NMFD



ALLEGATO A

ANNEX A

FOTO DEL COMPONENTE

PHOTO OF THE COMPONENT



ALLEGATO A

ANNEX A

FOTO DEL COMPONENTE

PHOTO OF THE COMPONENT

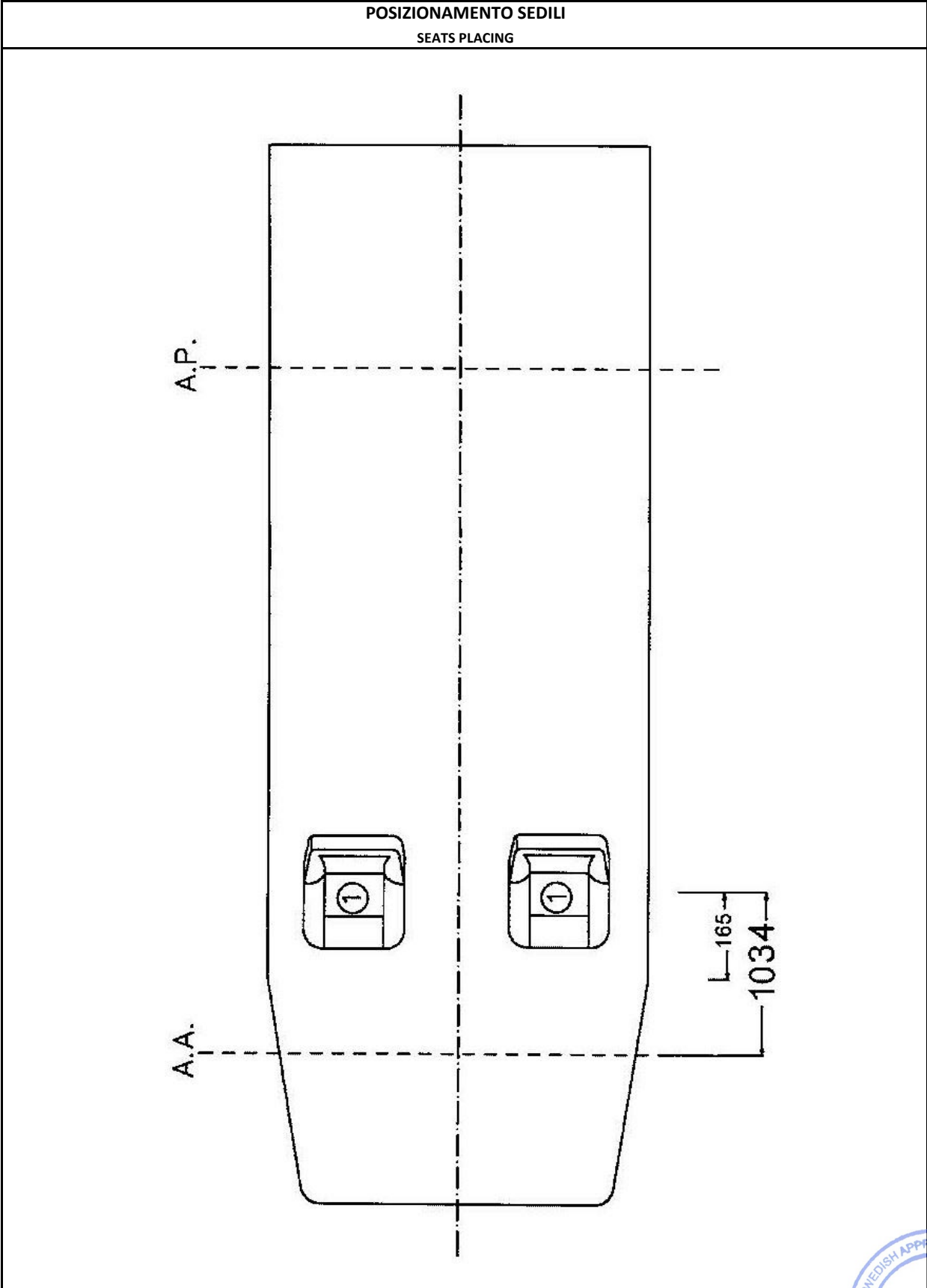


ALLEGATO A

ANNEX A

POSIZIONAMENTO SEDILI

SEATS PLACING

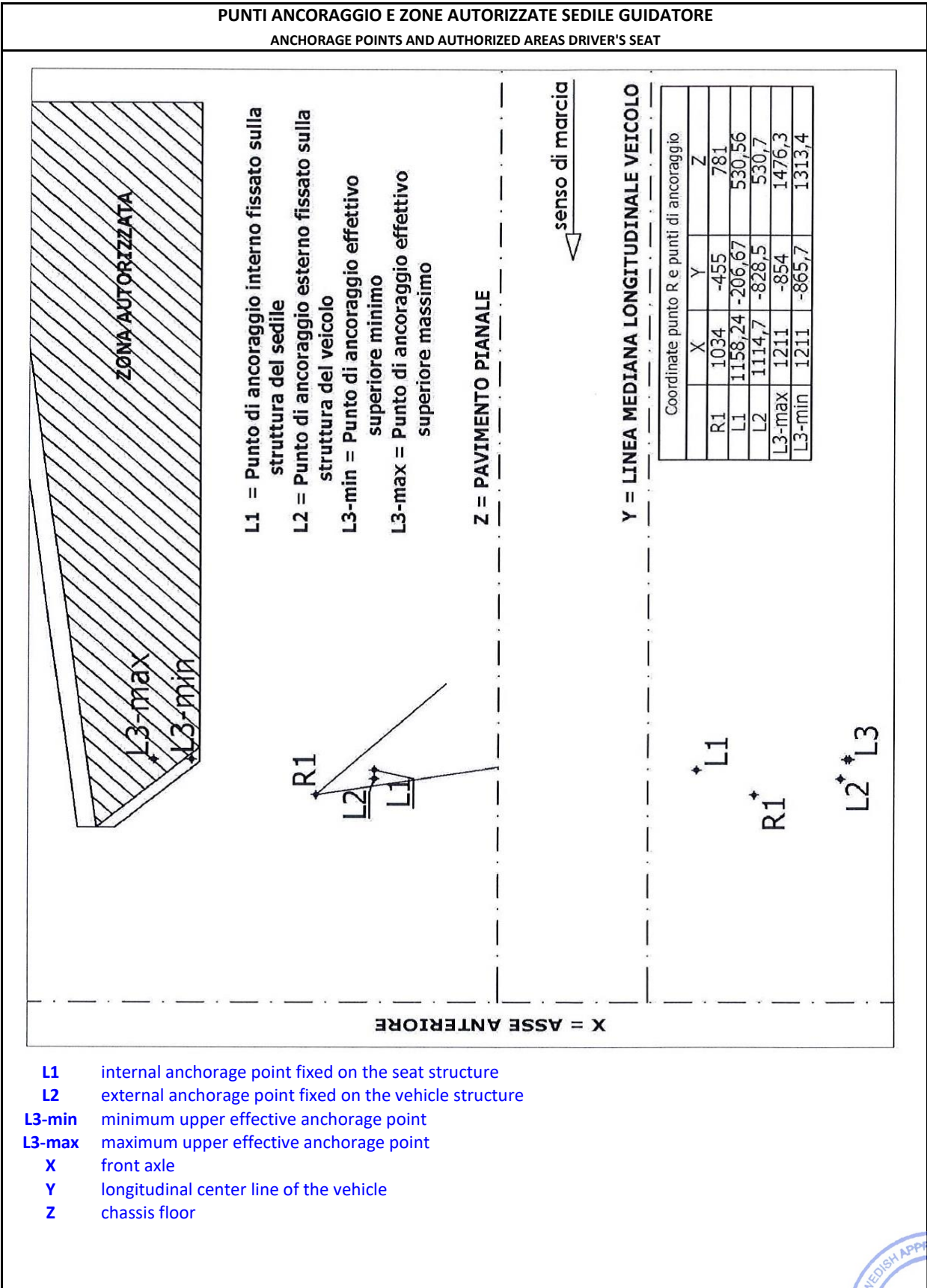


ALLEGATO A

ANNEX A

PUNTI ANCORAGGIO E ZONE AUTORIZZATE SEDILE GUIDATORE

ANCHORAGE POINTS AND AUTHORIZED AREAS DRIVER'S SEAT

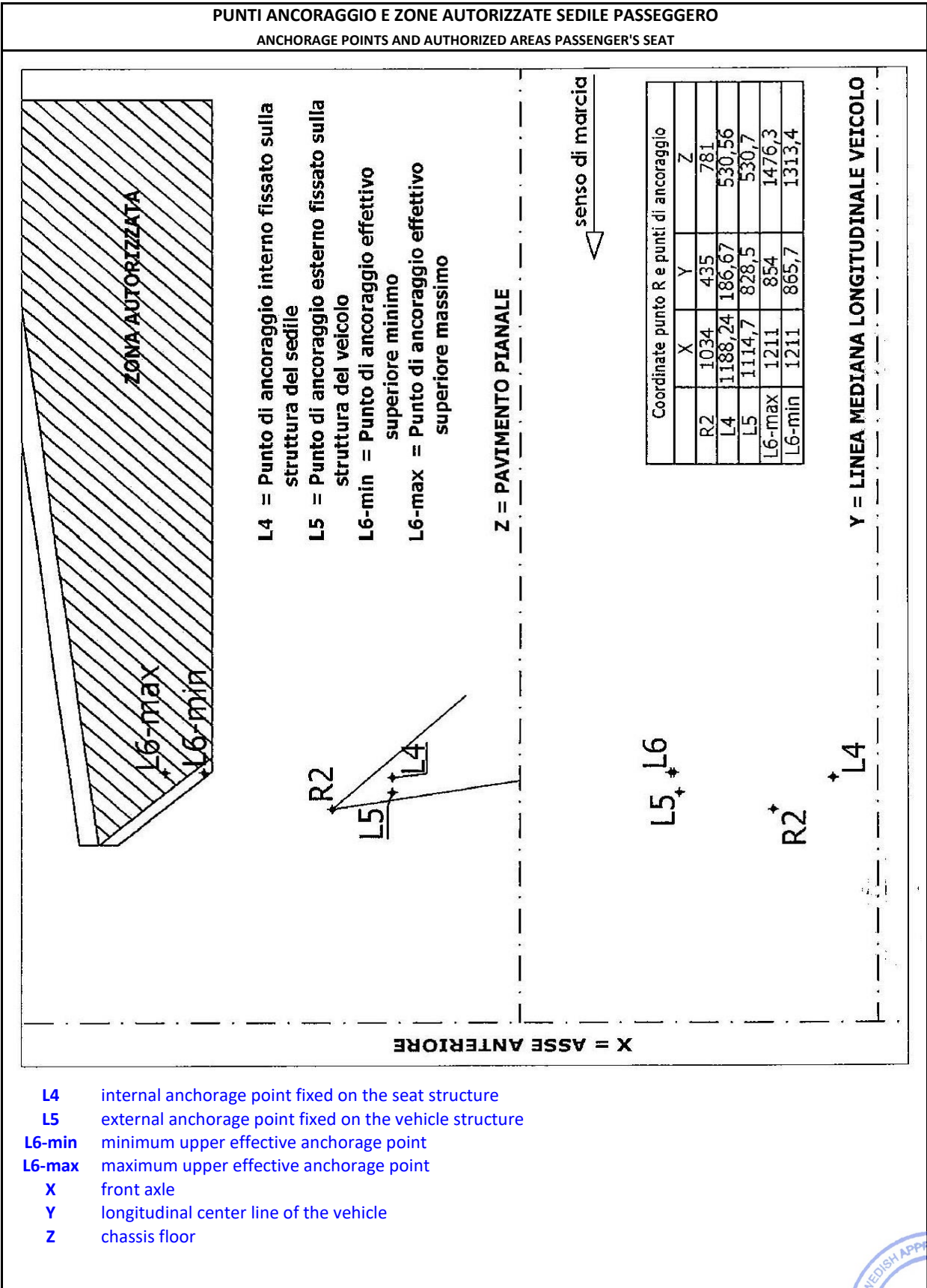


ALLEGATO A

ANNEX A

PUNTI ANCORAGGIO E ZONE AUTORIZZATE SEDILE PASSEGGERO

ANCHORAGE POINTS AND AUTHORIZED AREAS PASSENGER'S SEAT



- L4 internal anchorage point fixed on the seat structure
- L5 external anchorage point fixed on the vehicle structure
- L6-min minimum upper effective anchorage point
- L6-max maximum upper effective anchorage point
- X front axle
- Y longitudinal center line of the vehicle
- Z chassis floor

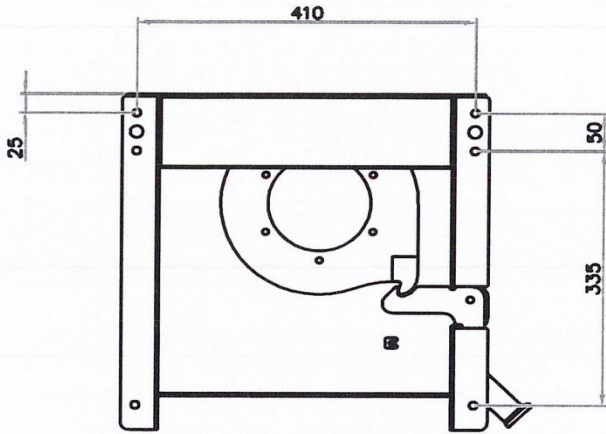


ALLEGATO A

ANNEX A

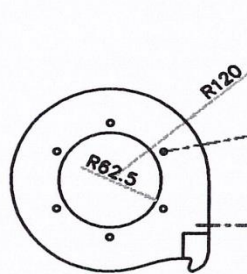
DISEGNO PIASTRA

PLATE DRAWING



piastra girevole per sedile lato passeggero FIAT DUCATO x 250
assemblata

swivel plate for passenger seat FIAT DUCATO X250
assembled



assemblaggio piastra.

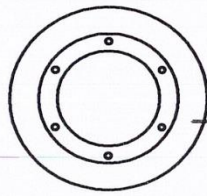
- 1 vite m 8 x 30
- 1 rondella 8 x 24
- 1 dado autobloccante m 8

plate assembling

- 1 screw m 8 x 30
- 1 washer 8 x 24
- 1 selflocking dice m 8

flangia metallica di chiusura

metal closing flange



piano di scorrimento superiore

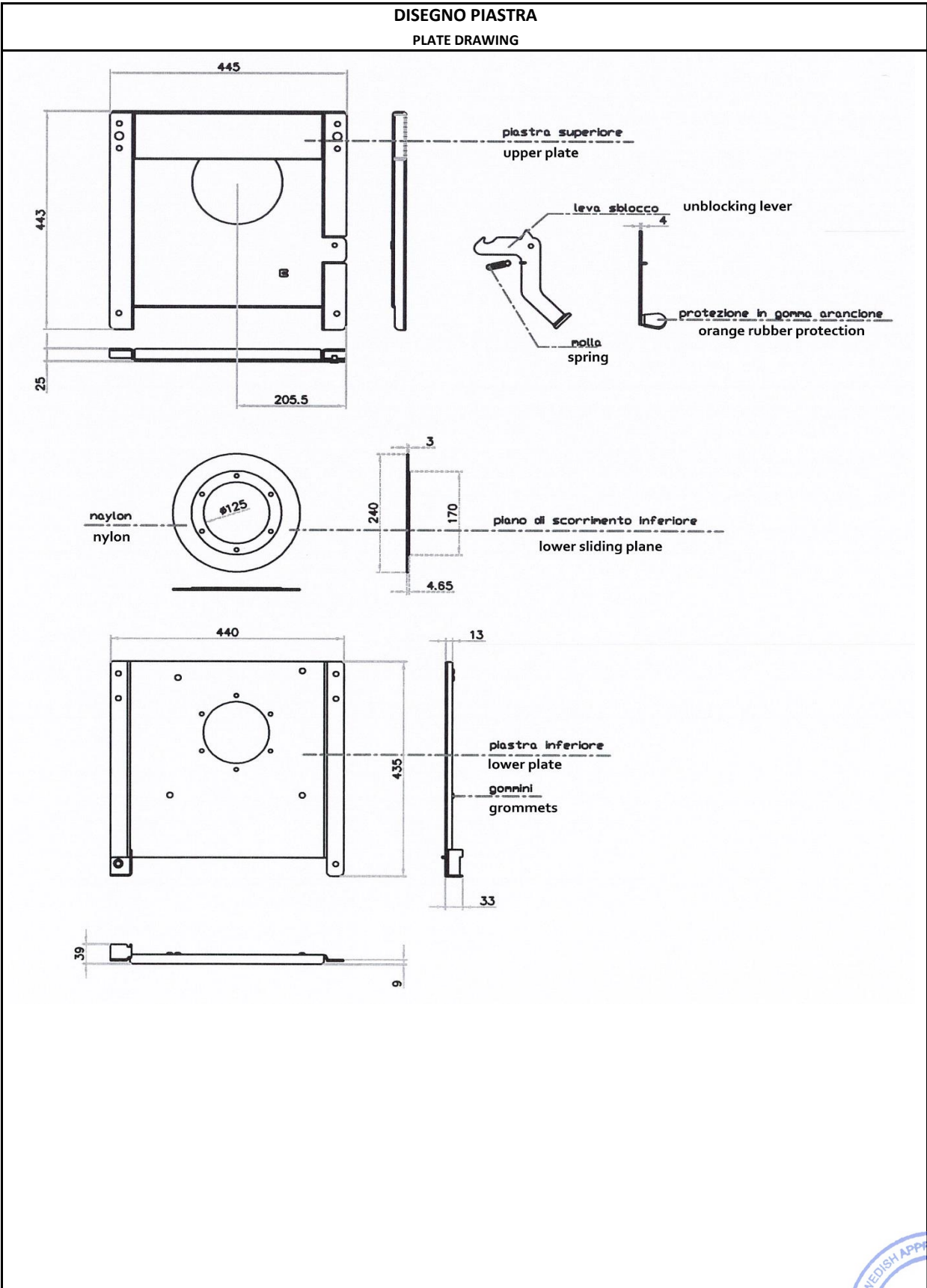
upper sliding plane

ALLEGATO A

ANNEX A

DISEGNO PIASTRA

PLATE DRAWING



ALLEGATO A

ANNEX A

DISEGNO DEL SEDILE

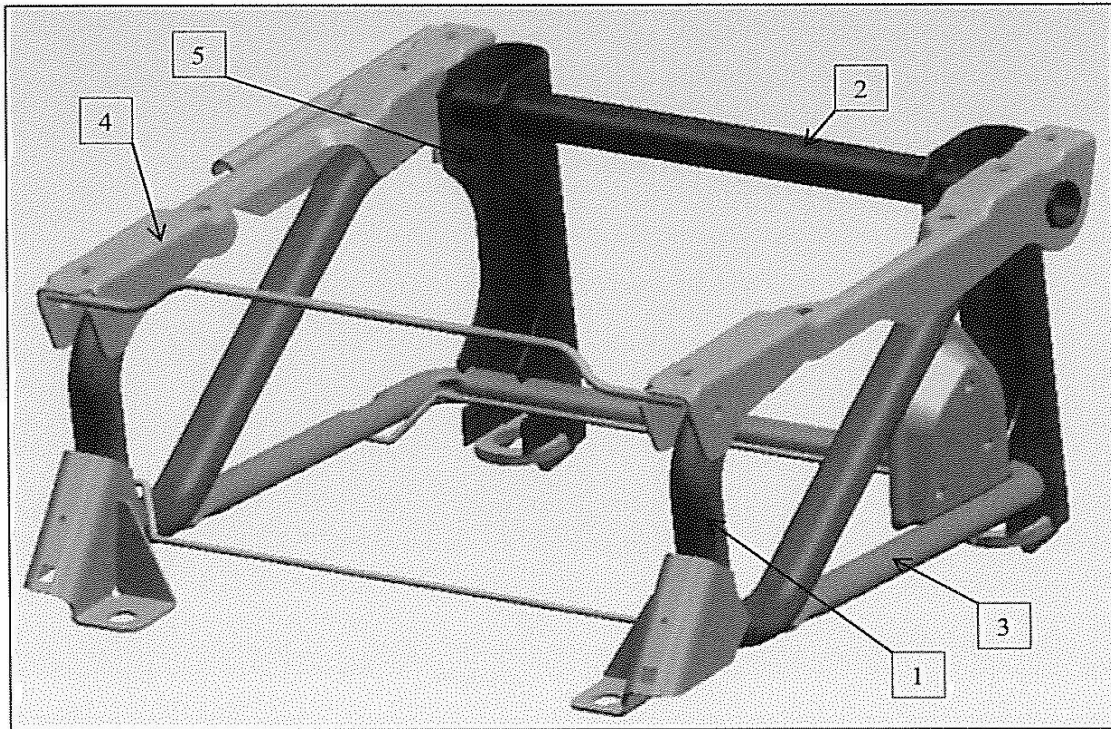
SEAT DRAWING

Sedile originale FIAT (vedi E3 17RA-08 2953 ext.05 e E3*17RA09/01*8529*00)

FIAT original seat (see E3 17RA-08 2953 ext.05 and E3*17RA09/01*8529*00)

Struttura d'appoggio originale Fase 1

Original support structure Phase 1



Riduzione spessore tubi (n. 1 e 2): nuova misura 1.5 / Tube thickness reduction (no. 1 and 2): new measure 1.5

Riduzione spessore tubo (n. 3): nuova misura 1.2 / Tube thickness reduction (no. 3): new measure 1.2

Riduzione spessore staffe (n. 4 e 5): nuova misura 2 / Tube thickness reduction (no. 4 and 5): new measure 2

ALLEGATO A

ANNEX A

DISEGNO DEL SEDILE

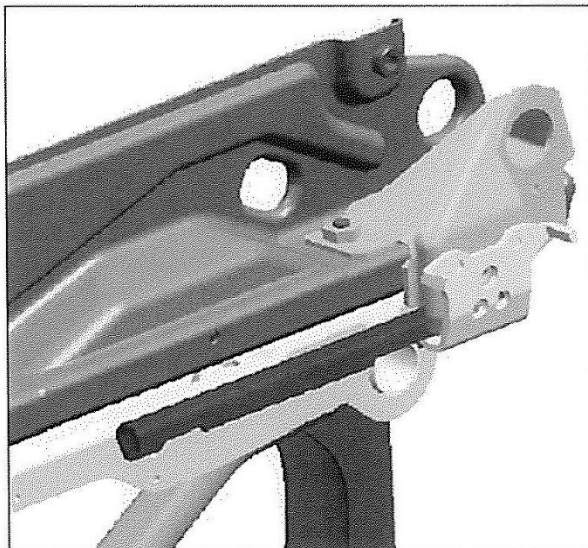
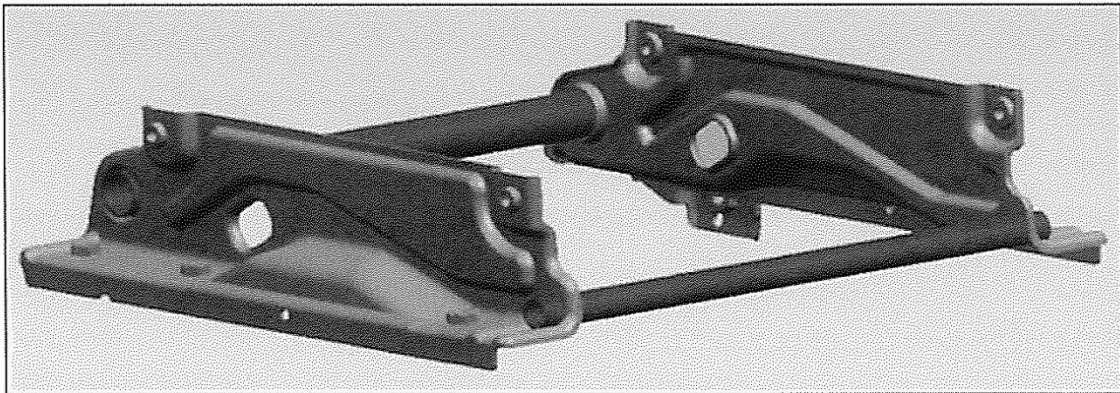
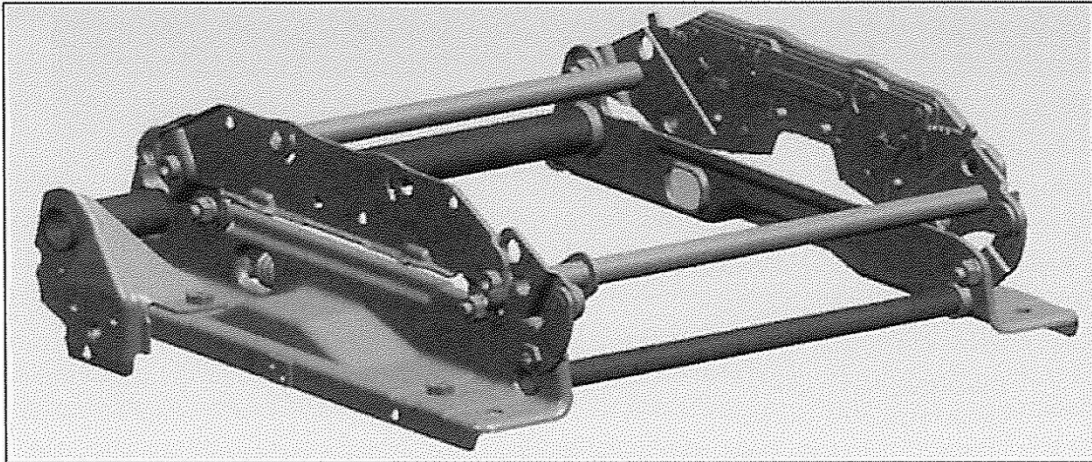
SEAT DRAWING

Sedile originale FIAT (vedi E3 17RA-08 2953 ext.05 e E3*17RA09/01*8529*00)

FIAT original seat (see E3 17RA-08 2953 ext.05 and E3*17RA09/01*8529*00)

Struttura d'appoggio originale Fase 1

Original support structure Phase 1



ALLEGATO A

ANNEX A

DISEGNO DEL SEDILE

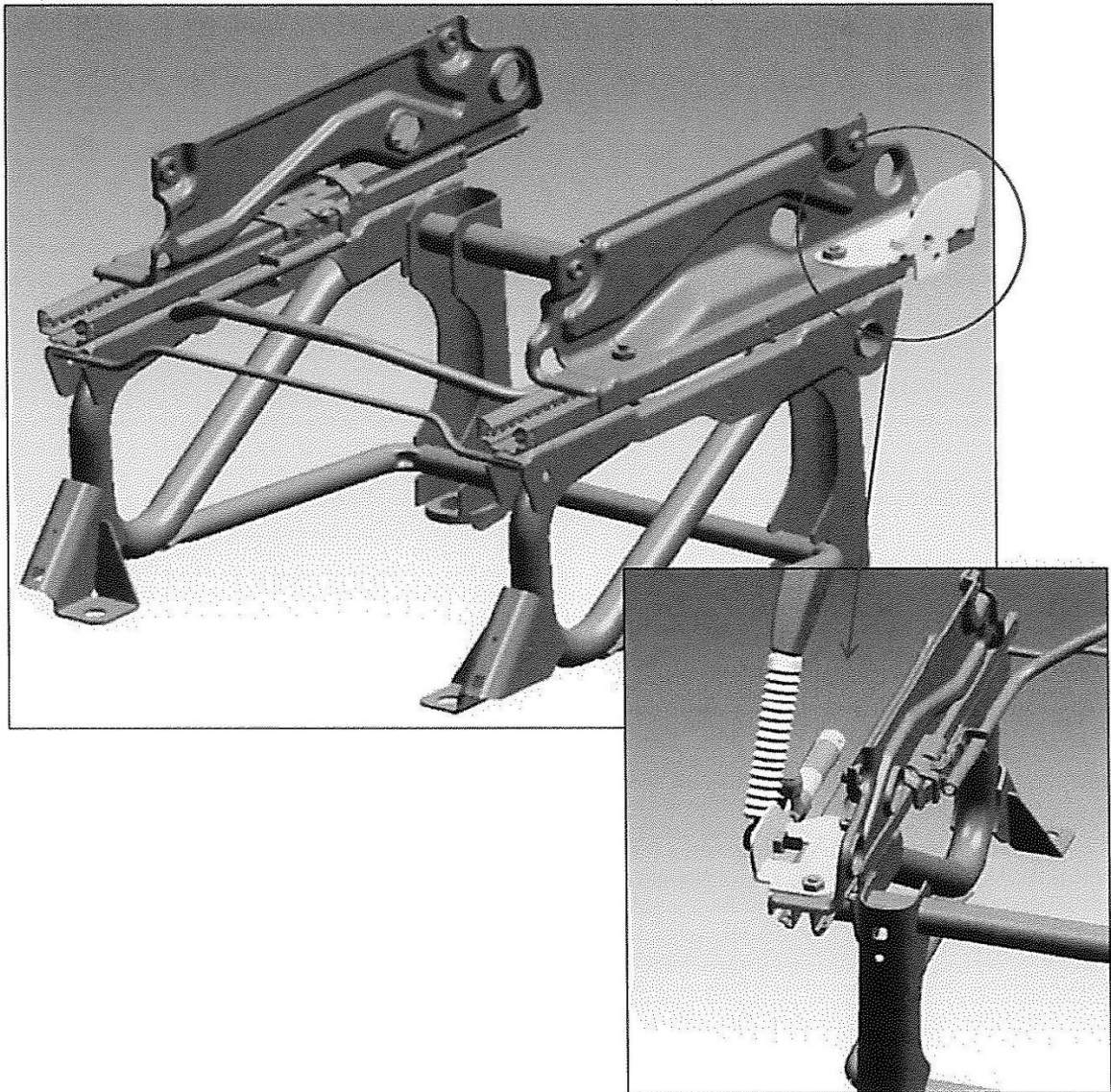
SEAT DRAWING

Sedile originale FIAT (vedi E3 17RA-08 2953 ext.05 e E3*17RA09/01*8529*00)

FIAT original seat (see E3 17RA-08 2953 ext.05 and E3*17RA09/01*8529*00)

Struttura d'appoggio originale Fase 1

Original support structure Phase 1



ALLEGATO A

ANNEX A

DISEGNO DEL SEDILE

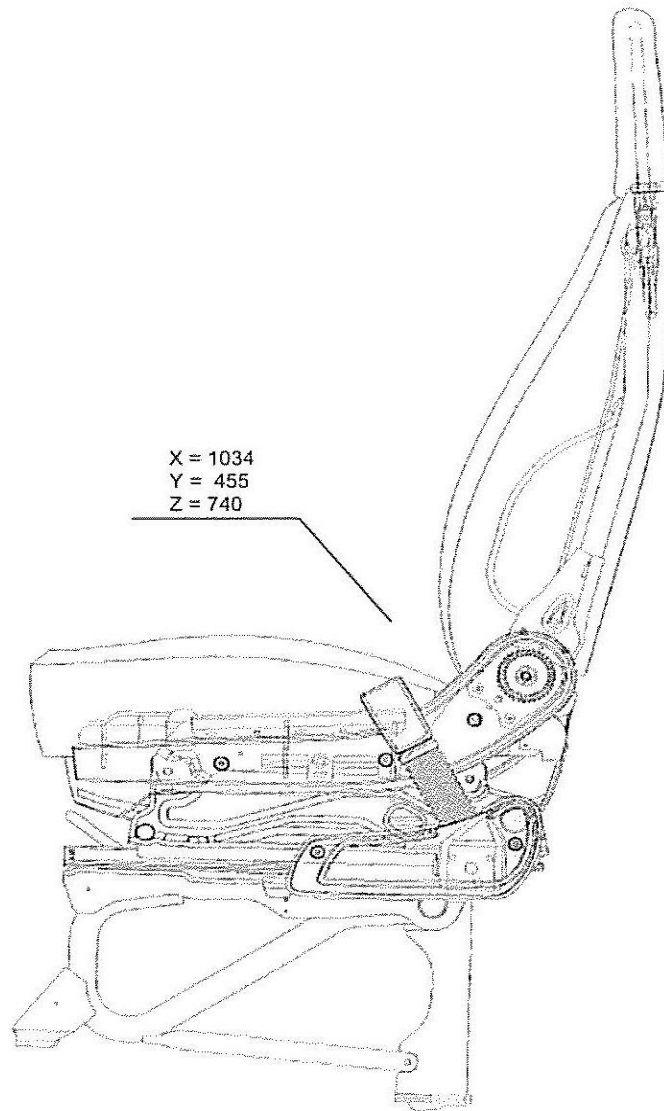
SEAT DRAWING

Sedile originale FIAT (vedi E3 17RA-08 2953 ext.05 e E3*17RA09/01*8529*00)

FIAT original seat (see E3 17RA-08 2953 ext.05 and E3*17RA09/01*8529*00)

Coordinate Punto R di Fase 1

Stage 1 R Point Coordinates



3. ELENCO DEI PARAMETRI DI RIFERIMENTO / REFERENCE PARAMETERS LIST

3.1 1R – POSTO A SEDERE ANTERIORE PASSEGGERO / 1R – PASSENGER FRONT SEAT

3.1.1. Coordinate del punto R / R-point coordinates

X = 1034,0 mm

Y = 455,0 mm

Z = 740,0 mm

3.1.2 Angolo di progetto dello schienale / Torso angle: 18°

REPORT		Date of issue:	04.08.2023
		Page:	1 of 4
No.: TA0191GNMP		Base file:	MR-A-081 r00

Subject:	Seat strength
Regulatory act:	UN/ECE 17 Series of amendments 09
Technical Officer:	Roberto Alberati
Test site:	Latina (I) at CELAB laboratory
Test date:	03.07.2023

0. GENERAL

0.1.	Make:	NUOVA MAPA
0.2.	Type:	R-NMFDF
0.2.1.	Commercial name(s):	See information document
0.3.	Category of destination vehicle:	M1-N1-M2-N2
0.4.	Name and address of manufacturer:	NUOVA MAPA S.R.L. A SOCIO UNICO Via del Palazzino, 11 40051 - Altedo di Malalbergo (BO) - Italy
0.5.	Name(s) and address(es) of assembly plant(s):	NUOVA MAPA S.R.L. A SOCIO UNICO Via del Palazzino, 11 40051 - Altedo di Malalbergo (BO) - Italy
0.6.	Name and address of manufacturer's representative:	N/A

1. INFORMATION CONCERNING THE VEHICLE/OBJECT SUBMITTED FOR TESTS

1.1.	Manufacturer of base vehicle:	FIAT GROUP AUTOMOBILES SPA IT-Torino
1.2.	Manufacturer of seats:	NUOVA MAPA S.R.L. A SOCIO UNICO Via del Palazzino, 11 40051 - Altedo di Malalbergo (BO) - Italy
1.3.	Test vehicle:	The tested vehicle is a representative part of a FIAT, Type 250 The test of strength of the seat anchorage was carried out on parts of the vehicle deemed representative for approval tests on which the seat has been fixed in.
1.4.	Remarks:	---
1.5.	Tested object	See informative folder 01FTNMIS

REPORT		Date of issue:	04.08.2023
		Page:	2 of 4
No.: TA0191GNMP		Base file:	MR-A-081 r00

2. PRELIMINARY REMARKS

The seats submitted with vehicle construction for tests conforms to the information document no. 01fTNMiS dated 13.06.2023 provided by manufacturer. The tested seats and vehicle construction is representative of the type to be approved.

3. CHECKS AND TESTS

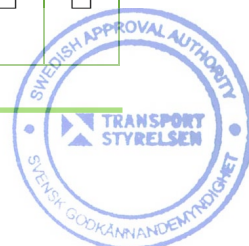
GENERAL REQUIREMENTS (numbering according to Regulation UN/ECE 17-09)

		C	NC	NA
5.2.	General requirements applicable to all seats of category M1			
5.2.1.	Every adjustment and displacement system provided incorporate a locking system which operates automatically (*)	<input checked="" type="checkbox"/>	<input type="checkbox"/>	<input type="checkbox"/>
	Locking systems for armrests or other comfort devices are not necessary unless the presence of such devices cause additional risks. (*)	<input checked="" type="checkbox"/>	<input type="checkbox"/>	<input type="checkbox"/>
	Folding seats are locked automatically in the position of use by occupants. (*)	<input checked="" type="checkbox"/>	<input type="checkbox"/>	<input type="checkbox"/>
5.2.2.	The unlocking control for a device as referred to in paragraph 2.7. of this regulation is placed on the outside of the seat close to the door and is easily accessible also to the occupant of the seat immediately behind the seat concerned. (*)	<input checked="" type="checkbox"/>	<input type="checkbox"/>	<input type="checkbox"/>
5.2.3.	The rear parts of the seats situated in area 1, defined in paragraph 6.8.1.1. pass the energy dissipation test in accordance with the requirements of annex 6 of this regulation. (*)	<input checked="" type="checkbox"/>	<input type="checkbox"/>	<input type="checkbox"/>
5.2.3.1.	The requirement is deemed to be met if in the tests carried out by the procedure in annex 6, the deceleration of the head form does not exceed 80 g continuously for more than 3 ms. No dangerous edges occur during or remain after test. (*)	<input checked="" type="checkbox"/>	<input type="checkbox"/>	<input type="checkbox"/>
5.2.3.2.	The requirements of paragraph 5.2.3. shall not apply to rearmost seats, to back-to-back seats or to seats that comply with the provisions of UN Regulation No. 21. (*)	<input checked="" type="checkbox"/>	<input type="checkbox"/>	<input type="checkbox"/>
5.2.4.	The surface of the rear parts of the seat does not exhibit any dangerous roughness or sharp edges likely to increase the risk of severity of injury to occupants. This requirement is considered satisfied if the surface above exhibit radii of curvature not less than: 2.5 mm in area 1 (*) 5.0 mm in area 2 (*) 3.2 mm in area 3 (*)	<input checked="" type="checkbox"/>	<input type="checkbox"/>	<input type="checkbox"/>
		<input checked="" type="checkbox"/>	<input type="checkbox"/>	<input type="checkbox"/>
5.2.4.1.	The requirement does not apply to:			
5.2.4.1.1.	The parts of the different areas exhibiting a projection of less than 3.2 mm from the surrounding area which exhibit blunted edges, provided that the height of the projection is not more than half of its width. (*)	<input checked="" type="checkbox"/>	<input type="checkbox"/>	<input type="checkbox"/>
5.2.4.1.2.	Rearmost seat, to back to back seats or to seats that comply with the provision of the regulation UNECE 21. (*)	<input checked="" type="checkbox"/>	<input type="checkbox"/>	<input type="checkbox"/>
5.2.4.1.3.	Rear parts of the seats situated below a horizontal plane passing through the lowest R point in each row of seats. (*)	<input checked="" type="checkbox"/>	<input type="checkbox"/>	<input type="checkbox"/>
5.2.4.1.4.	Parts such as "flexible wire mesh". (*)	<input checked="" type="checkbox"/>	<input type="checkbox"/>	<input type="checkbox"/>

REPORT	 greenkar TECHNICAL SERVICE	Date of issue:	04.08.2023
		Page:	3 of 4
No.: TA0191GNMP		Base file:	MR-A-081 r00

		C	NC	NA
5.2.4.2.	In area 2, defined in par. 6.8.1.2., surfaces can exhibit radii less than 5 mm but not less than 2.5 mm provided that they pass the energy dissipation test prescribed in annex 6 of this regulation. These surfaces are padded to avoid direct contact of the head with the seat frame structure. (*)	<input checked="" type="checkbox"/>	<input type="checkbox"/>	<input type="checkbox"/>
5.2.4.3.	If the areas defined above contain parts covered with material softer than 50 Shore A hardness, the above requirements (except of those relating to the energy-dissipation test in accordance with the requirements of annex 6) apply only to the rigid parts. (*)	<input checked="" type="checkbox"/>	<input type="checkbox"/>	<input type="checkbox"/>
5.2.5.	No failure is shown in the seat frame or in the seat anchorage. The adjustment and displacement system of their locking devices during or after the test prescribed in paragraphs 6.2. and 6.3. of ref. regulation. Permanent deformation (including some ruptures) can be accepted provided that these do not increase the risk of injury in case of collision and the prescribed loads are sustained.	<input checked="" type="checkbox"/>	<input type="checkbox"/>	<input type="checkbox"/>
5.2.6.	No release of the locking system occurs during the tests described in paragraph 6.3. and in annex 9, par. 2.1. of this regulation.	<input checked="" type="checkbox"/>	<input type="checkbox"/>	<input type="checkbox"/>
5.2.7.	After the tests the displacement system intended for permitting or facilitating the access of occupants are in working order. They are capable of at least one of being unlocked and permit the displacement of the seat of the rear part of the seat for which they are intended.	<input checked="" type="checkbox"/>	<input type="checkbox"/>	<input type="checkbox"/>
	Any other displacement system, as well as adjustment system and their locking system are not in working order.	<input checked="" type="checkbox"/>	<input type="checkbox"/>	<input type="checkbox"/>
	In the case of seats provided with head restraints, the strength of the seat-back and of its locking devices is deemed to meet the requirements set out in paragraph 6.2. when, after testing in accordance with Annex 5 below, no breakage of the seat or seat-back has occurred: otherwise, it shall be shown that the seat is capable of meeting the test requirements set out in paragraph 6.2. below. (*)	<input checked="" type="checkbox"/>	<input type="checkbox"/>	<input type="checkbox"/>
	In the case of seats (benches) with more places to sit than head restraints and in case the manufacturer chooses not to apply 53 daNm during the test of paragraph 3.1. of Annex 5. the seat back strength test of paragraph 6.2. has to be performed in addition to the test of paragraph 3.1. of Annex 5. (*)	<input type="checkbox"/>	<input type="checkbox"/>	<input checked="" type="checkbox"/>
5.3.	General specifications applicable to seats of vehicles of categories N1, N2 and N3 and to seats of vehicles of categories M2 and M3 not covered by Regulation No 80			
5.3.1.	Seats and bench seats shall be firmly attached to the vehicle.	<input type="checkbox"/>	<input type="checkbox"/>	<input checked="" type="checkbox"/>
5.3.2.	Sliding seats and bench seats shall be automatically lockable in all the positions provided.	<input type="checkbox"/>	<input type="checkbox"/>	<input checked="" type="checkbox"/>
5.3.3.	Adjustable seat-backs shall be lockable in all the positions provided.	<input type="checkbox"/>	<input type="checkbox"/>	<input checked="" type="checkbox"/>
5.3.4.	All seats which can be tipped forward or have fold-on backs and folding seats shall lock automatically in the position of use by occupants. These requirements do not apply to folding seats fitted in wheelchair spaces or areas for standing passengers of vehicles of category M2 or M3 of Class I, II or A and folding seat(s) fitted in the access passages of vehicles of category M2 or M3 .	<input type="checkbox"/>	<input type="checkbox"/>	<input checked="" type="checkbox"/>
5.4.	Mounting of head restraints (*)			
5.5.	Special requirements for seats fitted or capable of being fitted with head restraints (*)	<input checked="" type="checkbox"/>	<input type="checkbox"/>	<input type="checkbox"/>
5.6.	Height of head restraints (*)	<input checked="" type="checkbox"/>	<input type="checkbox"/>	<input type="checkbox"/>

GreenKar Technical Service Ltd. - 18/2, South Street, Valletta, VLT 1102 (Malta) - VAT: MT23497516



REPORT	 greenkar TECHNICAL SERVICE	Date of issue:	04.08.2023
		Page:	4 of 4
No.: TA0191GNMP		Base file:	MR-A-081 r00

		C	NC	NA
5.11.	The width of the head restraint shall be such as to provide appropriate support for the head of a person normally seated. As determined according to the procedure described in paragraph 6.6 below, the head restraint shall cover an area extending not less than 85 mm to each side of the vertical median plane of the seat for which the head restraint is intended. (*)	<input checked="" type="checkbox"/>	<input type="checkbox"/>	<input type="checkbox"/>
5.14.	If the head restraint is adjustable, it shall not be possible to raise it beyond the maximum operational height except by deliberate action on the part of the user distinct from any act necessary for its adjustment. (*)	<input checked="" type="checkbox"/>	<input type="checkbox"/>	<input type="checkbox"/>

TEST (numbering according to Regulation UN/ECE 17-09)

		C	NC	NA
6.2.	Test of strength of the seat-back and its adjustment systems Rif. Test report 0833/AS/TO-13 dated 06.12.2013	<input checked="" type="checkbox"/>	<input type="checkbox"/>	<input type="checkbox"/>
6.3.	Test of strength of the seat anchorage and the adjustment, locking and displacement systems Rif Celab laboratory report no. T2306154A dated 22.06.2023.	<input checked="" type="checkbox"/>	<input type="checkbox"/>	<input type="checkbox"/>
6.4.	Test of the performance of the head restraint. Rif. Test report 0833/AS/TO-13 dated 06.12.2013	<input checked="" type="checkbox"/>	<input type="checkbox"/>	<input type="checkbox"/>
6.7.	Determination of distance 'a' of head restraint gaps Rif. Test report 0833/AS/TO-13 dated 06.12.2013	<input checked="" type="checkbox"/>	<input type="checkbox"/>	<input type="checkbox"/>

4. MEASURING INSTRUMENTS

See Celab laboratory report no. T2306154A


5. REMARKS

The inspection has been carried out considering the relevant requirements of ISO/IEC 17020
(*) Reference is made to the test report no. 0833/AS/TO-13 contained in the partial type-approval certificates E3 17RA-08 2953*05 here considered valid.

6. CONCLUSIONS

On the basis of checks carried out and of what stated in the information folder provided by the manufacturer, it is hereby certified that the vehicle referred to in pt. 0.2. meets the requirements of UN/ECE Reg. 17-9.

04.08.2023
Date of issue


 Roberto Alberati
 Technical Manager





Ministero delle Infrastrutture e dei Trasporti

DIPARTIMENTO PER I TRASPORTI, LA NAVIGAZIONE ED I SISTEMI INFORMATIVI E STATISTICI

Direzione Generale Territoriale del Nord-Ovest
CENTRO PROVA AUTOVEICOLI TORINO

Rapporto di prova n. / Test report no. 0833/AS/TO-13

Pagina / Page 1/6

OGGETTO: Verifiche e prove per quanto riguarda i sedili, i loro ancoraggi e appoggiatesta
OBJECT: Tests concerning seats, their anchorages and any head restraints

Regolamento Internazionale n. 17 emendamento 08 supplemento 1
International Regulation no. 17 amendment 08 supplement 1

Costruttore del veicolo / Richiedente: <i>Manufacturer / Applicant:</i>	FIAT GROUP AUTOMOBILES S.p.A. Corso Agnelli 200, 10135 Torino, Italia
Marca <i>Make</i>	FIAT
Tipo / Varianti <i>Type / Variants</i>	250?????
Costruttore del veicolo / Richiedente: <i>Manufacturer / Applicant:</i>	AUTOMOBILES PEUGEOT 75, Avenue de la Grande Armée, 75116, Paris, Francia
Costruttore del veicolo / Richiedente: <i>Manufacturer / Applicant:</i>	AUTOMOBILES CITROËN Immeuble Colisée III, 12, Rue Fructidor 75835, Paris Cedex, Francia
Mandatario / Authorized representative	FIAT GROUP AUTOMOBILES S.p.A. Corso Agnelli 200, 10135 Torino, Italia
Marca <i>Make</i>	PEUGEOT CITROËN
Tipo / Varianti: <i>Type / Variants:</i>	Y?????
Data della domanda: <i>Date of request:</i>	19.07.2013
Versioni: <i>Versions:</i>	Specificate nell'indice del fascicolo di omologazione CE <i>As reported in the EC homologation folder's index</i>
Categoria internazionale: <i>Category of vehicle:</i>	M1 N1 M2 N2
Nome e indirizzo del Laboratorio di prova: <i>Name and address of test laboratory:</i>	FGA – P.D. CENTRO SICUREZZA Via Fausto Coppi 2, ORBASSANO (TO)
Luogo di esecuzione delle prove: <i>Place of test execution:</i>	FGA – P.D. CENTRO SICUREZZA Via Fausto Coppi 2, ORBASSANO (TO)
Data delle verifiche e prove: <i>Test conducted on:</i>	16.10 + 28.11.2013
Campionamento <i>Sampling</i>	Il campionamento è stato eseguito a cura e responsabilità del costruttore <i>Sampling has been done under the responsibility of the manufacturer</i>
CONCLUSIONI <i>CONCLUSIONS</i>	Il veicolo sottoposto alle prove (ivi comprese le varianti riportate nella documentazione n. 250/16) è risultato conforme alle prescrizioni citate in oggetto. <i>The vehicle submitted to tests (as well as the vehicle variants reported in the documentation no. 250/16), complies with requirements defined in object.</i>
Rapporto di prova emesso il <i>Test report issued in date</i>	06.12.2013

I FUNZIONARI DEL CENTRO PROVA AUTOVEICOLI TORINO

Dott. Ing. Pietro GERACI

P.i. Vincenzo AIRO'

Pietro Geraci
Vincenzo Airo'

VISTO
IL DIRETTORE

Dott. Ing. Lino TRENTINI



È vietato riprodurre il presente documento, ed i relativi allegati, senza l'autorizzazione scritta del Laboratorio.
It is forbidden to reproduce the present document and relative enclosures, without written authorization of the Laboratory.
Il testo ufficiale del presente verbale è in lingua italiana. Quello in lingua inglese è da considerarsi solo come fonte di consultazione.
The official text of this test report is only in Italian. The English version is for reference only

PREMESSA / INTRODUCTION

I veicoli in esame differiscono dagli stessi, già sottoposti a verifica e prova (ved. il verbale n. 473/AS/TO-05 del 23.09.2005 e quelli successivi), per l'introduzione della seguente modifica, in alternativa:

- nuovo sedile anteriore Captain chair (fisso e su base girevole)
- modifiche sulla struttura supporto sedile (alzasedile, telaio distanziale e staffe)

The vehicles in object differ from the same, already checked and tested (see test report no. 473/AS/TO-07 from 23.09.2005 and following ones), for the introduction of this modification, in alternative to previous solution:

- *new front seat Captain chair (fixed and on revolving base)*
- *modifications on the seat support structure (high adjuster cushion frame, spacer framework and brackets)*

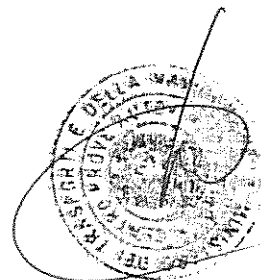
ALLEGATI / ANNEXES

INDICE ALLEGATI ANNEXES INDEX	
ALLEGATO N. ATTACHED No.	ARGOMENTO SUBJECT
250/16-56 250/16-56A 250/16-56B 250/16-56C	SEDILE CAPTAIN CHAIR CAPTAIN CHAIR SEAT
250/16-57 250/16-57A 250/16-57B 250/16-57C	MODIFICHE SU CUBO, ALZASEDILE, TELAIO DISTANZIALE E STAFFE MODIFICATION ON CUBE, HIGH ADJUSTER CUSHION FRAME, SPACER FRAMEWORK AND BRACKETS

RISULTATI DELLE VERIFICHE E PROVE / TEST RESULTS

Viste le caratteristiche tecnico-costruttive dei sedili in esame fornite dal costruttore, le verifiche e le prove eseguite si ritengono valide anche per tutti gli altri sedili previsti in alternativa.

Given the technical and structural characteristics of the seats in question provided by the manufacturer, the checks and tests are considered valid for all other seats provided in alternative.



VERIFICA DELLE CARATTERISTICHE GENERALI, DELLA POSIZIONE DEL PUNTO "H" E DELL'ANGOLO D'INCLINAZIONE DELLO SCHIENALE**VERIFICATION OF GENERAL CHARACTERISTICS, OF "H" POINT POSITION AND OF TORSO ANGLE OF THE BACKREST**

Per ciascun sedile è stato verificato, applicando la procedura di cui all'Allegato II della Direttiva CEE e dell'Allegato 3 del Regolamento ECE, che le coordinate del punto H e l'angolo effettivo d'inclinazione del tronco corrispondono, entro i limiti di tolleranza ammessi, ai rispettivi valori del punto R dichiarati dal costruttore.

In agreement with the procedure of Annex II of EEC Directive and of Annex 3 of ECE Regulation, for every seat it has been verified that the coordinates of H-point and the effective torso angle correspond, within the admitted limits of tolerance, to the respective values of R-point declared by the manufacturer.

È stato verificato che i sedili, previsti dal costruttore, soddisfano il punto 5.2. (4.3 dell'allegato III - 3.2.2. - 3.2.1.).

The seats, provided by the manufacturer, comply the item 5.2. (4.3 of the annex III - 3.2.2. - 3.2.1.).

3.3. (5.4.) | **PRESCRIZIONI SPECIALI PER SEDILI EQUIPAGGIATI CON APPOGGIATESTA** **SPECIAL REQUIREMENTS FOR SEATS FITTED WITH HEAD RESTRAINTS**

A) SEDILE CAPTAIN CHAIR ANTERIORE GUIDATORE / CAPTAIN CHAIR DRIVER FRONT SEAT

conforme all'allegato n. 199/16-56, sedile monoposto 6W
true to annex no. 199/16-56, mono seat 6W

I sedili sono dotati di appoggiatesta di tipo integrato (ai sensi del punto 2.12.2.).

The front seats are equipped with integrated head restraints (according to item 2.12.2.).

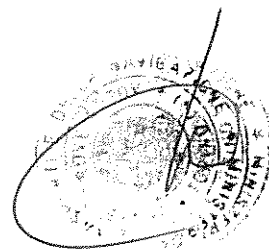
3.3.1. (5.5.1.) | L'appoggiatesta non presenta in qualsiasi posizione d'impiego asperità pericolose e spigoli vivi.
The head restraint does not present in any use position dangerous parts and dangerous edges.

3.3.2. (5.5.2.) | Le parti della faccia anteriore e posteriore dell'appoggiatesta situate "nell'area 1", determinata conformemente al punto 8.1.1.3. Appendice 1 (6.8.1.1.3.), sono in grado di dissipare energia, secondo l'Allegato II (Allegato 6), come riportato di seguito.
The parts of the front and rear areas of the headrest in the "area 1", as defined in paragraph 8.1.1.3. (6.8.1.1.3.), can pass the energy absorption test, in accordance with the requirements of Annex II (Annex 6), as below reported.

Direzione dell'urto: dall'avanti verso l'indietro / *Impact direction: from the front to the rear*

PUNTO DI IMPATTO <i>POINT OF IMPACT</i>	VELOCITÀ DI IMPATTO (km/h) <i>IMPACT SPEED (km/h)</i>	DECELERAZIONE MASSIMA (g) <i>MAXIMUM DECELERATION (g)</i>	DURATA DELLA DECELERAZIONE (ms) a livello cumulativo di 80 g <i>TIME OF DECELERATION (ms) at cumulative level of 80 g</i>	NOTE <i>NOTES</i>	NUMERO DI PROVA <i>TEST NUMBER</i>
Su mezzeria appoggiatesta <i>On the centre of head restraint</i>	24,57	23,10	--	--	1704_S01
A 70 mm dalla mezzeria appoggiatesta <i>At 70 mm from the centre of head restraint</i>	24,85	24,59	--	--	1704_S02

Durante tutte le prove effettuate, in nessun punto sono state rilevate sporgenze pericolose.
During all tests, at no point were detected dangerous protrusions.



Direzione dell'urto: dal retro verso l'avanti / Impact direction: from the front to the rear

PUNTO DI IMPATTO <i>POINT OF IMPACT</i>	VELOCITÀ DI IMPATTO (km/h) <i>IMPACT SPEED (km/h)</i>	DECELERAZIONE MASSIMA (g) <i>MAXIMUM DECELERATION (g)</i>	DURATA DELLA DECELERAZIONE (ms) a livello cumulativo di 80 g <i>TIME OF DECELERATION (ms) at cumulative level of 80 g</i>	NOTE <i>NOTES</i>	NUMERO DI PROVA <i>TEST NUMBER</i>
Su mezzeria appoggiatesta <i>On the centre of head restraint</i>	24,30	20,93	--	--	1704_S03
A 70 mm dalla mezzeria appoggiatesta <i>At 70 mm from the centre of head restraint</i>	24,68	24,37	--		1704_S04

Durante le prove, in nessun punto sono state rilevate sporgenze pericolose.
During all tests, at no point were detected dangerous protrusions.

B) SEDILE CAPTAIN CHAIR ANTERIORE PASSEGGERO / CAPTAIN CHAIR PASSENGER FRONT SEAT

conforme all'allegato n. 250/16-56 sedile monoposto 6W su piastra pivottante
true to annex no. 250/16-56, mono seat 6W on pivoting plate

Direzione dell'urto: dall'avanti verso l'indietro / Impact direction: from the front to the rear

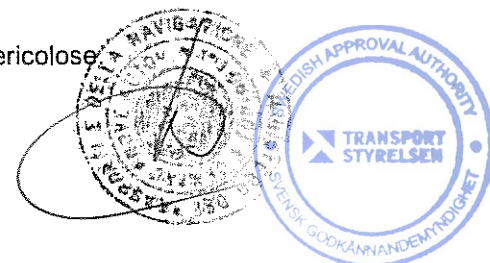
PUNTO DI IMPATTO <i>POINT OF IMPACT</i>	VELOCITÀ DI IMPATTO (km/h) <i>IMPACT SPEED (km/h)</i>	DECELERAZIONE MASSIMA (g) <i>MAXIMUM DECELERATION (g)</i>	DURATA DELLA DECELERAZIONE (ms) a livello cumulativo di 80 g <i>TIME OF DECELERATION (ms) at cumulative level of 80 g</i>	NOTE <i>NOTES</i>	NUMERO DI PROVA <i>TEST NUMBER</i>
Su mezzeria appoggiatesta <i>On the centre of head restraint</i>	24,80	31,13	--	--	1677_S04
A 70 mm dalla mezzeria appoggiatesta <i>At 70 mm from the centre of head restraint</i>	24,74	26,06	--		1677_S03

Durante le prove, in nessun punto sono state rilevate sporgenze pericolose.
During all tests, at no point were detected dangerous protrusions.

Direzione dell'urto: dal retro verso l'avanti / Impact direction: from the front to the rear

PUNTO DI IMPATTO <i>POINT OF IMPACT</i>	VELOCITÀ DI IMPATTO (km/h) <i>IMPACT SPEED (km/h)</i>	DECELERAZIONE MASSIMA (g) <i>MAXIMUM DECELERATION (g)</i>	DURATA DELLA DECELERAZIONE (ms) a livello cumulativo di 80 g <i>TIME OF DECELERATION (ms) at cumulative level of 80 g</i>	NOTE <i>NOTES</i>	NUMERO DI PROVA <i>TEST NUMBER</i>
Su mezzeria appoggiatesta <i>On the centre of head restraint</i>	24,35	19,53	--	--	1677_S01
A 70 mm dalla mezzeria appoggiatesta <i>At 70 mm from the centre of head restraint</i>	24,35	24,21	--		1677_S02

Durante tutte le prove effettuate, in nessun punto sono state rilevate sporgenze pericolose.
During all tests, at no point were detected dangerous protrusions.



- 3.3.3 (6.4.3.)** | **VERIFICHE ESEGUITE SUI SEDILI PREVISTI / TESTS EXECUTED ON THE SCHEDULED SEATS**
(Numero della prova / Test number: 1702_S / 1681_S)
- Le parti anteriore e posteriore degli appoggiatesta situati "nell'area 2", determinata conformemente al punto 8.1.2. (6.8.1.2.2.), sono debitamente imbottite con materiale di durezza < 50 SHORE (A) e non presentano asperità pericolose e spigoli vivi: la loro struttura interna contattabile presenta raggi di curvatura ≥ 5 mm, punto 3.2.4. (5.2.4.).
Parts of the front and rear face of head restraints situated in area 2, as defined in paragraph 8.1.2. (6.8.1.2.2.), are so padded as to prevent any direct contact of the head with the components of the structure and comply with the paragraph 3.2.4. (5.2.4.).
- 3.4.1 (5.6.1.)** | L'altezza dell'appoggiatesta, misurata secondo il paragrafo 5, Appendice 1 (6.5.) è risultata:
The height of head restraint, measured in accordance with the requirements of paragraph 5, Appendix 1 (6.5.), resulted:
- | | |
|--|---|
| 3.4.3.1. (5.6.3.1.) Sedile conforme al disegno n. / Seat true to drawing no. 250/16-56
(Passeggero fisso e girevole / Passenger fixed and revolving)
819,5 mm | n. della prova
test number
1681_S |
| 3.4.3.1. (5.6.3.1.) Sedile conforme al disegno n. / Seat true to drawing no. 250/16-56
(Guidatore 6W fisso / Driver 6W fixed)
817,5 mm | n. della prova
test number
1702_S |
- 3.5.1. (5.6.1.)** | È stato verificato che l'altezza del dispositivo, che serve da appoggio alla testa, misurata in base al punto 5 Appendice 1 (6.5.), è maggiore di 100 mm.
It has been verified that the height of the device for the rest of the head, measured in accordance with the requirements of paragraph 5, Appendix 1 (6.5.), is more than 100 mm.
- 3.6. (6.7.)** | La discontinuità tra lo schienale del sedile e dell'appoggiatesta, misurata perpendicolarmente alla linea di riferimento, è inferiore a 25 mm.
The gap between the backrest and the head restraint, measured above a plane perpendicular to the reference line, is less than 25 mm.
- 3.9. (5.11.)** | La larghezza dell'appoggiatesta misurata secondo il punto 6. Appendice 1 (6.6.) è risultata superiore a 85 mm da ambo le parti rispetto al piano di simmetria.
The width of head restraint, measured according to the procedure described in paragraph 6 Appendix 1 (6.6.), is more than 85 mm to each side of the vertical median plane of the seat.
- 3.10. (6.4.)** | Procedura di prova: conforme ai punti 4.1. Appendice 1 (6.4.1.) e 4.3. Appendice 1 (6.4.3.), con appoggiatesta nella posizione più alta.
Test procedure: complies with the items 4.1. Appendix 1 (6.4.1.) and 4.3. Appendix 1 (6.4.3.), with head restraint in the highest position.

DISTANZA "X" MISURATA / MEASURED "X" DISTANCE

15 mm (≤ 102 mm)	Sedile conforme al disegno n. 250/16-56, passeggero fisso e girevole <i>Seat true to annex no. 250/16-56, passenger fixed and revolving</i>	Numero di prova: Test number: 1681_S
40,5 mm (≤ 102 mm)	Sedile conforme al disegno n. 250/16-56, guidatore 6W fisso <i>Seat true to annex no. 250/16-56, driver 6W fixed</i>	Numero di prova / Test number: 1702_S

Per i sedili si è quindi aumentato il carico corrispondente alla forza iniziale fino a raggiungere il valore di 90 daN senza alcuna rottura del sedile o dello schienale.

For the seats the initial load has been increased to 90 daN without any breakage of the seat or of the backrest.

- 3.12. (5.14.)** | È stato verificato, che non è possibile superare l'altezza massima prescritta per l'uso senza un'azione volontaria da parte dell'utilizzatore "nettamente distinta" da quella per la regolazione (azione atta all'estrazione dell'appoggiatesta).
In the case of a height adjustable head restraint, it shall not be possible to raise it beyond the maximum operational height without a deliberate action by the user.



APPENDICE 1 / APPENDIX 1

2. (6.2.) Prova di resistenza dello schienale e dei rispettivi dispositivi di regolazione.
Poiché durante le prove dell'efficienza degli appoggiatesta ai sensi del punto 3.11. (5.12.) sopraccitate, non si è verificata alcuna rottura dello schienale e dei sedili, non si sono ripetute prove in base al punto 3.13. (5.14.).
Test of strength of backrest and of adjustment systems.
As during the tests of head restraints efficiency in accordance with paragraph 3.11. (5.12.), no ruptures of the seats and of the backrest has occurred, in according to item 3.13. (5.14.) it is not necessary to make other tests.
3. (6.3.) Prova di resistenza dell'ancoraggio del sedile e dei dispositivi di regolazione, di bloccaggio e di spostamento.
Test of strength of seat anchorage and adjustment, locking and displacement systems.

Sedile conforme all'allegato n. 250/16-57 / Seat true to annex no. 250/16-57

SENSO DELLA DECELERAZIONE <i>DIRECTION OF THE DECELERATION</i>	POSIZIONE DEL SEDILE: (con uno scatto in meno rispetto al fine corsa) <i>POSITION OF THE SEAT: (with 1 notch rearward or forward of the stop position)</i>	DECELERAZIONE APPLICATA (g) <i>APPLIED DECELERATION (g)</i>	TEMPO DI APPLICAZIONE (ms) <i>TIME OF APPLICATION (ms)</i>	NUMERO DI PROVA <i>TEST NUMBER</i>
URTO FRONTALE <i>FRONTAL IMPACT</i>	Sedile anteriore guida (tutto indietro, tutto basso) <i>Front driver seat (most rearward position, lowest position)</i>	≥ 20	42,26	9970_SG
	Sedile anteriore passeggero (tutto avanti) <i>Front passenger seat (most forward position)</i>			

SENSO DELLA DECELERAZIONE <i>DIRECTION OF THE DECELERATION</i>	POSIZIONE DEL SEDILE: (con uno scatto in meno rispetto al fine corsa) <i>POSITION OF THE SEAT: (with 1 notch rearward or forward of the stop position)</i>	DECELERAZIONE APPLICATA (g) <i>APPLIED DECELERATION (g)</i>	TEMPO DI APPLICAZIONE (ms) <i>TIME OF APPLICATION (ms)</i>	NUMERO DI PROVA <i>TEST NUMBER</i>
URTO POSTERIORE <i>REAR IMPACT</i>	Sedile anteriore guida (tutto avanti, tutto alto) <i>Front driver seat (most forward position, highest position)</i>	≥ 20	34,61	9971_SG
	Sedile anteriore passeggero (tutto indietro) <i>Front passenger seat (most rearward position)</i>			

Durante e dopo le prove è stata verificata la conformità alle prescrizioni di cui ai punti 3.2.5. (5.2.5.) e 3.2.6. (5.2.6.) / *During and after the tests the conformity to the prescriptions of paragraphs 3.2.5. (5.2.5.) and 3.2.6. (5.2.6.) has been verified.*

ISTRUZIONI PER L'USO (11) / INSTRUCTION FOR THE USE (11)

Il costruttore riporterà nel libretto "Uso e manutenzione", che accompagna la vettura, le istruzioni d'impiego degli appoggiatesta.

The Manufacturer will report on the "Owners Manual" accompanying the vehicle the instructions for the use of head restraints of front and rear seats.

NOTA / NOTE

I numeri dei paragrafi e/o dei punti indicati nel presente rapporto di prova privi di parentesi si riferiscono alla Direttiva n. 2005/39/CE, mentre quelli nelle parentesi si riferiscono al Regolamento Internazionale n. 17 emendamento 08.

The paragraph nos. and/or the item nos. above mentioned without brackets are referred to Directive no. 2005/39/EC. Those in the brackets refer to the International Regulation no.17 amendment 08.





Ministero delle Infrastrutture e della Mobilità Sostenibili
DIPARTIMENTO PER LA MOBILITA' SOSTENIBILE
Direzione Generale Territoriale del Nord-Ovest
Ufficio 7 - Centro Prova Autoveicoli di Torino

Verbale n. / Test report no. 0182/AS/TO-22

Verifiche per quanto riguarda i sedili, i loro ancoraggi e appoggiatesta
(Regolamento Internazionale n. 17, Serie di Emendamenti 09, Supplemento 1)

Checks concerning seats, their anchorages and any head restraints
(International Regulation no. 17, Series of Amendments 09, Supplement 1)

Costruttore del veicolo / Richiedente: <i>Vehicle Manufacturer / Applicant</i>	FCA Italy S.p.A. Corso G. Agnelli 200, 10135 Torino (I)
Mandatario: <i>Authorized representative</i>	-
Data della domanda: <i>Date of application</i>	15/09/2021
Marca: <i>Make</i>	FIAT
Tipo / Varianti: <i>Type / Variants</i>	250?????
Versioni: <i>Versions:</i>	Specificate nel Fascicolo di omologazione CE. <i>As reported in the EC Homologation dossier.</i>
Categoria internazionale: <i>International category</i>	N1, N2
Nome e indirizzo del Laboratorio di prova: <i>Name and address of Test laboratory</i>	-
Luogo di esecuzione delle prove: <i>Place of test execution</i>	-
Data delle verifiche: <i>Date of checks</i>	11/04/2022

Verbale di cui all'articolo 30 paragrafo 2 del Regolamento (UE) n. 2018/858.

Test report referred to in article 30 (2) of Regulation (EU) no. 2018/858.

È vietato riprodurre il presente documento ed i relativi allegati senza l'autorizzazione scritta del Servizio Tecnico e del Costruttore.

It is forbidden to reproduce the present document and relative enclosures without written authorization of the Technical Service and the Manufacturer.

Il testo ufficiale del presente Verbale è quello in lingua italiana. Il testo in lingua inglese è solo come fonte di consultazione.

The official text of this Test report is only in Italian. The English version is for reference only.





Il presente Verbale è redatto in conformità alle disposizioni dell'Allegato VII paragrafo 3 del Regolamento UE n. 2020/683
This Test report is edited in conformity with the provisions of Annex VII paragraph 3 of EU Regulation no. 2020/683

L'atto normativo di cui all'oggetto prevede un modello di Verbale? NO

A format of a test report has provided in the regulatory act mentioned in the subject?

Il Costruttore e l'autorità di omologazione o il servizio tecnico hanno identificato una configurazione peggiore da sottoporre a prova rappresentativa di tutte le configurazioni? N.A.

The Manufacturer and the type-approval authority or technical service have identified a worst-case configuration, to test that configuration as representatives of all the configurations?

PREMESSA

INTRODUCTION

I veicoli in oggetto differiscono dagli stessi, già sottoposti alle verifiche e prove (vedere il Verbale n. 473/AS/TO-05 del 23/09/2005 e successivi), per:

- l'adeguamento alla Serie 09 di Emendamenti del Regolamento Internazionale n. 17, limitatamente ai veicoli delle categorie N

come specificato nella documentazione n. 250/16 Aggiornamento n. 19 del 22/03/2022, fornita dal Costruttore.

The vehicles in object differ from the same, has been already checked and tested (see Test report no. 473/AS/TO-05 dated 23/09/2005 and following), for the adoption, as alternative, of:

- *the adoption of the 09 Series of Amendments of the International Regulation no. 17, limited to vehicles of N categories*

as specified in the documentation no. 250/16 Release no. 19 dated 22/03/2022, provided by the Manufacturer.

a) l'identificazione del veicolo sottoposto a prova: N.A.
the identification of the vehicle tested

Campionamento: Non è stato necessario eseguire alcun campionamento

Sampling: No sampling was required

b) una descrizione dettagliata delle caratteristiche del veicolo tecnica prescritte dall'atto normativo applicabile di cui all'Allegato II del Regolamento (UE) n. 2018/858:

a detailed description of the vehicle characteristics required by the applicable regulatory act listed in Annex II to Regulation (EU) no. 2018/858:

→ vedere documentazione n. 250/16 Aggiornamento n. 19

see documentation no. 250/16 Release no. 19

c) i risultati delle misurazioni prescritte dall'atto normativo applicabile
the results of the measurements required by the applicable regulatory act

→ vedere punto d) / *see point d)*

d) per ciascuna misurazione di cui al punto c), l'indicazione se sia stato rispettato il limite o la soglia stabilito/a dall'atto normativo applicabile

with regard to each measurement mentioned in point c), whether the limit or threshold laid down by the applicable regulatory act has been met

La Serie 09 del Regolamento Internazionale n. 16 riguarda la modalità di prova del trattenimento bagagli per veicoli di categoria M1.

I veicoli del tipo 250 interessati da questo verbale si ritengono adeguati alla suddetta Serie 09 senza necessità di ulteriori verifiche e prove, in quanto appartenenti esclusivamente alla categoria N.

Series 09 of International Regulation No. 16 concerns the luggage retention test method for M1 category vehicles.

Vehicles of type 250 involved in this test report are deemed to comply with the above-mentioned Series 09 without the need for further examination and testing, as they belong only to category N.

e) descrizione dei metodi di prova utilizzati e consentiti diversi da quelli prescritti negli atti normativi applicabili: N.A.
description of test methods used and permitted different than those prescribed in the applicable regulatory acts





f) fotografie scattate durante le prove (UE n. 2020/683 - Allegato VII - punto 3, f): N.A.
pictures taken during testing (EU no. 2020/683 - Annex VII - point 3, f)

g) Conclusioni generali delle verifiche:
Overall checks conclusions

E' stato verificato che / *It was verified that:*

Il veicolo sottoposto a verifiche, rappresentativo del tipo da omologare (comprese le varianti riportate nella documentazione n. 250/16 Agg. 19, inclusi i veicoli con guida a destra e quelli per circolazione a destra oppure a sinistra) è conforme a tutte le prescrizioni previste dall'atto normativo citato in oggetto.

The vehicle, system, component or separate technical unit checked representative of the type to be approved (as well as the vehicle variants reported in the documentation no. 250/16 Rel. 19, including the right-hand drive vehicles and those for right- or left-hand traffic) complies with all the requirements of the applicable regulatory act mentioned in the subject.

h) pareri o interpretazioni inclusi in questo Verbale: N.A.
opinions and interpretations included in this Test report

Luogo e data del verbale: Settimo Torinese, 11/04/2022

Place and date of test report

Il Funzionario del C.P.A. di Torino

The Officer of C.P.A. di Torino

Marco BORDONARO

Marco
Bordonaro
Ministero delle
Infrastrutture e
dei Trasporti

Visto

Il Direttore del C.P.A. di Torino

The Director of C.P.A. di Torino

Ing. Antonello PERSANO

Antonello Persano
Ministero delle
Infrastrutture e dei
Trasporti
08.06.2022 11:40:11
GMT+01:00

