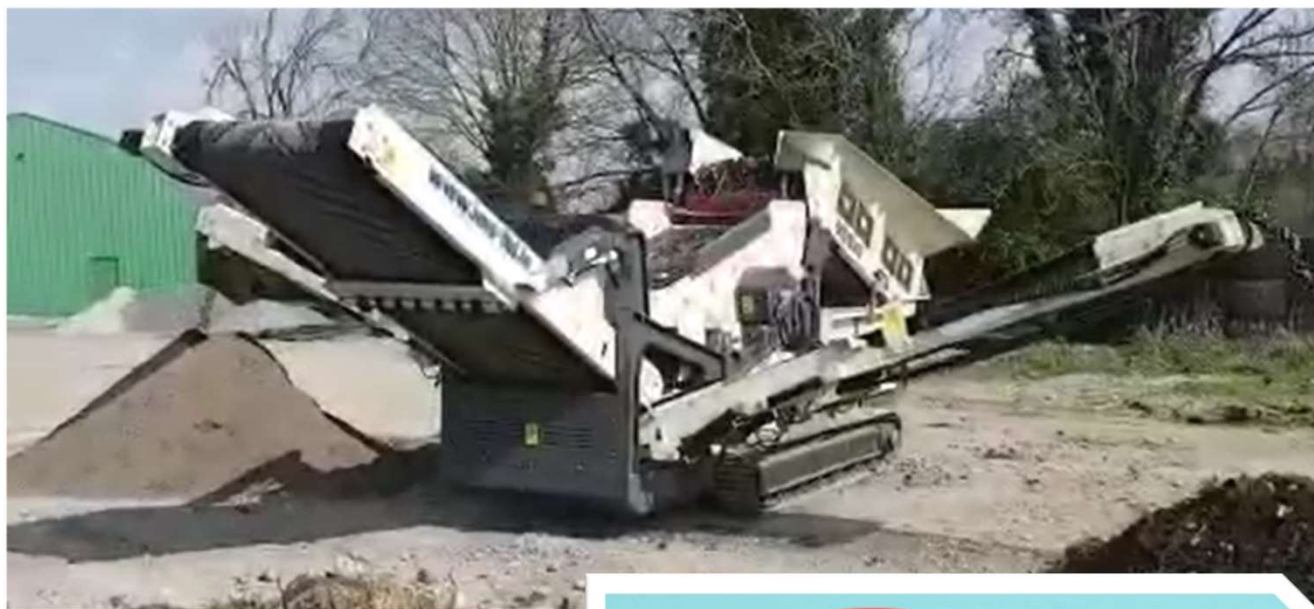




MS104T

Track Scalper

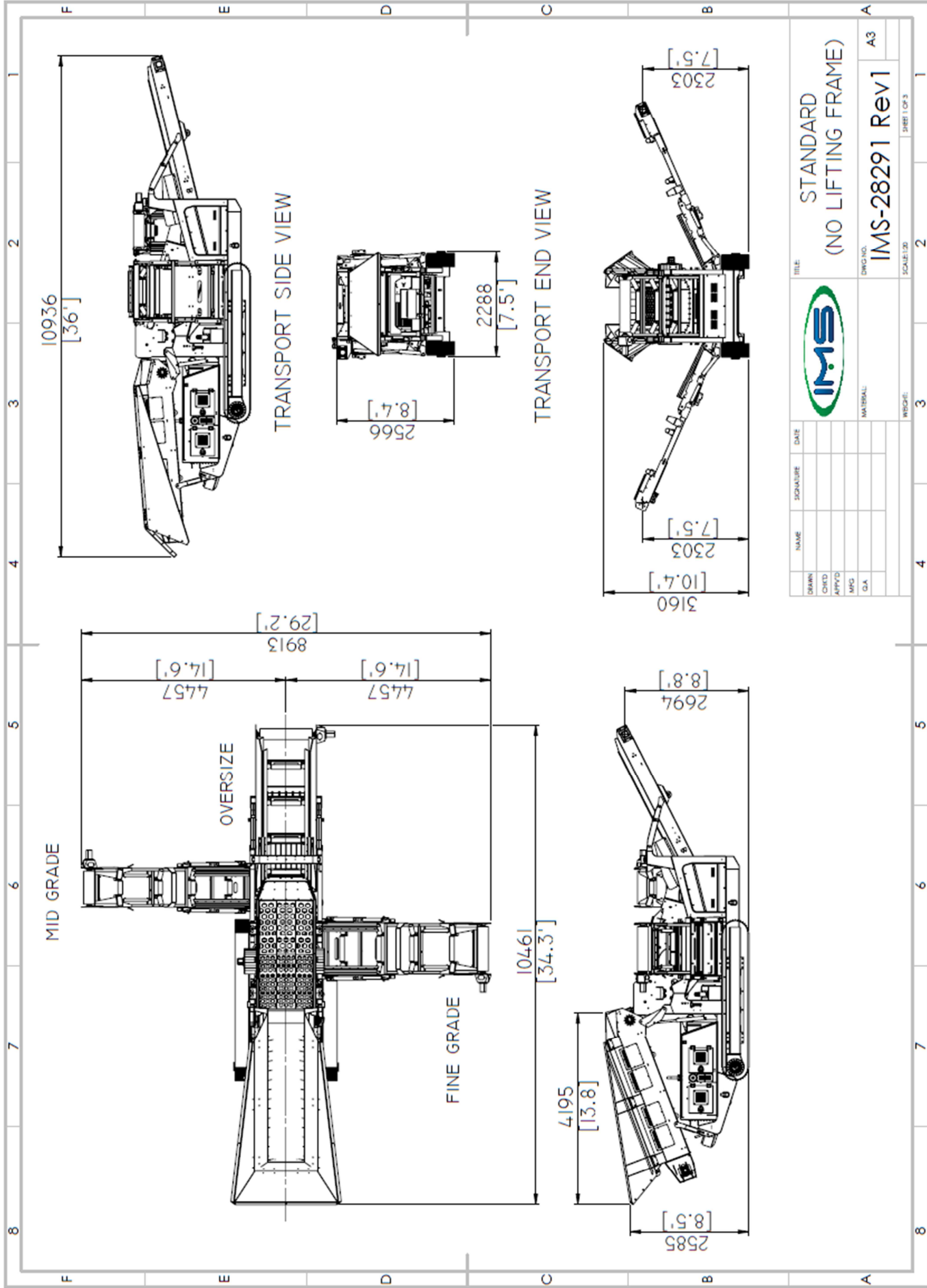


 YouTube

SEARCH

IMS MS104T





| | | |
|------------|-----------------------------|--------------|
| DRWING NO. | IMS-28291 Rev1 | A3 |
| SCALE | 1:20 | SHEET 1 OF 3 |
| TITLE | STANDARD (NO LIFTING FRAME) | |
| NAME | SIGNATURE | DATE |
| CHKD | APPRD | |
| MPD | | |
| QA | | |
| MATERIAL | | |
| WORK | | |



MS104T Three Way Mobile Scalping Screen, the flexible screening machine, aimed at small to medium sized operators who require a high performing, heavy duty, versatile machine that remains easy to transport.

Features and Benefits.

6 Yd (4.6M) Hopper with Variable Speed 40 inch (1000mm) Belt Feeder

10' x 4' 2" (3050mm x 1250mm) Double Deck screen with capacity up to 300 tph (depending on material type, feed size and screen media selection)

Caterpillar C2.2 74HP (55kW) T4F/Stage V Diesel Engine

Sauer Danfoss Hydraulic Motors

Hydraulic folding wing conveyors

Containerised for transport





Specification.

| | |
|-------------------|--|
| Total Weight: | 31900lbs (14500kgs) |
| Working Width: | 29'6" (9m) |
| Working Height | 10' 3" (3.12m) |
| Screen Size: | 10' x 4' 4" (3050mm x 1250mm) |
| Diesel Power: | 75HP (55KW) Tier 4F (USA) /Tier 5 (Europe) |
| Transport Width: | 8' 5" (2.56m) |
| Transport Height: | 7' 6" (2.3m) |
| Transport Length: | 34' 5" (10.5m) |

OPTIONS.

- Choice of Meshes
- Punch Plate
- Raise Frame



Due to Irish Manufacturing Services Limited's policy of continuing product improvements, specifications are subject to change without notice or obligation. No representation is made that the products depicted herein comply with any laws, codes, rules, regulations or standards. Compliance is the responsibility of the user. Additional safety equipment may be required by the particular location and application of product.

Irish Manufacturing Services Limited
34a Dunroe Road, Clogher, Co. Tyrone, N. Ireland BT76 0DZ
Tel. +44 (0)28 8554 9656 E-mail info@ims-ltd.ie website; www.ims-ltd.ie





