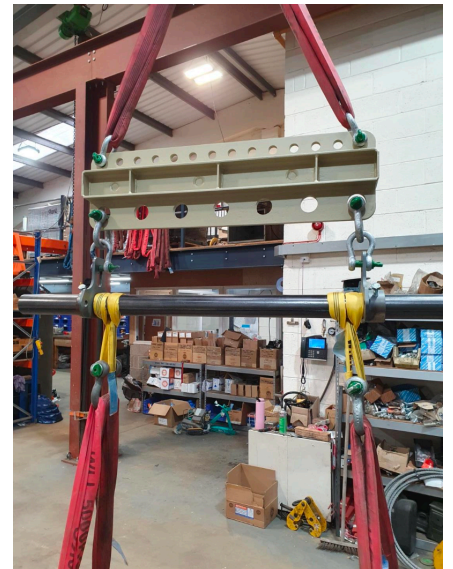
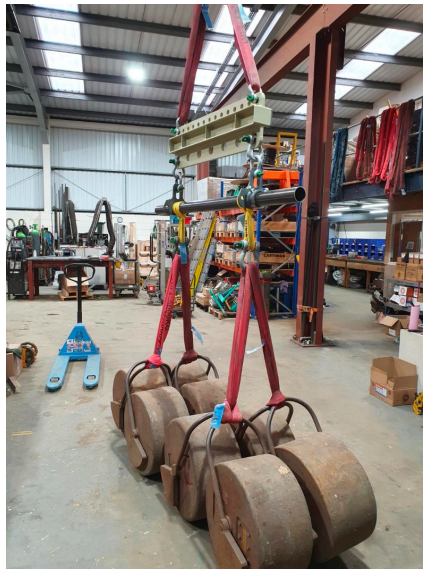
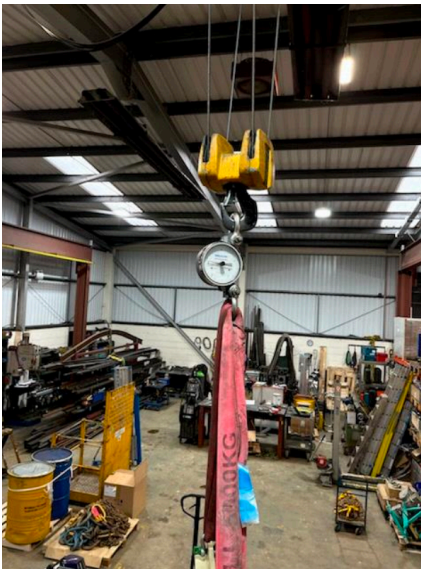
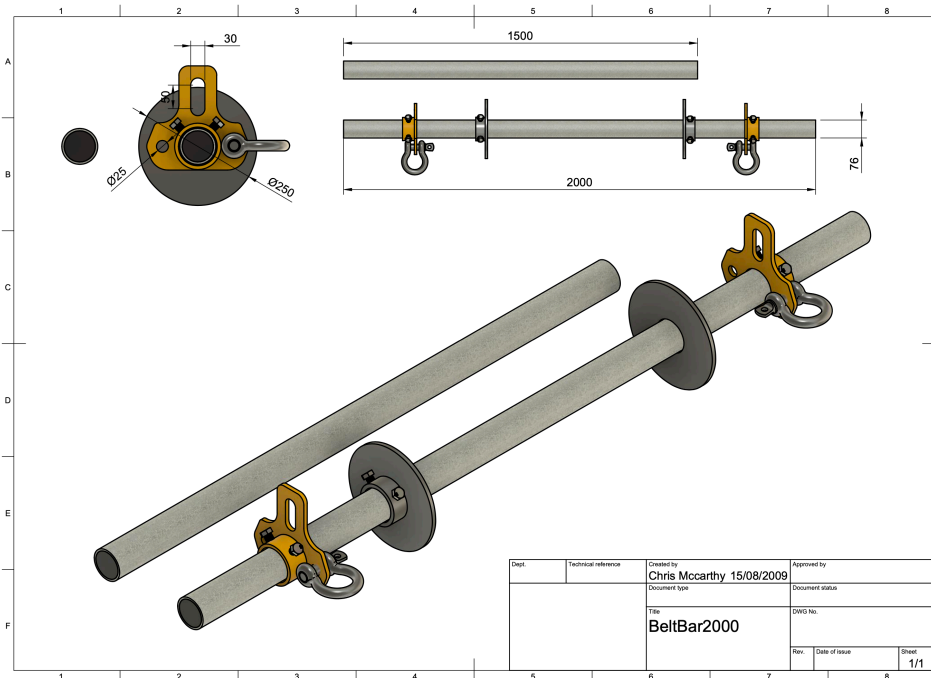




The Conveyor shop

www.theconveyorshop.co.uk +44(0) 116 2312183 sales@theconveyorshop.co.uk

The BeltBar has been designed with the conveyor belt industry in mind, The BellBar2000 comes with set of lifting eyes Inc D-links and set of belt steady collars, it also comes with 2 bar sizes 1500mm and 2000mm long both tested and rated for a safe working load of two tons



We also manufacture other belt handling products such as belt winders, slitting machines, belt stands, and other equipment.