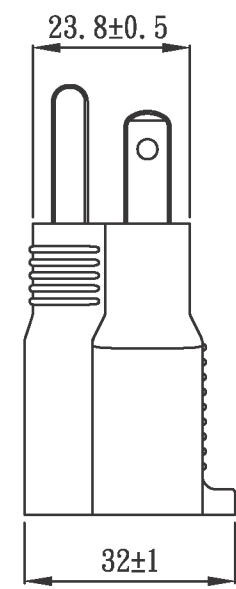
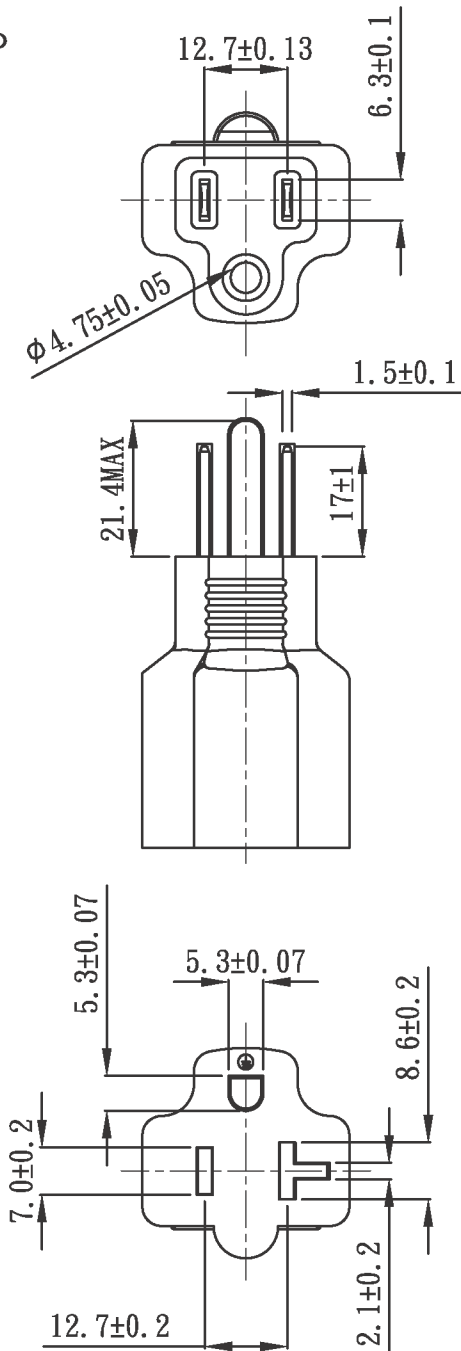
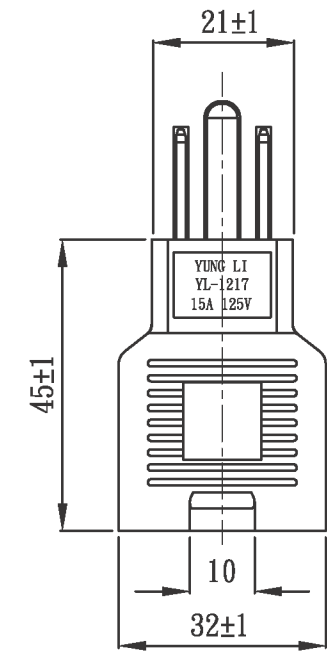


NEMA 5-20R to NEMA 5-15P



Note:

1. Rating: 15A 125V
2. Insulation Resistance: 100MΩ
3. Dielectric Voltage: 2000V/sec



TOLERANCE >0±0.30 >1.0±0.50 >10.0±1.0 >20.0±2.0 Angle: ±1°	APPROVED		DATE		PowerFig www.powerfig.com			
	CHECKED		DATE					
	DRAWN		DATE		CUSTOMER			
	TYPE	YL-1217			P/N			
	DRAWING NO.	CY-A1217	REV	B	MATERIAL	P. V. C	UNIT	mm
				SCALE	1:1			