

# Straight Blade Devices 20A, 125V, 2 Pole, 3 Wire Grounding Valise Connector Body

# HUBBELL



## Features

- Hinged one piece body design for easy assembly
- Powerful, offsetting cord grips clamp on individual conductors
- Assembly screws are captive and will not fall out while wiring

## Ordering Information

Description	Cord Diameter	UPC	Catalog Number
Yellow nylon	.220"-.660"(5.6-16.8)	783585013176	HBL5369VY



## Listings

UL Listed to UL498 File E1706  
CSA Certified to C22.2 No. 42 File 280C  
NEMA® WD-6 Compliant

## Specifications

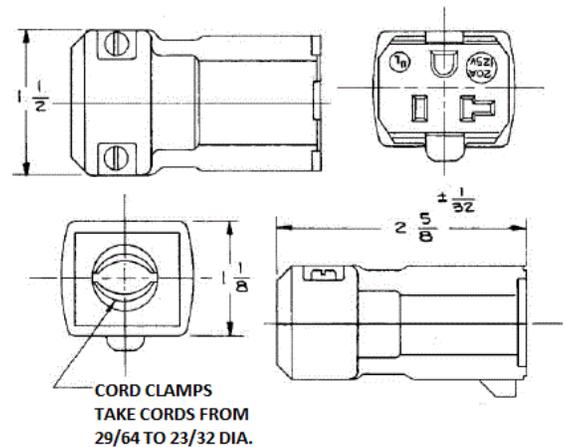
Housing	Nylon
Contacts	Brass
Assembly Screws	Plated Steel
Cable Inserts	PPO
Terminal Screws	#8-32 Brass , multiple drive
Terminal Clamp	Nickel plated steel
Assembly Screws	Plated steel

## Performance

<b>Electrical</b>	
Current Interrupting	Certified for current interrupting at full rated current
Dielectric Voltage	Withstands 2,000V minimum

<b>Mechanical</b>	
Product Identification	Ratings are a permanent part of the device
Terminal Accommodation	#18-#12 AWG stranded copper wire only
Terminal Identification	Terminals identified in accordance with UL 498 and CSA

<b>Environmental</b>	
Flammability	UL 94 HB or better
IP Suitability	IP20
Operating Temperatures	Maximum continuous 75°C; minimum -40°C (w/o impact)



## Resources

Customer Use Drawing  
eCatalog

Dimensions in Inches (mm)

Hubbell Wiring Device-Kellems • Hubbell Incorporated (Delaware) • 40 Waterview Drive • Shelton, CT 06484

Phone (800) 288-6000 • Fax (800) 255-1031 • Specifications subject to change without notice.

