

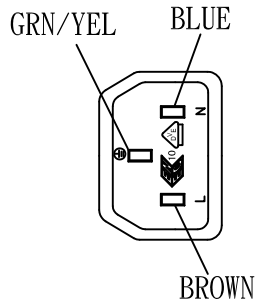


N/14885 CE

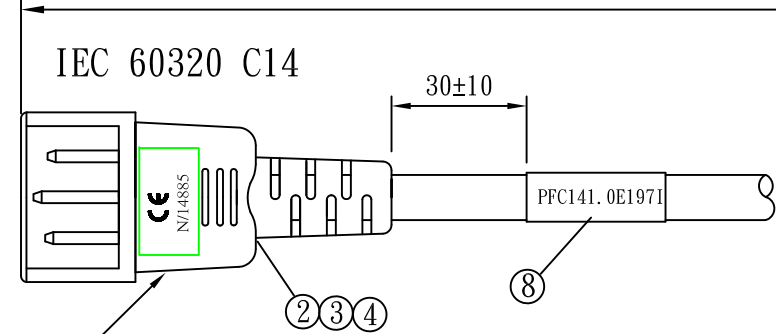


N/14877 CE

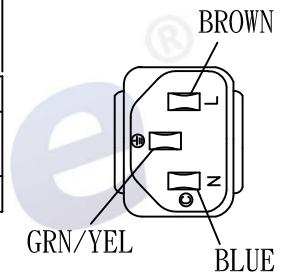
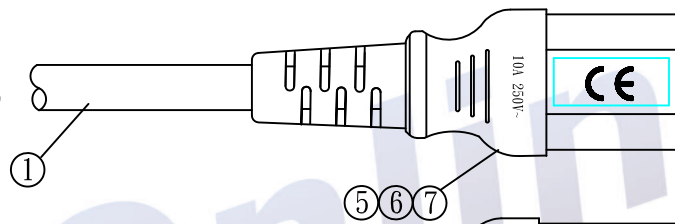
(197")5000±80



IEC 60320 C14

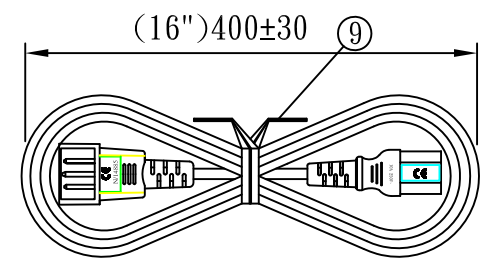
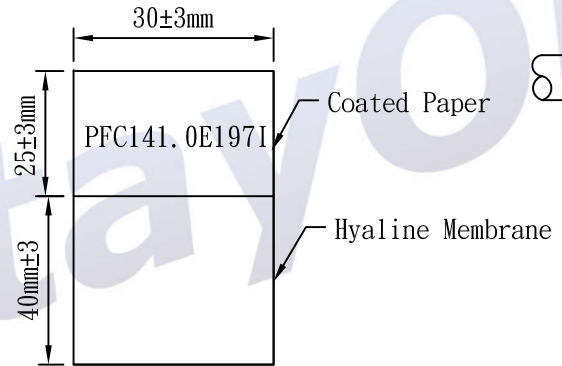


IEC 60320 C13



The Back Marking

YUNG LI
YP-32
10A 250V~



NO.	SPECIFICATION	Q' TY	REMARK
1	H05VV-F 1.0/3G Green(PT802C)	1PC	
2	YP-32 PVC PLASTIC:50P Green(PT802C)	15g/PC	
3	TER:98672BS-1	3PCS	
4	INNER BODY: 2X4 (MARKING) PT802C	1PC	
5	TER:97740	3PCS	
6	YC-12 INNER BODY	1PC	
7	YC-12 PVC PLASTIC:50P Green(PT802C)	18g/PC	
8	LABEL: (40+25)*30mm	1PC	
9	MIN TIE:L=210mm WHITE	1PC	

TOLERANCE >0±0.30 >1.0±0.50 >10.0±1.0 >20.0±2.0 Angle: ±1°	APPROVED		DATE		StayOnline®			
	CHECKED		DATE					
	DRAWN	SUKI	DATE	15.01.05	CUSTOMER			
	TYPE	YP-32/YC-12			P/N	PFC141.0E197I		
	DRAWING NO.	2760	REV	B	MATERIAL	P. V. C	UNIT	mm
				SCALE				