

Twist-Lock® Devices
 20A, 480V AC, 2 Pole, 3 Wire Grounding
 Insulgrip® Flanged Inlet

HUBBELL



Features

- Backwired terminations for ease of installation
- #10-32 Multiple drive terminal screws (Slotted, Phillips, Robertson)
- Mounting screws included



20A 480V AC
 NEMA L8-20P
 UL/CSA
 3 HP



Ordering Information

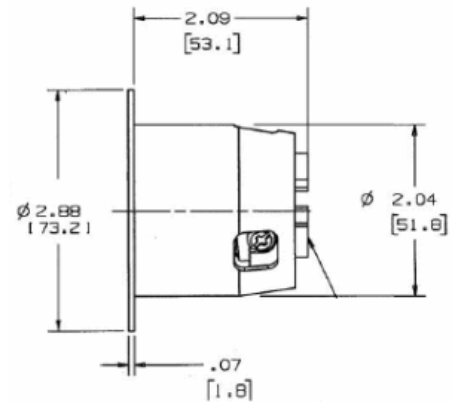
Description	Device Color	UPC	Catalog Number
Nylon casing, back wired	White	783585038001	HBL2345

Listings

Listed to UL 498
 Fed.Spec. W-C-596
 Certified to CSA C22.2 No.42

Specifications

Housing	Nylon
Terminal Retainer	Clear polycarbonate
Blades	Brass
Terminal Screws	#10-32 Brass (Phillips / Slotted / Robertson)
Terminal Clamp	Cold rolled steel – nickel plated
Assembly Screws	Steel - nickel plated
Mounting Screw	Nickel plated brass



Performance

Electrical	
Current Interrupting	Certified for current interrupting at full rated current
Dielectric Voltage	Withstands 2,000V minimum
Mechanical	
Cord Grip Accomodation	#16 AWG - #8 AWG solid or stranded copper wire only.
Terminal Identification	Terminals identified in accordance with UL 498
Environmental	
Flammability	HB or better per UL94/CSA 22.2 No.0.17
Moisture Resistance	IP20 Suitability
Operating Temperatures	Maximum Continuous 75°C. Minimum -40°C (w/o impact)

Accessories

Connector	HBL2343
Weatherproof Lift Cover	WP2

Resources

Customer Use Drawing
 eCatalog

Dimensions in Inches (mm)

Hubbell Wiring Device-Kellems • Hubbell Incorporated (Delaware) • 40 Waterview Drive • Shelton, CT 06484

Phone (800) 288-6000 • Fax (800) 255-1031 • Specifications subject to change without notice.

