

Twist-Lock® Devices  
 20A, 3 Phase Y 120/208V AC, 4 Pole, 5 Wire  
 Grounding  
 Insulgrip® Flanged Receptacle

# HUBBELL



## Features

- Backwired terminations for ease of installation
- #10-32 Multiple drive terminal screws (Slotted, Phillips, Robertson)
- Mounting screws included

## Ordering Information

Description	Device Color	UPC	Catalog Number
Nylon casing, back wired	White	783585038582	HBL2516

## Listings

Listed to UL 498  
 Fed.Spec. W-C-596  
 Certified to CSA C22.2 No.42

## Specifications

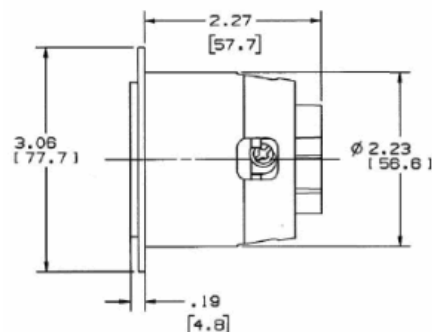
Housing	Nylon
Terminal Retainer	Clear polycarbonate
Contacts	Brass
Terminal Screws	#10-32 Brass (Phillips / Slotted / Robertson)
Terminal Clamp	Cold rolled steel – nickel plated
Assembly Screws	Steel - nickel plated
Mounting Screw	Nickel plated brass

## Performance

<b>Electrical</b>	
Current Interrupting	Certified for current interrupting at full rated current
Dielectric Voltage	Withstands 2,000V minimum
<b>Mechanical</b>	
Terminal Accommodation	#16 AWG - #8 AWG solid or stranded copper wire only.
Terminal Identification	Terminals identified in accordance with UL 498
<b>Environmental</b>	
Flammability	V2 or better per UL94/CSA 22.2 No.0.17
Moisture Resistance	IP20 Suitability
Operating Temperatures	Maximum Continuous 75°C; Minimum -40°C (w/o impact)



20A 3ØV  
 120/208V AC  
 NEMA L21-20R  
 UL/CSA  
 2 HP



## Accessories

Plug	HBL2511
Weatherproof Lift Cover	WP2

## Resources

Customer Use Drawing  
 eCatalog

Dimensions in Inches (mm)

Hubbell Wiring Device-Kellems • Hubbell Incorporated (Delaware) • 40 Waterview Drive • Shelton, CT 06484

Phone (800) 288-6000 • Fax (800) 255-1031 • Specifications subject to change without notice.

