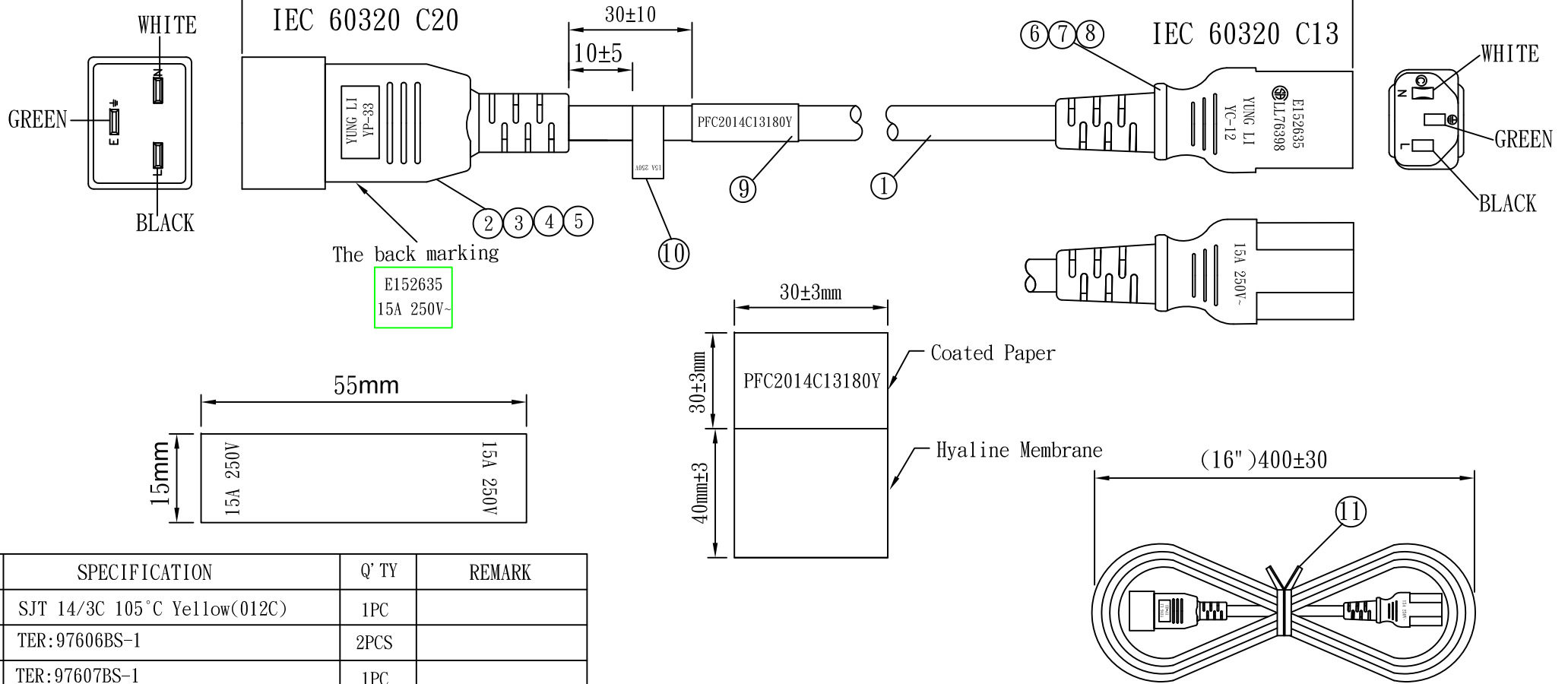




(180")4570±80



E152635  
15A 250V~

NO.	SPECIFICATION	Q' TY	REMARK
1	SJT 14/3C 105°C Yellow(012C)	1PC	
2	TER:97606BS-1	2PCS	
3	TER:97607BS-1	1PC	
4	YP-33 INNER BODY	1PC	
5	YP-33 PVC PLASTIC:35P Yellow(012C)	32g/PC	
6	TER:97740	3PCS	
7	YC-12 INNER BODY	1PC	
8	YC-12 PVC PLASTIC:35P Yellow(012C)	18g/PC	
9	LABEL:(40+30)*30mm	1PC	
10	LABEL:55*15mm	1PC	
11	MINI TIE:L=200mm WHITE	1PC	

Tolerance >0±0.30 >1.0±0.50 >10.0±1.0 >20.0±2.0 Angle: ±1°	Approved		Date		<b>StayOnline®</b>			
	Checked		Date					
	Drawn	SUKI	Date	12.08.06	Customer			
	Cat. No.	YP-33/YC-12			P/N.	PFC2014C13180Y		
	Drawing No.	CY-U3973		Rev.	B	Material	P. V. C	Unit
					Scale			