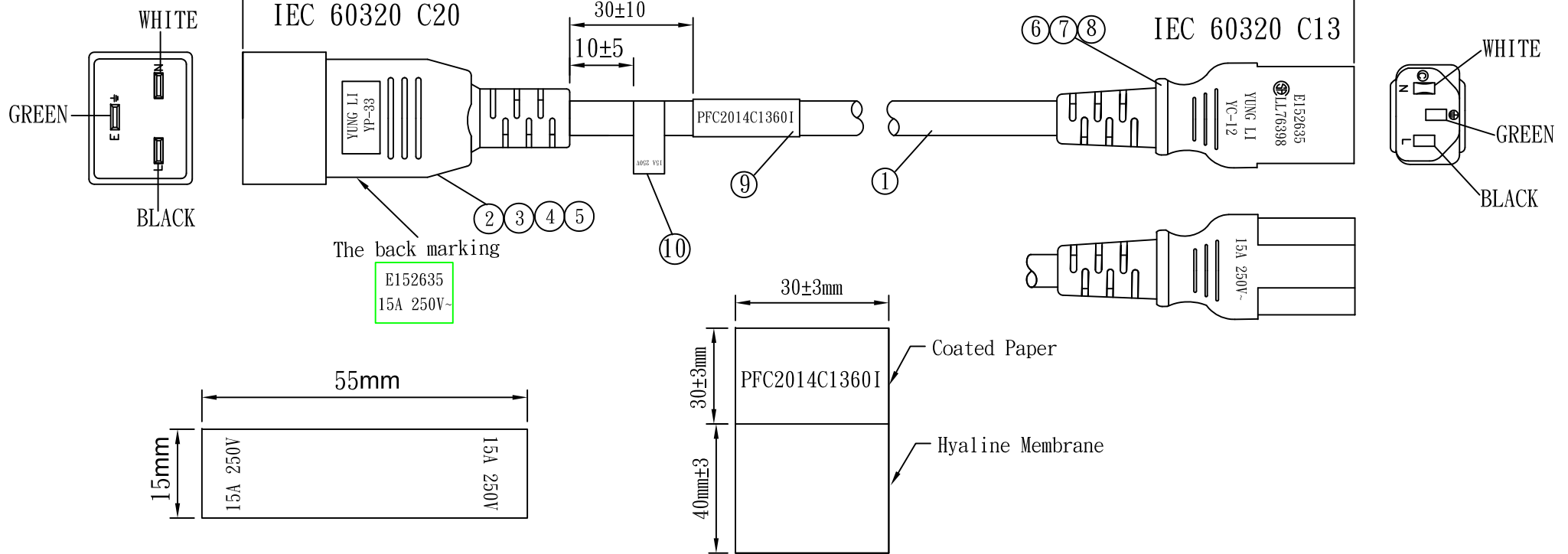




(60")1530±50



E152635
15A 250V-

NO.	SPECIFICATION	Q' TY	REMARK
1	SJT 14/3C 105°C Green(PT802C)	1PC	
2	TER:97606BS-1	2PCS	
3	TER:97607BS-1	1PC	
4	YP-33 INNER BODY	1PC	
5	YP-33 PVC PLASTIC:35P Green(PT802C)	32g/PC	
6	TER:97740	3PCS	
7	YC-12 INNER BODY	1PC	
8	YC-12 PVC PLASTIC:35P Green(PT802C)	18g/PC	
9	LABEL:(40+30)*30mm	1PC	
10	LABEL:55*15mm	1PC	

Packing:
1. Bulk Pack.
2. Bundles of 10 Pieces.

Tolerance >0±0.30 >1.0±0.50 >10.0±1.0 >20.0±2.0 Angle: ±1°	Approved		Date		StayOnline [®]			
	Checked		Date					
	Drawn	SUKI	Date	12.08.06	Customer			
	Cat. No.	YP-33/YC-12			P/N.	PFC2014C1360I		
	Drawing No.	CY-U3410		Rev.	B	Material	P. V. C	Unit
					Scale			