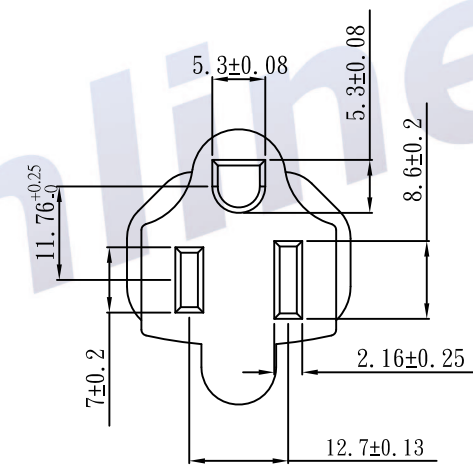
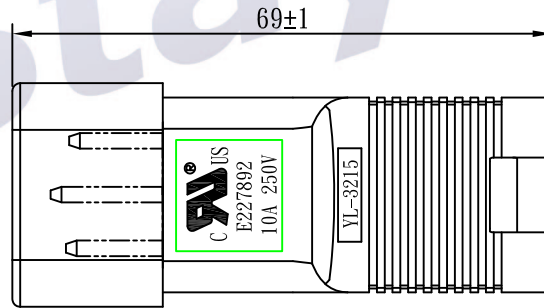
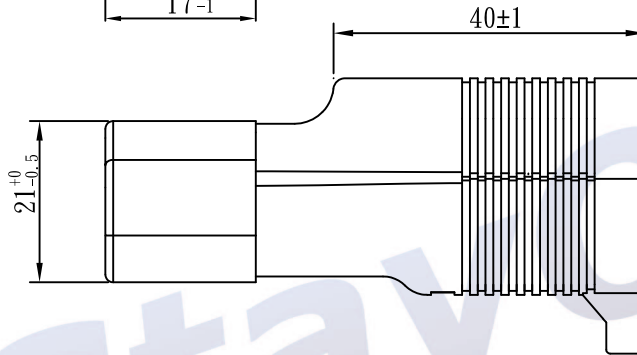
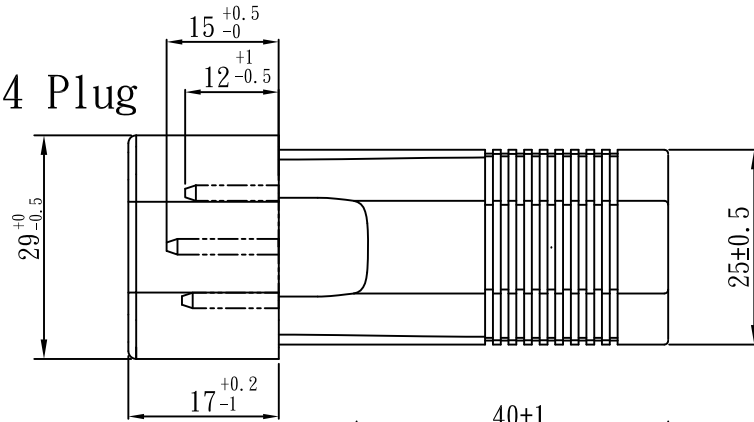
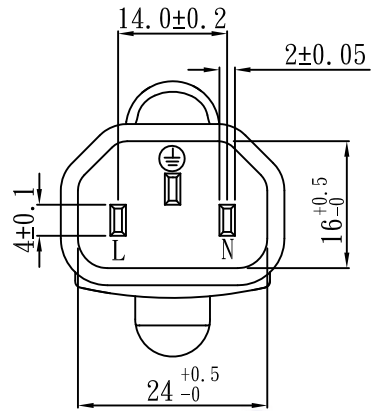




NEMA 5-15R to IEC 60320 C14 Plug



Note:

- 1.Rating: 10A 250V
- 2.Insulation Resistance:100MΩ
- 3.Dielectric Voltage:2000V/sec

Tolerance >0±0.30 >1.0±0.50 >10.0±1.0 >20.0±2.0 Angle: ±1°	Approved		Date		StayOnline®			
	Checked		Date					
	Drawn		Date		Customer			
	Cat. No.	YL-3215			P/N.			
	Drawing No.	6697		Rev.	B	Material	P.V.C	Unit
					Scale			