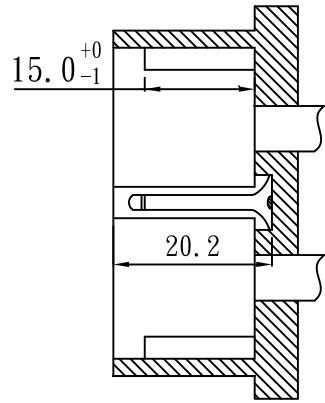
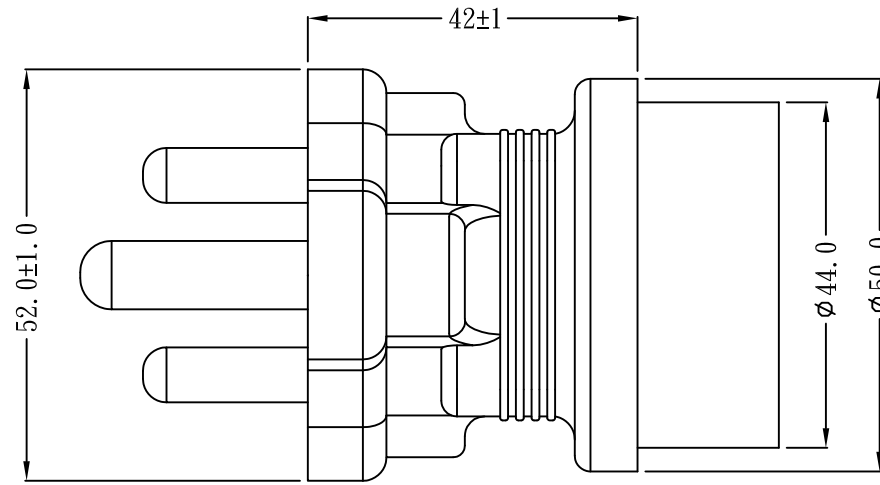


CEE 7/7 to BS 546 Plug

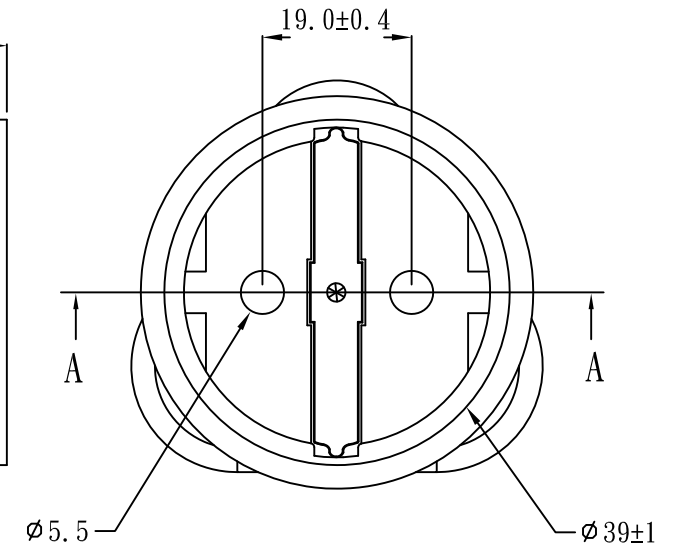
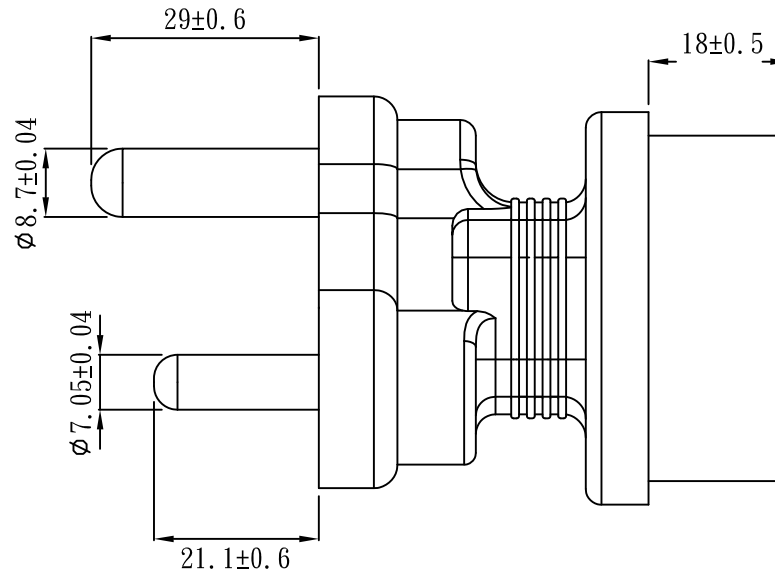
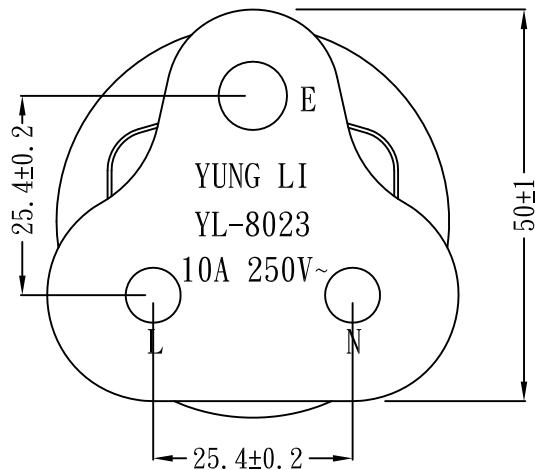


A--A



Note:

1. Rating: 10A 250V
2. Insulation Resistance: 100MΩ
3. Dielectric Voltage: 2000V/sec



| | | | | | | | | |
|--|-------------|---------|------|--|--------------------|---------|------|----|
| TOLERANCE >0±0.30 >1.0±0.50 >10.0±1.0 >20.0±2.0 Angle: ±1° | APPROVED | | DATE | | StayOnline® | | | |
| | CHECKED | | DATE | | | | | |
| | DRAWN | | DATE | | | | | |
| | TYPE | YL-8023 | | | P/N | | | |
| | DRAWING NO. | 4540 | | | MATERIAL | P. V. C | UNIT | mm |

StayOnline®

YL-8023

4540

P/N

MATERIAL

P. V. C

UNIT

mm

SCALE

1:1

