

## Twist-Lock® Devices

50A, 125/250V AC, 3 Pole, 4 Wire Grounding

## Receptacle

# HUBBELL



### Features

- Thermoset construction offers high heat resistance
- Armored housing provides superior impact resistance
- One piece contacts provide low operating temperatures

### Ordering Information

Description	Device Color	UPC	Catalog Number
Phenolic	Black	783585828107	CS6369



### Standards

Listed to UL 498  
Certified to CSA C22.2 No.42

### Specifications

Body	Phenolic
Face	Phenolic
Contacts	Brass
Terminal Screws	Steel
Insulator	Phenolic

### Performance

**Electrical**  
Current Interrupting Certified for current interrupting at full rated current

Dielectric Voltage Withstands 2,000V minimum

**Mechanical**  
Terminal Accommodation #10 AWG - #6 AWG solid or stranded copper wire only

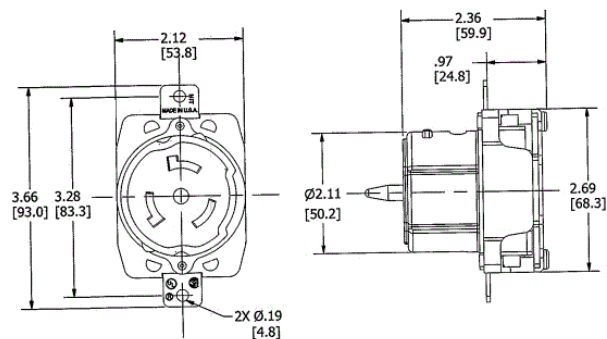
**Environmental**  
Flammability UL 94 V0  
Operating Temperatures Maximum continuous 75°C; minimum -40°C (w/o impact)

### Accessories

Plug	CS6365C
Weatherproof Lift Cover	HBL7774WO
Single Gang Stainless Steel Wallplate	SS750
4" Square Raised Cover	HBL50SC

### Online Resources

Customer Use Drawing  
eCatalog  
Installation Instructions



Dimensions in Inches (mm)

Hubbell Wiring Device-Kellems • Hubbell Incorporated (Delaware) • 40 Waterview Drive • Shelton, CT 06484

Phone (800) 288-6000 • Fax (800) 255-1031 • Specifications subject to change without notice.

