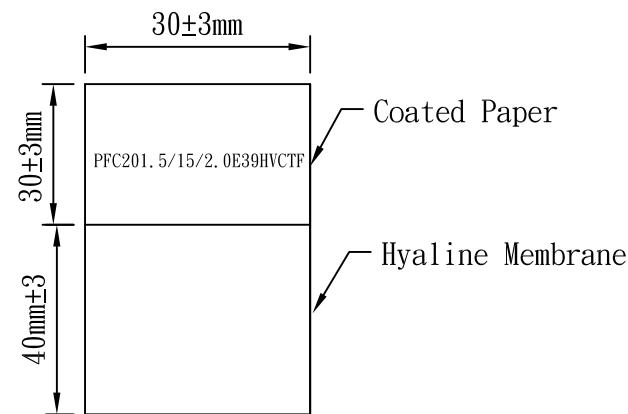
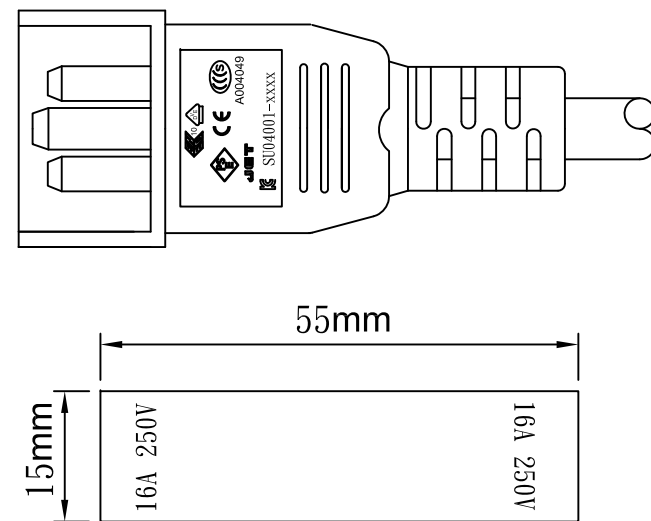
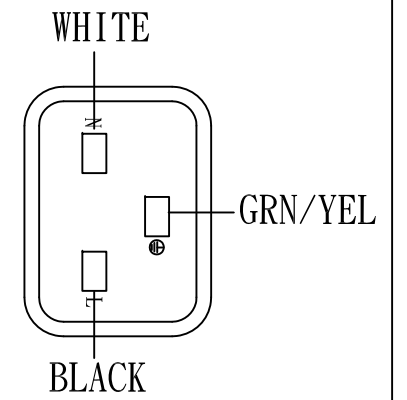
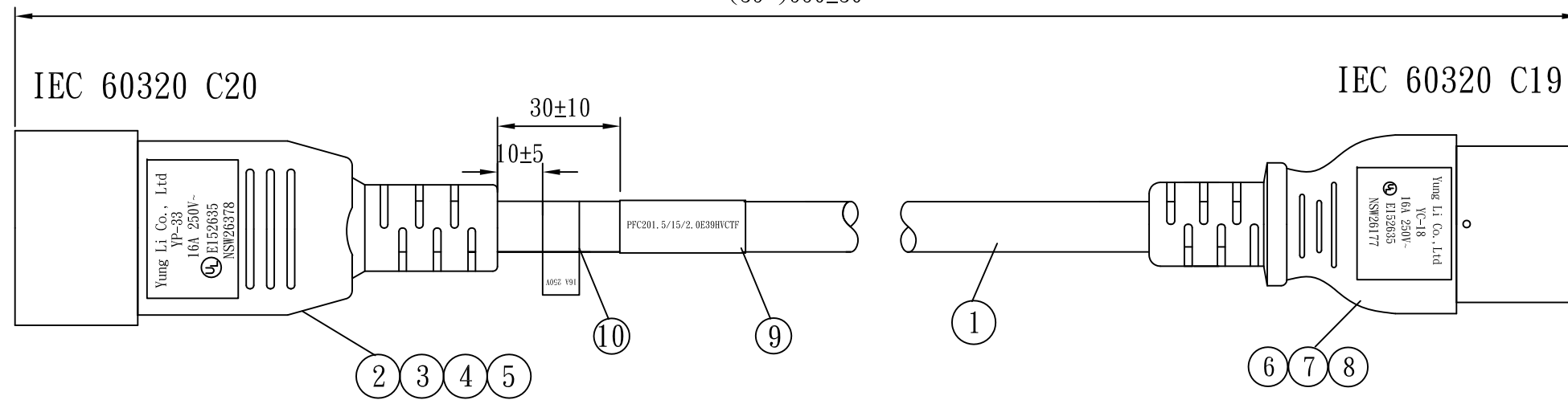
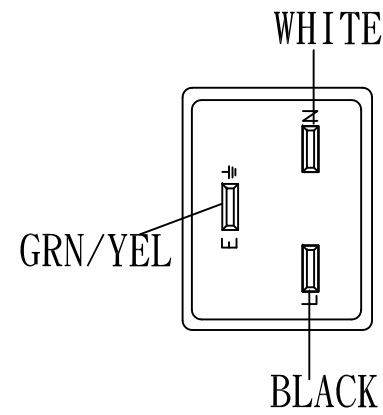


(39")990±30



Packing:
 1. Bulk Pack.
 2. Bundles of 10 Pieces.

NO.	DESCRIPTION	QTY	REMARK
1	1.5mm ² H05VV-F+15/3C SJT+2.0mm ² HVCTF BLACK	1PC	
2	YP-33 PVC PLASTIC:50P BLACK	32g/PC	
3	YP-33 INNER BODY	1PC	
4	TER:97606BS-1	2PCS	
5	TER:97607BS-1	1PC	
6	YC-18 PVC PLASTIC 50P BLACK	18g/PC	
7	YC-18 INNER BODY	1PC	
8	YC-18 TER:	3PCS	
9	LABEL: (40+30)*30mm	1PC	
10	LABEL: 55*15mm	1PC	

Wire Marking:

Yung Li Co., Ltd. H05VV-F 3G 1.5mm² <VDE> CE ES0140750 SU01027-4002

CCC A004049 60227 IEC 53(RVV) 300/500V c(UL)us E241374 SJT 3/C 15AWG(1.65mm²) 105°C 300V VW-1 <PS>E JET HVCTF 3X2.0mm² タイネツ -F-

Tolerance >0±0.30 >1.0±0.50 >10.0±1.0 >20.0±2.0 Angle: ±1°	Approved		Date		StayOnline®			
	Checked		Date					
	Drawn	JAMIE	Date	15.06.29	Customer			
	Cat. No.	YP-33/YC-18			P/N.	PFC201.5/15/2.0E39HVCTF		
	Drawing No.	6656		Rev.	B	Material	P. V. C	Unit
					Scale			