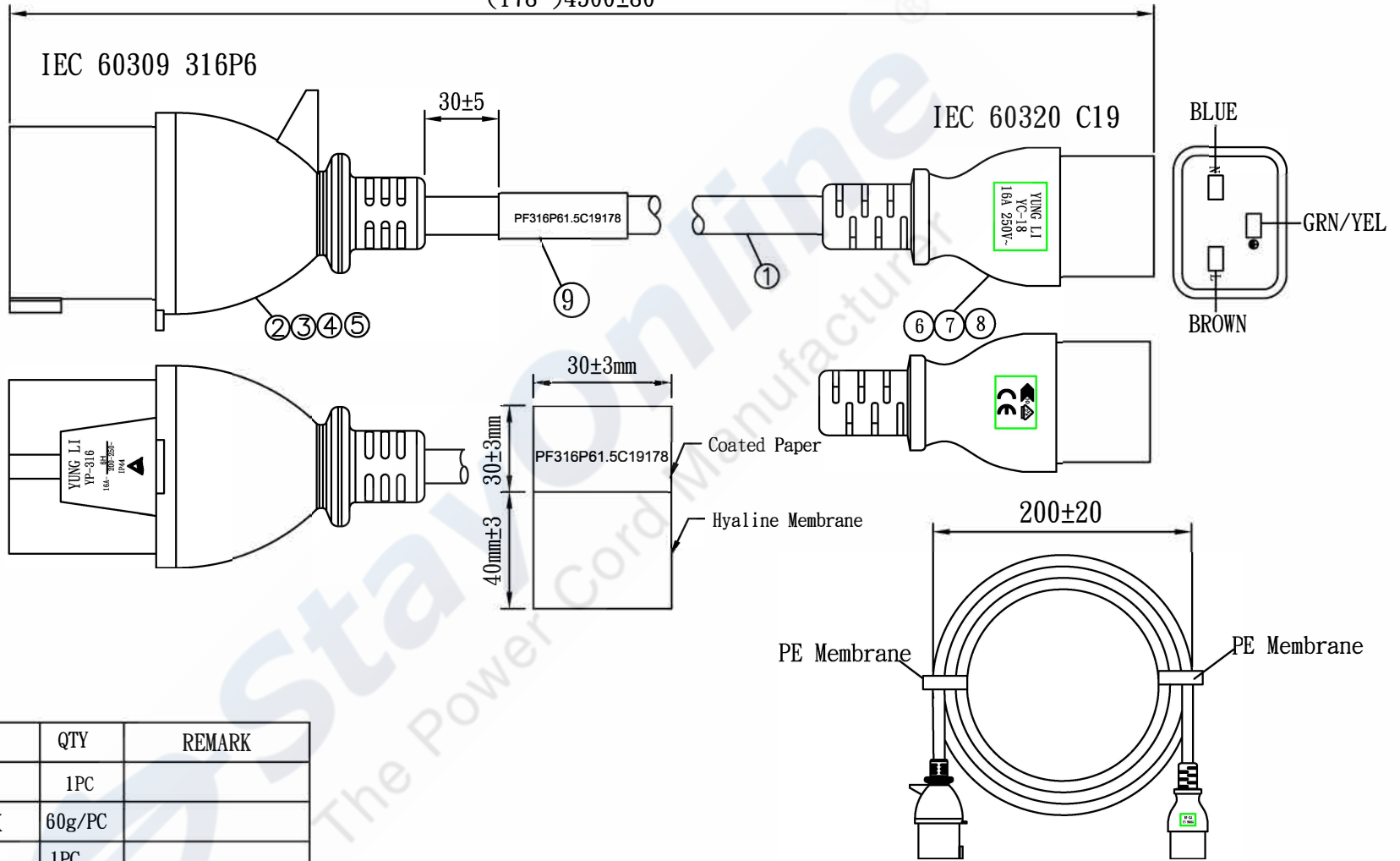
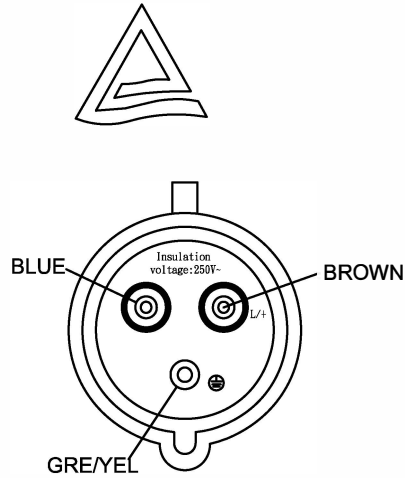




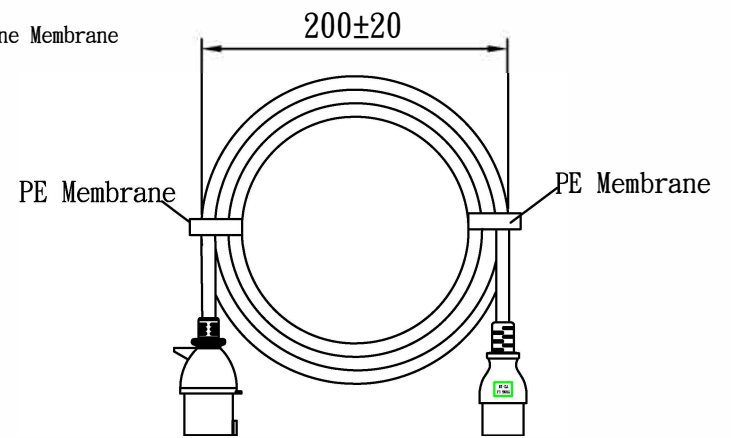
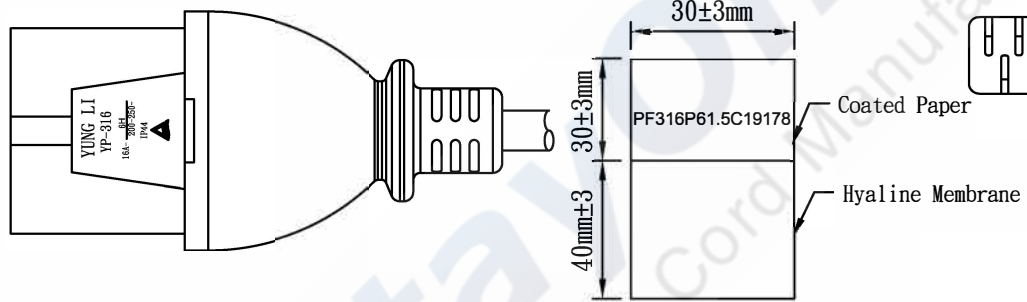
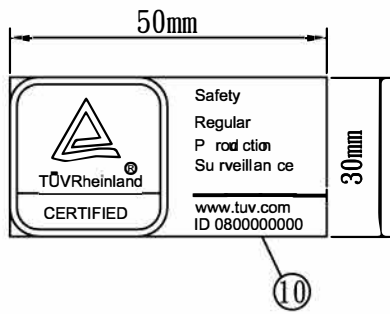
(178") 4500±80

IEC 60309 316P6

IEC 60320 C19



Outside box Label:



| NO. | SPECIFICATION | QTY | REMARK |
|-----|------------------------------|---------|--------|
| 1 | H05VV-F 1.5/3C BLACK | 1PC | |
| 2 | YP-316 PVC PLASTIC:50P BLACK | 60g/PC | |
| 3 | YP-316 INNER BODY BLUE | 1PC | |
| 4 | "L, N" TER: A95050-1 | 2PCS | |
| 5 | "G" TER:A95070-1 | 1PC | |
| 6 | YC-18 PVC PLASTIC:50P BLACK | 25g/PC | |
| 7 | YC-18 INNER BODY | 1PC | |
| 8 | YC-18 TER | 3PCS | |
| 9 | LABEL:(40+30)*30mm | 1PC | |
| 10 | Outside box Label:50x30mm | 1PC/Box | |

| | | | | | | | | |
|--|-------------|--------------|------|----------|--------------------|------------------|------|----|
| TOLERANCE >0±0.30 >1.0±0.50 >10.0±1.0 >20.0±2.0 Angle: ±1° | APPROVED | | DATE | | StayOnline® | | | |
| | CHECKED | | DATE | | | | | |
| | DRAWN | SUKI | DATE | 15.12.01 | CUSTOMER | Stay Online | | |
| | TYPE | YP-316/YC-18 | | | P/N | PF316P61.5C19178 | | |
| | DRAWING NO. | 8227a | REV | D | MATERIAL | P.V.C | UNIT | mm |
| | | | | HEFT(g) | | | | |