

Twist-Lock® Devices
20A Accessories
Weatherproof Boot

HUBBELL



Features

- Weather protective covering
- Durable thermoplastic elastomer material
- Ribbed design provides a secure grip



Ordering Information

| Description | Device Color | UPC | Catalog Number |
|--|--------------|--------------|----------------|
| Seal-Tite® triple seal boot for connector bodies when used in a cord set | Black | 783585752518 | HBL6032 |

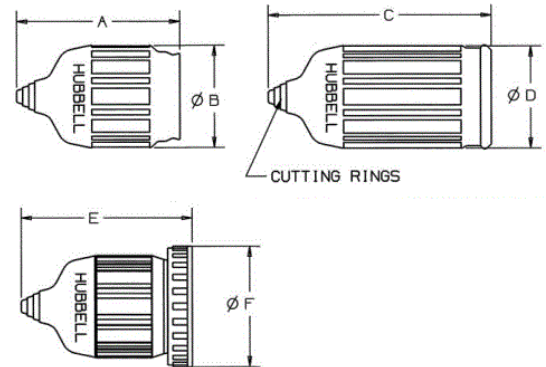
Specifications

| | |
|----------|-------------------------|
| Material | Thermoplastic Elastomer |
|----------|-------------------------|

Performance

Environmental

| | |
|------------------------|---|
| Moisture Resistance | IP55 |
| Operating Temperatures | Maximum Continuous 75°C; Minimum -40°C (w/o impact) |



Accessories

| | |
|-------------------------|-------------------------------------|
| Connector Accommodation | 20 Amp & 30 Amp, 3 Wire Twist-Lock® |
|-------------------------|-------------------------------------|

Resources

Customer Use Drawing
eCatalog

Dimensions in Inches (mm)

Hubbell Wiring Device-Kellems • Hubbell Incorporated (Delaware) • 40 Waterview Drive • Shelton, CT 06484

Phone (800) 288-6000 • Fax (800) 255-1031 • Specifications subject to change without notice.

