

Straight Blade Devices
 30A, 125/250V, 3 Pole, 3 Wire Non-Grounding
 Plug

HUBBELL

Ordering Information

Description	Cord Diameter	UPC	Catalog Number
Plug, nylon, angle, 4-position	.625"-1.187" (15.9-30.1)	783585015422	HBL9333

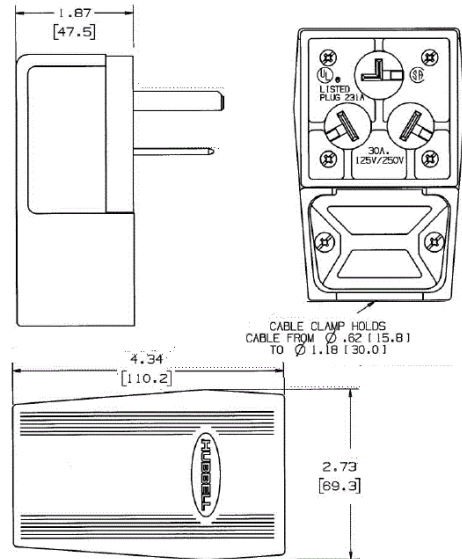


Specifications

Housing	Supertough Nylon
Blade Holder	Reinforced Thermoplastic Polyester
Terminal Retainer	Reinforced Thermoplastic Polyester
Cord Clamp	Reinforced Thermoplastic Polyester
Box Terminals	Brass

Performance

Electrical	
Current Interrupting	Certified for current interrupting at full rated current
Dielectric Voltage	Withstands 2,000V minimum
Mechanical	
Product Identification	Ratings are a permanent part of the device
Terminal Accommodation	#12-#4 AWG copper stranded or solid conductor only
Terminal Identification	Terminals identified in accordance with UL 498 and CSA
Environmental	
Flammability	UL 94 V-2
IP Suitability	IP20
Operating Temperatures	Maximum continuous 75°C; minimum -40°C (w/o impact)



Resources

Customer Use Drawing
 eCatalog