

Hubbell Straight Blade Devices
50A, 3-Phase 120/208V AC, 4 Pole, 4
Wire Non-Grounding Plug

Features

- Powerful cord grip prevents conductor slippage and strain on wiring terminals
- Totally insulated impact and crush resistant nylon body
- Unique patented clamp type terminals provide a superior electrical connection by bundling the conductor strands when clamps are tightened



Ordering Information

Description	Cord Diameter	Hubbell Number
Plug, nylon, angle, 4-position	.625" - 1.310" (15.9 - 33.3 mm)	HBL8352C

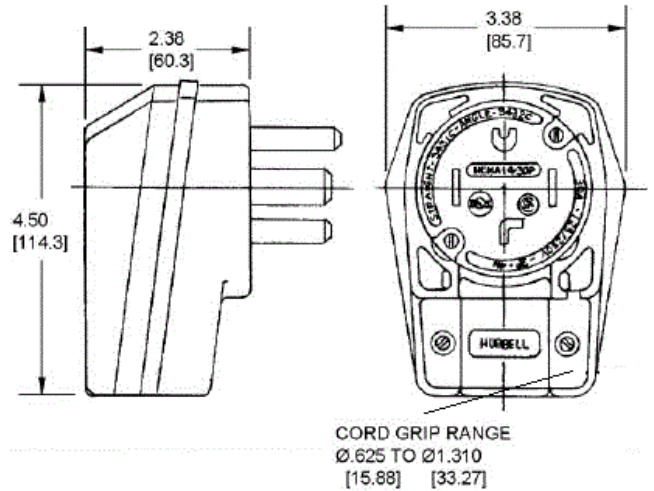
Stay Online Item # 7982

Listings

UL Listed

Specifications

Housing / Cord Clamp	Nylon
Blade Holder	Reinforced Thermoplastic Polyester
Blades	Brass
Box Terminals	Copper Alloy
Assembly Screws	Stainless steel



Performance

Electrical

Current Interrupting	Certified for current interrupting at full rated current
Dielect Voltage	Withstands 2,000V minimum

Mechanical

Terminal Accommodation	#12 AWG - #4 AWG stranded copper wire only.
------------------------	---

Environmental

Flammability	UL 94 HB
Moisture Resistance	IP20 Suitability
Operating Temperatures	Maximum Continuous 75°C Minimum -40°C (w/o impact)