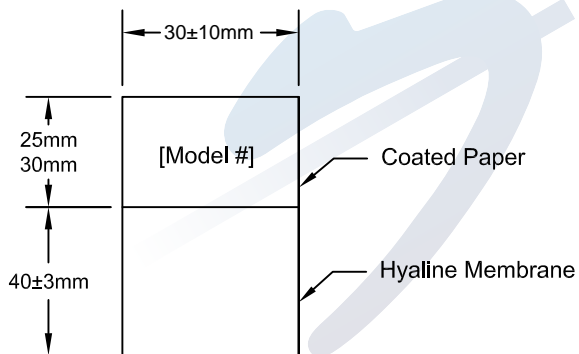


Mold Markings:
10A 250V

Jacket Marking:
VDE, NF, CCC RVV,
KC

Mold Markings:
10A 250V



Packing: Bundled to Ease Installation

No.	Specification	QTY	Remarks	UL File No.	Approved	Date	StayOnline®				
1	H05VV 1.0mm ² /3 70° C° BLUE	1PC		E250704 E257089 E115330 E152635 E72389	Checked	Date		Customer			
2	Plug IEC 60320 C14 BLUE	1PC			Drawn	Date	15SEP2020	Model #	PFC141.0E79C		
3	Connector IEC 60320 C13 BLUE	1PC			Item No.	6133		Material	PVC	Units	mm
4	LABEL: (40+30) * 30 mm	1PC	MAX Length = 73mm		Drawing No.		Rev.	A	Scale		⊕