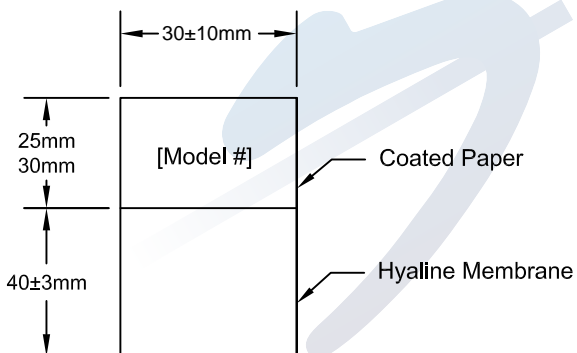


Mold Markings:

Jacket Marking:  
 UL, cUL

Mold Markings:



**Packing: Bundled to Ease Installation**

No.	Specification	QTY	Remarks	UL File No.	Approved	Date	<b>StayOnline®</b>				
1	SJT 14 AWG/3 105° C° RED	1PC		E250704 E257089 E115330 E152635 E72389	Checked	Date	15SEP2020	Customer			
2	Plug IEC 60320 C14 RED	1PC			Drawn	Date		Model #	SPFC1414C1572R		
3	Connector IEC 60320 C15 RED	1PC			Item No.	S3985		Material	PVC	Units	mm
4	LABEL: (40+30) * 30 mm	1PC	MAX Length = 73mm		Drawing No.		Rev.	A	Scale		