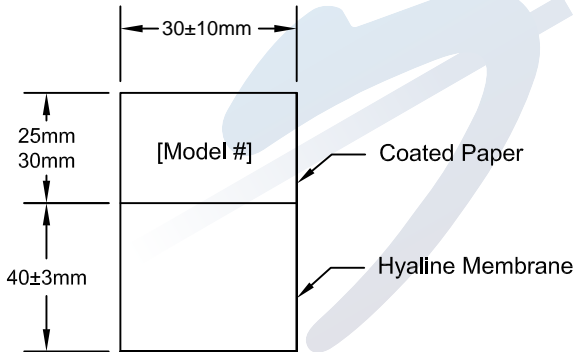


Mold Markings:

Jacket Marking:  
 UL, cUL

Mold Markings:



**Packing: Bundled to Ease Installation**

No.	Specification	QTY	Remarks	UL File No.	Approved	Date	<b>StayOnline®</b>				
1	SJT 18 AWG/3 105° C° YELLOW	1PC		E250704 E257089 E115330 E152635 E72389	Checked	Date		Customer			
2	Plug IEC 60320 C14 YELLOW	1PC			Drawn	Date	15SEP2020	Model #	SPFC1418E97Y		
3	Connector IEC 60320 C13 YELLOW	1PC			Item No.	S2690A		Material	PVC	Units	mm
4	LABEL: (40+30) * 30 mm	1PC	MAX Length = 73mm		Drawing No.		Rev.	A	Scale		