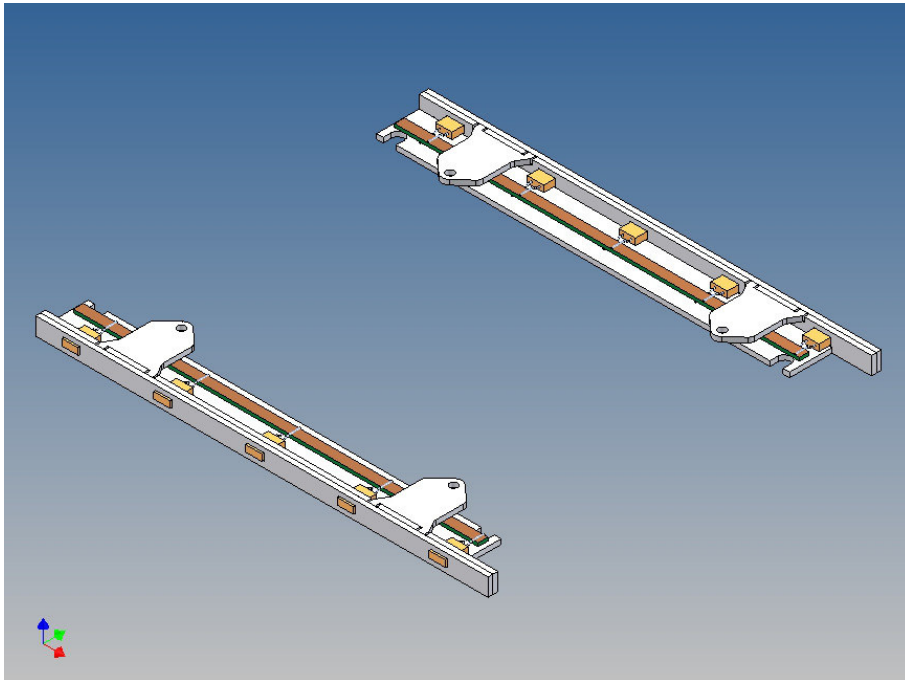


Assembly Instruction

**LED-bar kit for
Full profile boxes for
Tamiya MAN 3-axle (1:14,5)**

Best.-Nr.: 2016-9133-3A-LL



Version 1.0 – 20.06.2016

General Description

This polystyrene-milled parts set for 2 LED strips is available as an accessory to the full profile boxes for Tamiya MAN 3-axle (1: 14.5).

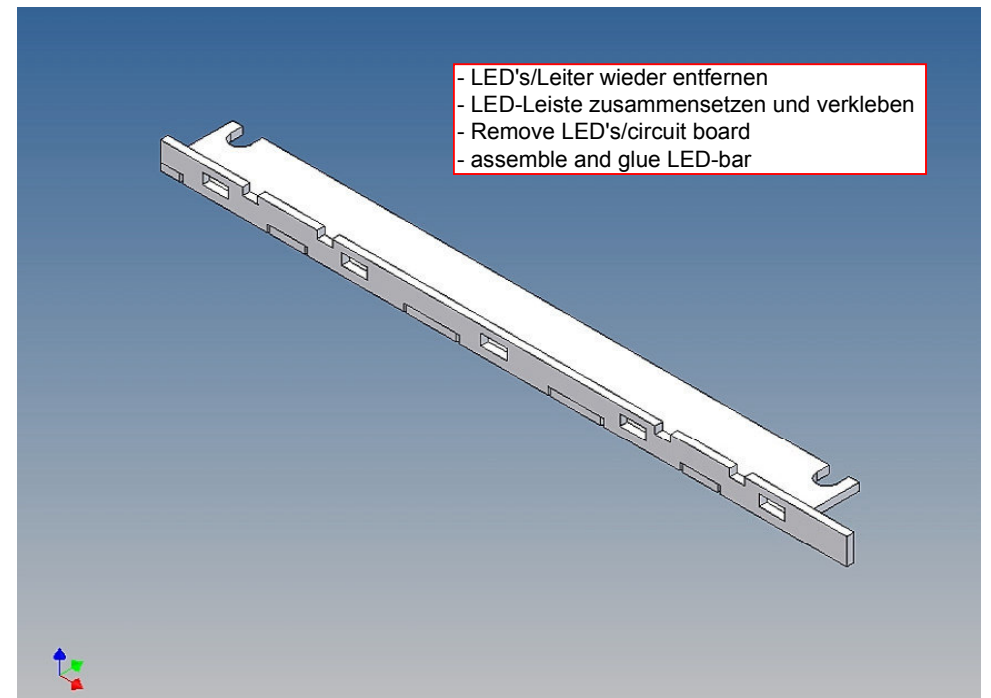
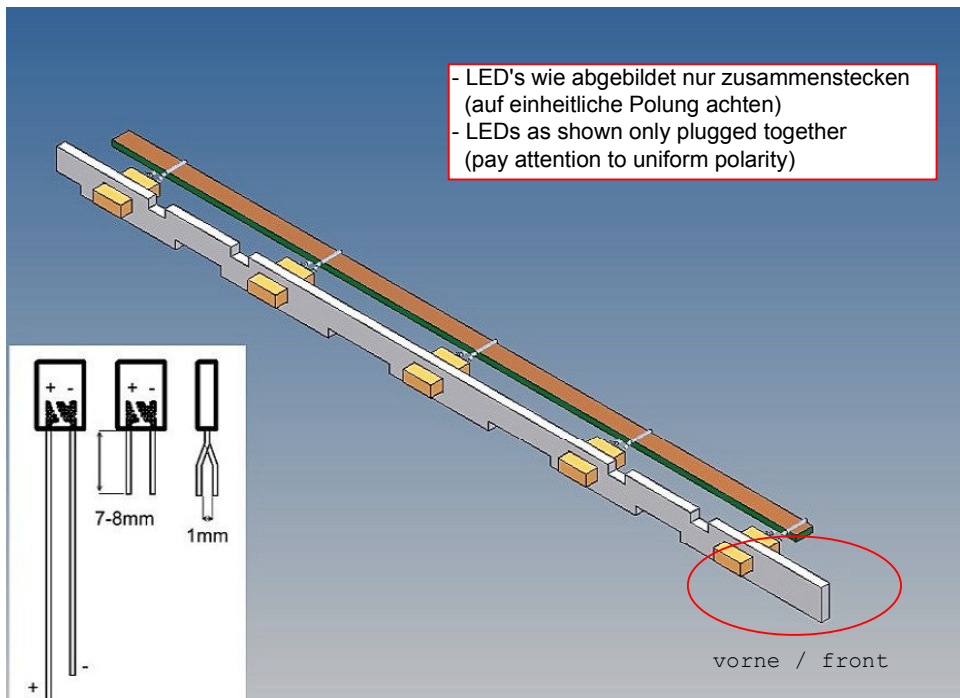
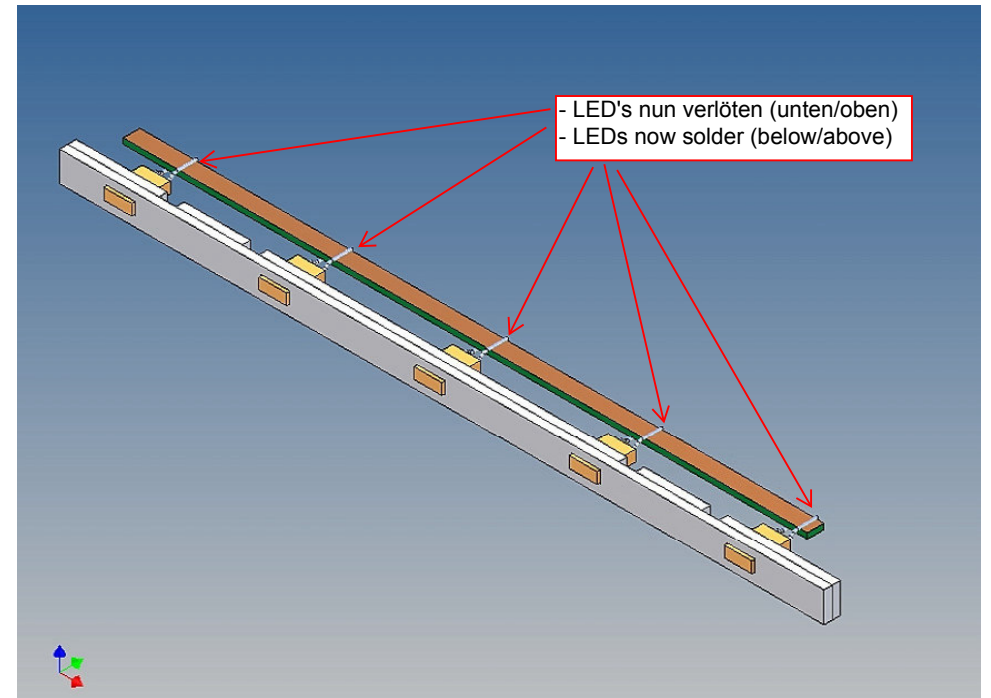
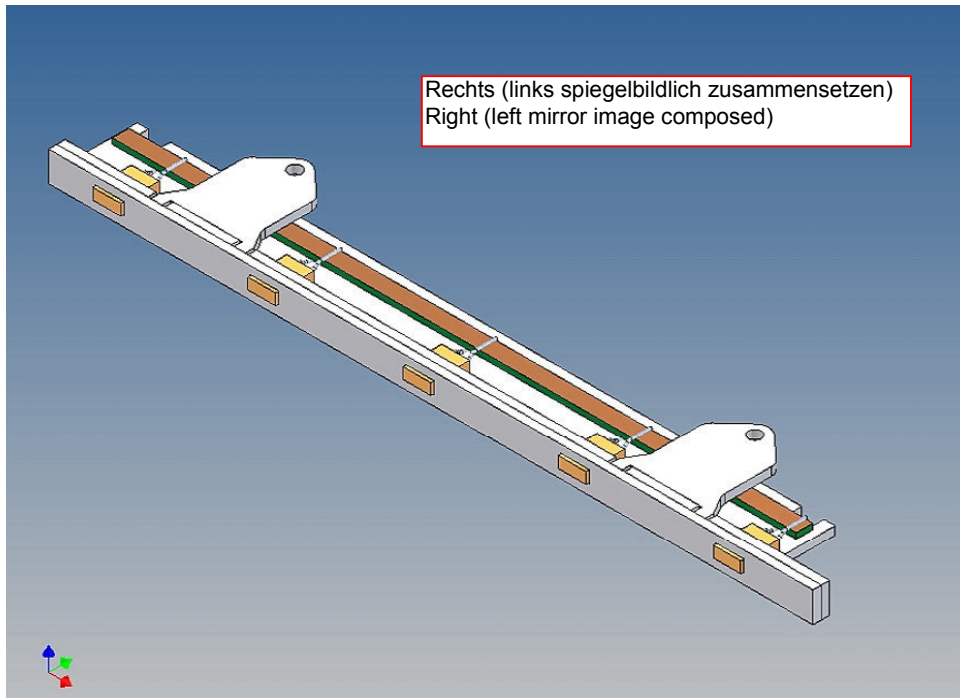
The LED strips can be screwed at the underside of the full profile boxes and have an attachable front panel, which can be painted accordingly.

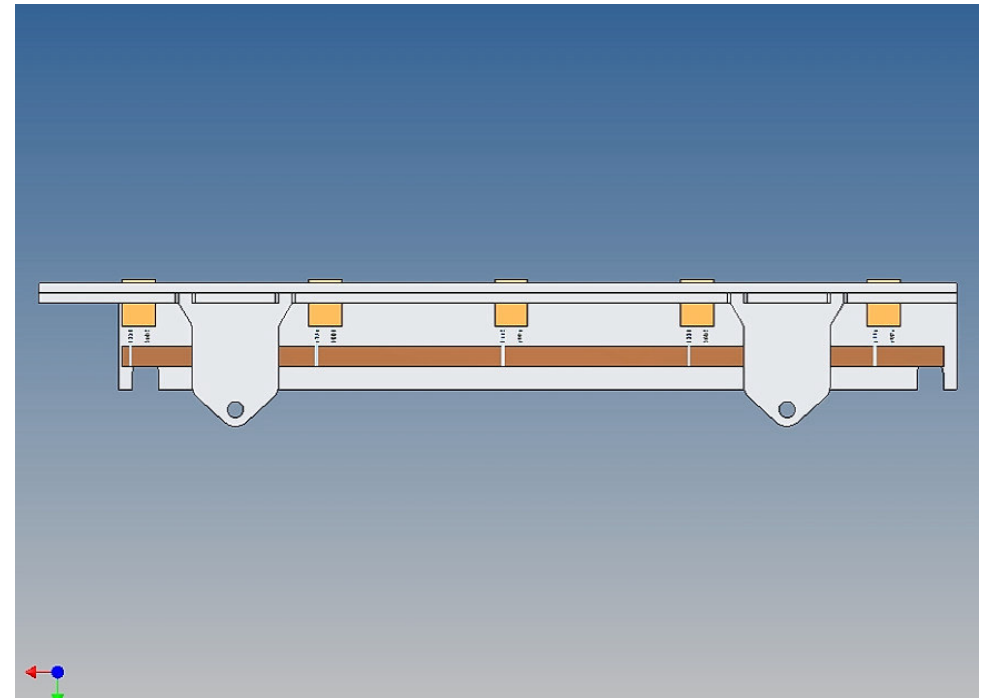
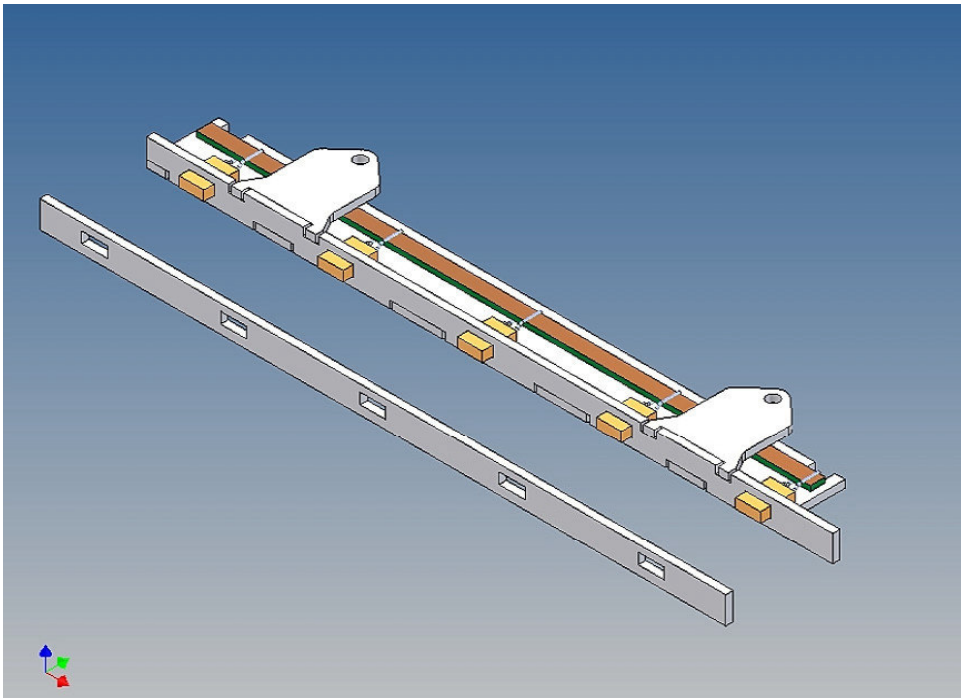
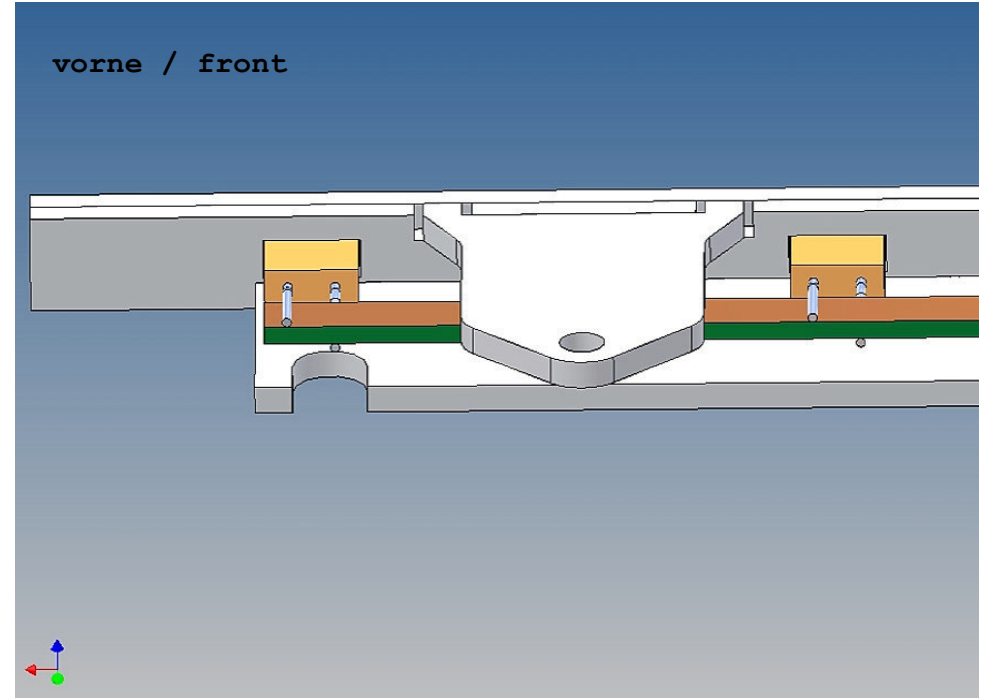
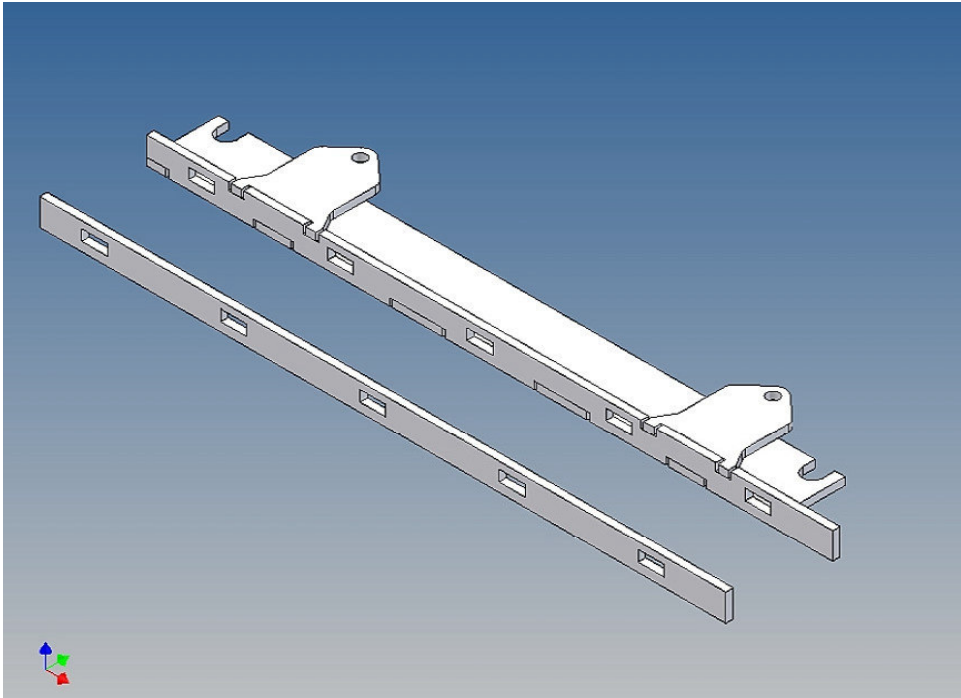
Assembly Procedure

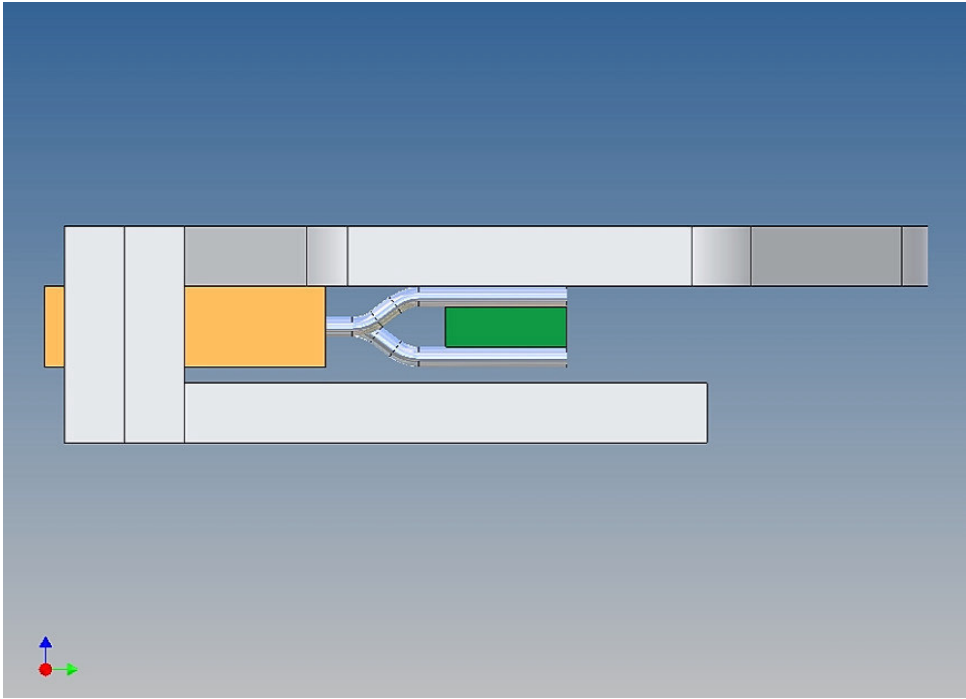
Before you put the parts together please read the assembly instructions carefully and pay attention to the assembly sequence and test the fitting accuracy of the parts before gluing them together.

It is helpful to fix the parts at first only on a few points with super-glue and after a check along the edges fully with super-glue or a polystyrene-glue.

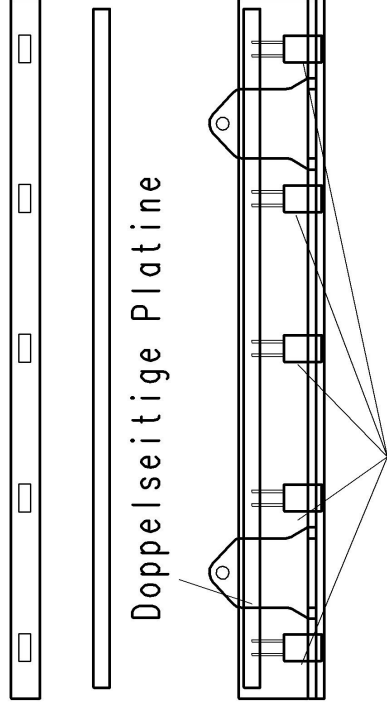
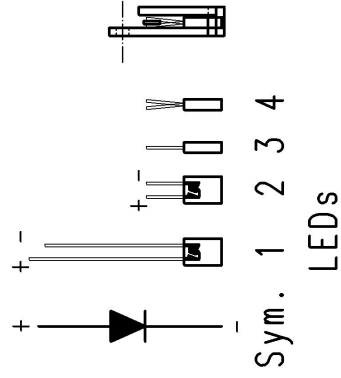
The parts are made of polystyrene, if you use super-glue in combination with activator spray, please be aware that the activator spray can destroy polystyrene – because of that you should use it very carefully or use only polystyrene-glue.



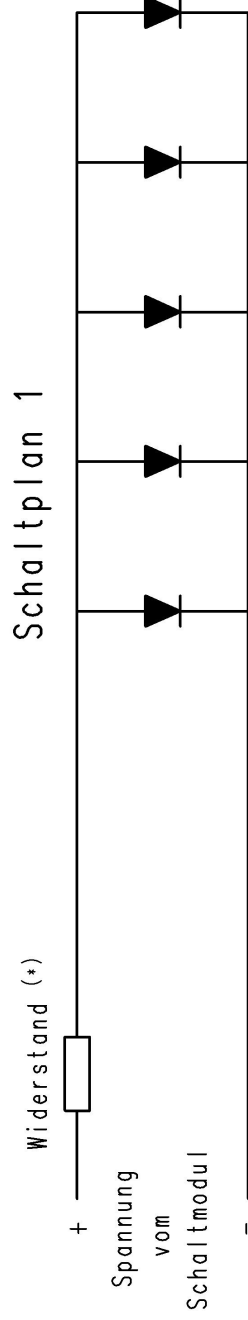




Aufbau der LED-Leiste MAN / Actros 3-Achser



5x LED nach Bild 4 vorbereitet



Widerstandswerte je nach Versorgungsspannung und Anzahl der parallel geschalteten LEDs aus beiliegender Tabelle entnehmen
(*) für 5 LEDs

© Gerhard Döbele – www.MDTechShop.de – Stuttgart

Annotation:

Please pay attention to the technical data of the appended LEDs.

Good luck and have fun - your MDTechShop team

www.MDTechShop.de

For questions or replacement part requests please send a short e-mail.

Warning:
This is not a toy! It contains small parts! Keep it away from young children!