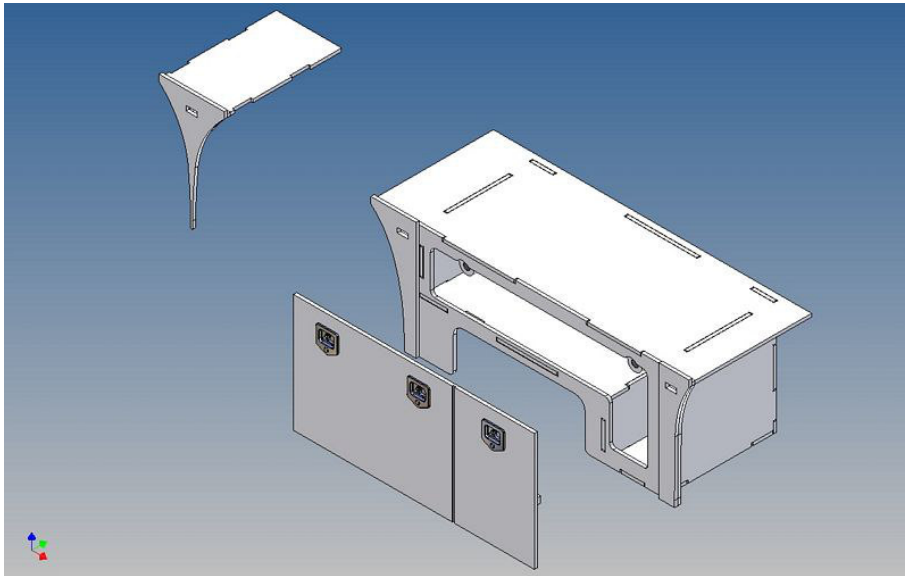


Assembly Instruction

**Full profile box kit right for
TAMIYA Scania R 3-axle (M1:14)
for original Tamiya battery holder**

Best.-Nr.: 2016-9131-3A(RA)



Version 1.0 – 20.06.2016

General Description

This polystyrene-milled parts set for a storage box as an accessory to the TAMIYA trucks (1: 14) designed.

The storage box can be mounted on the vehicle frame and has on the outside of a removable cover, which is held with hooks and magnets (magnets are in a separate bag).

Inside the box technique can be accommodated. .

For mounting on the vehicle frame are at distance spacers, these create a gap to accommodate any existing screw heads on the frame to produce.

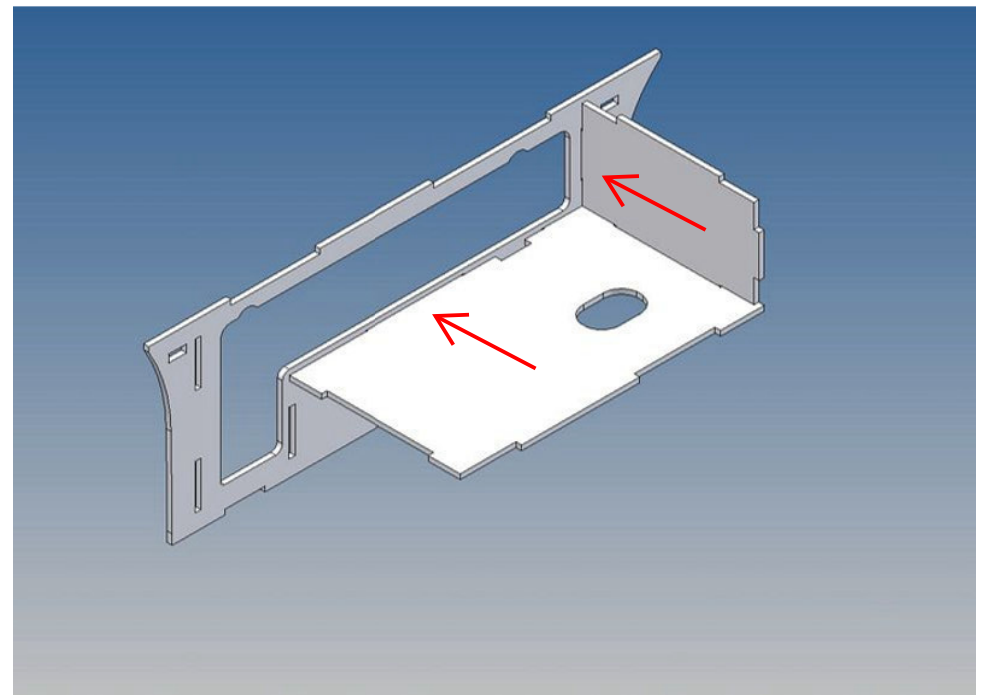
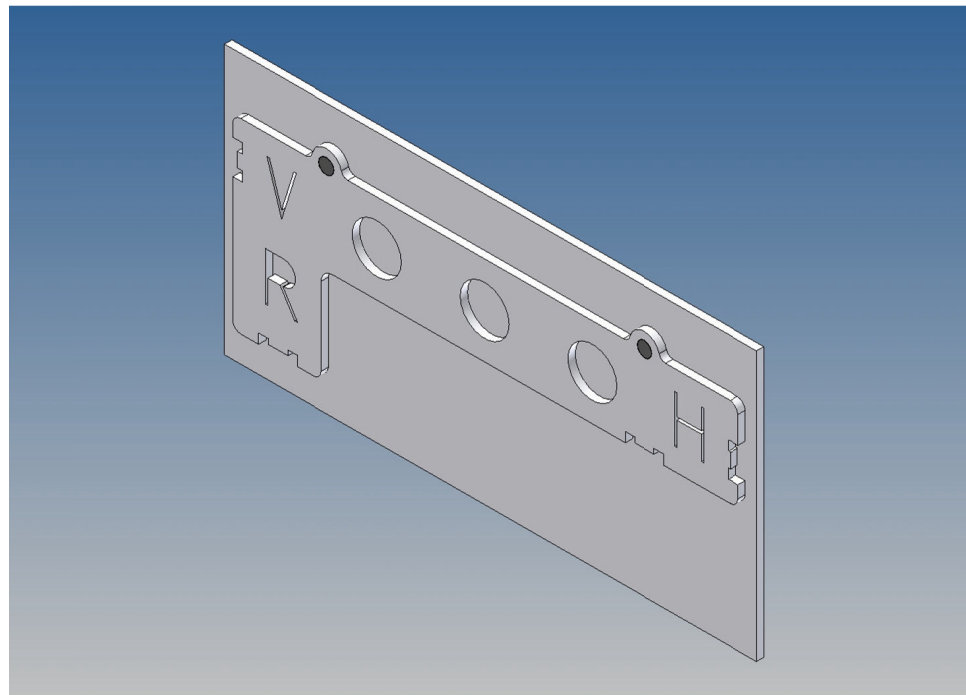
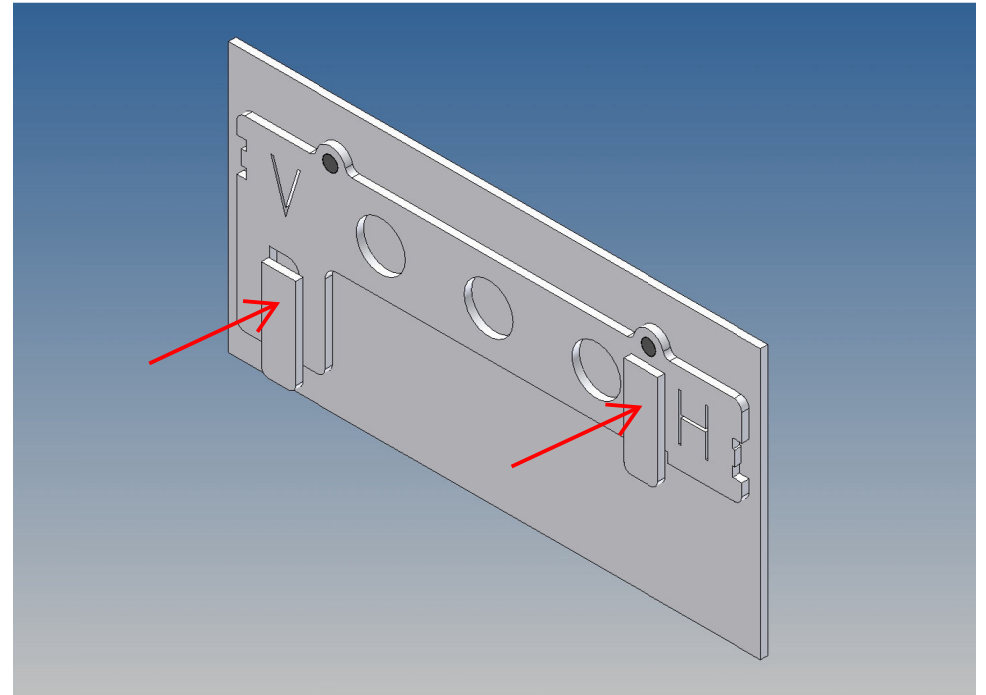
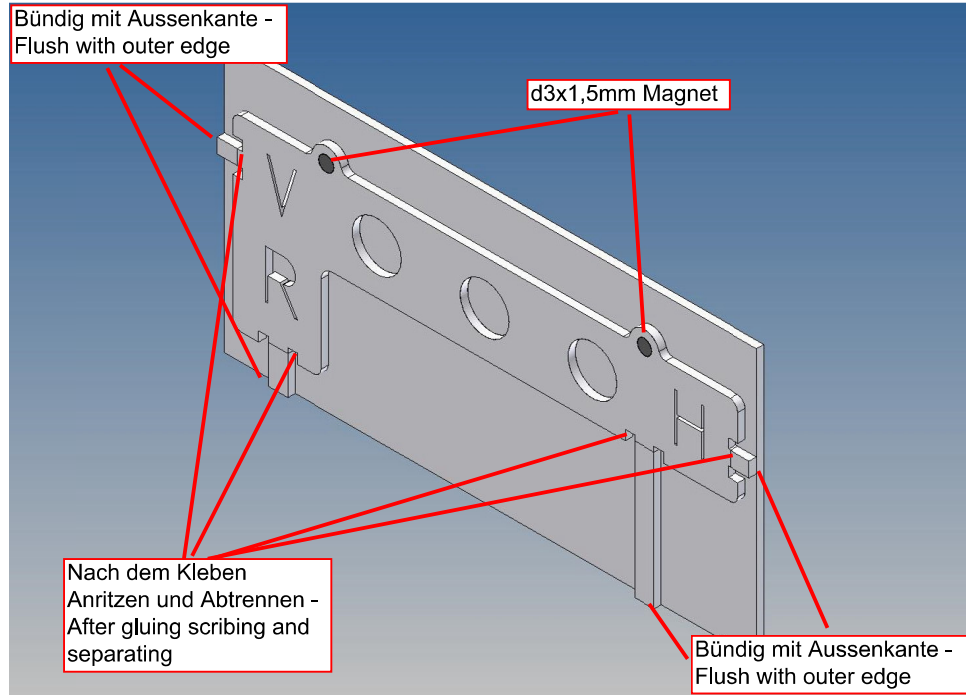
Assembly Procedure

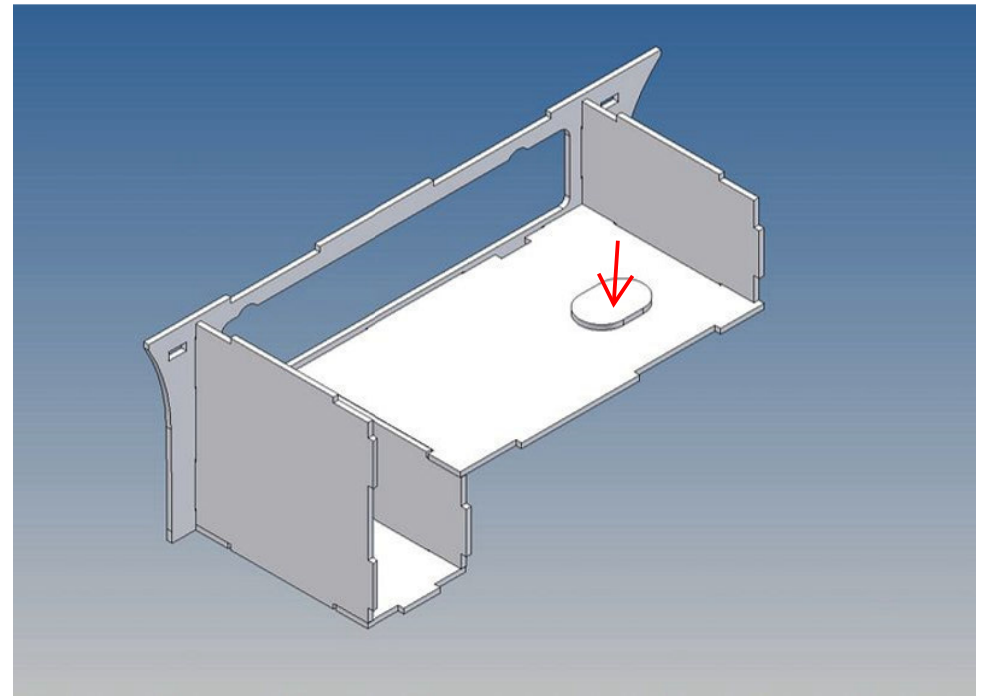
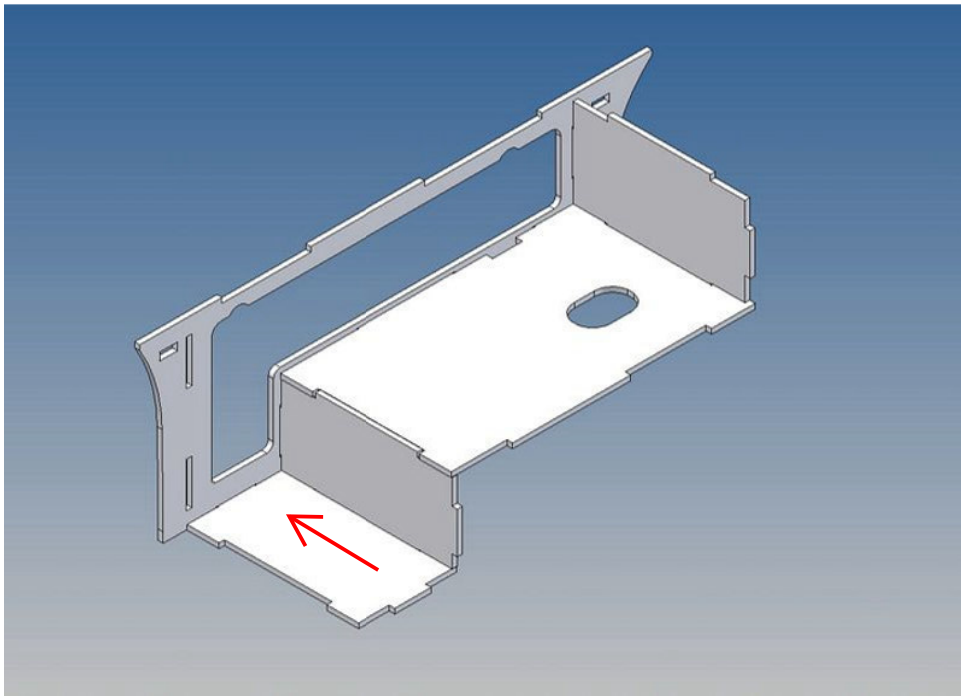
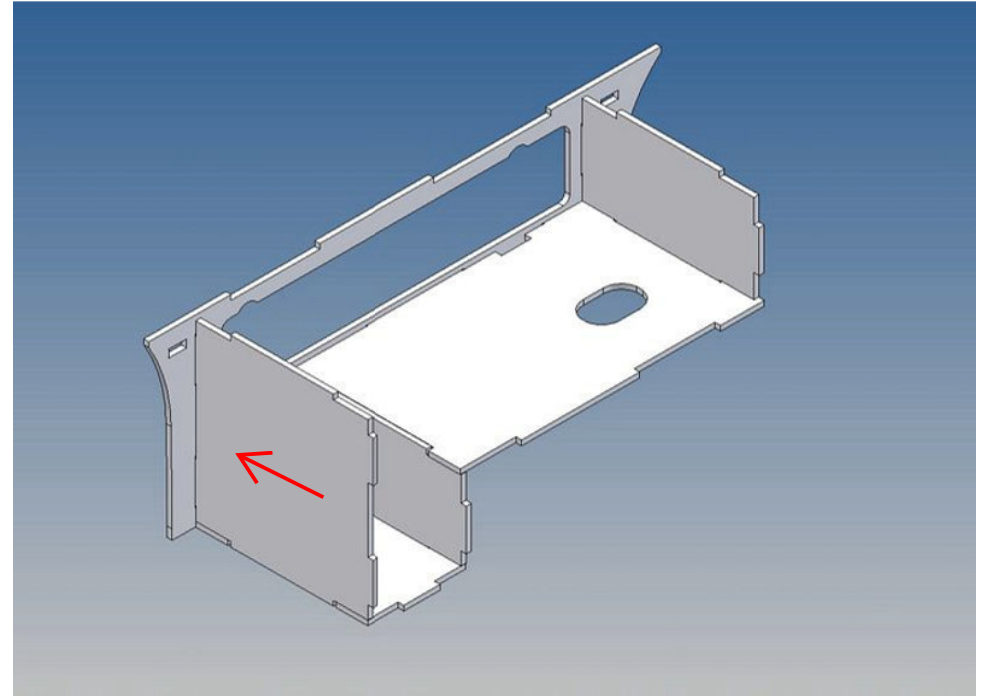
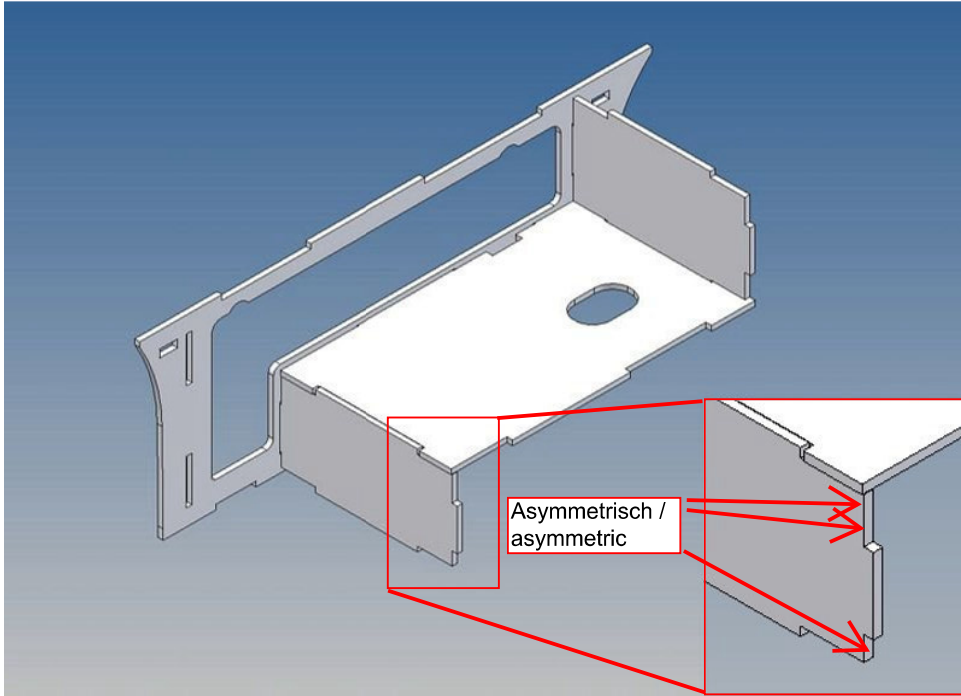
Before you put the parts together please read the assembly instructions carefully and pay attention to the assembly sequence and test the fitting accuracy of the parts before gluing them together.

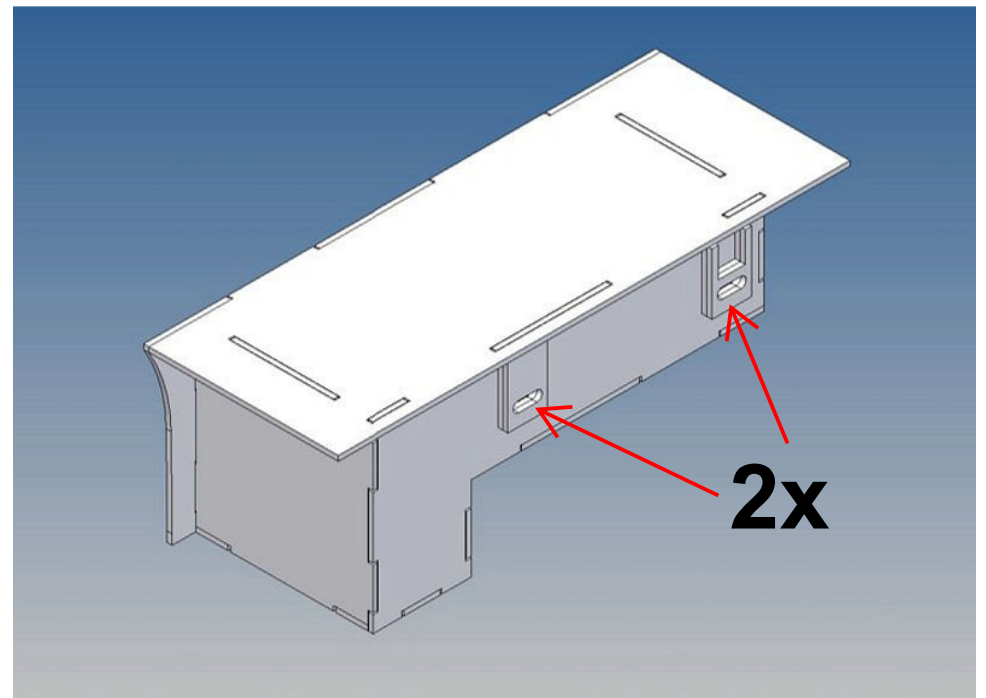
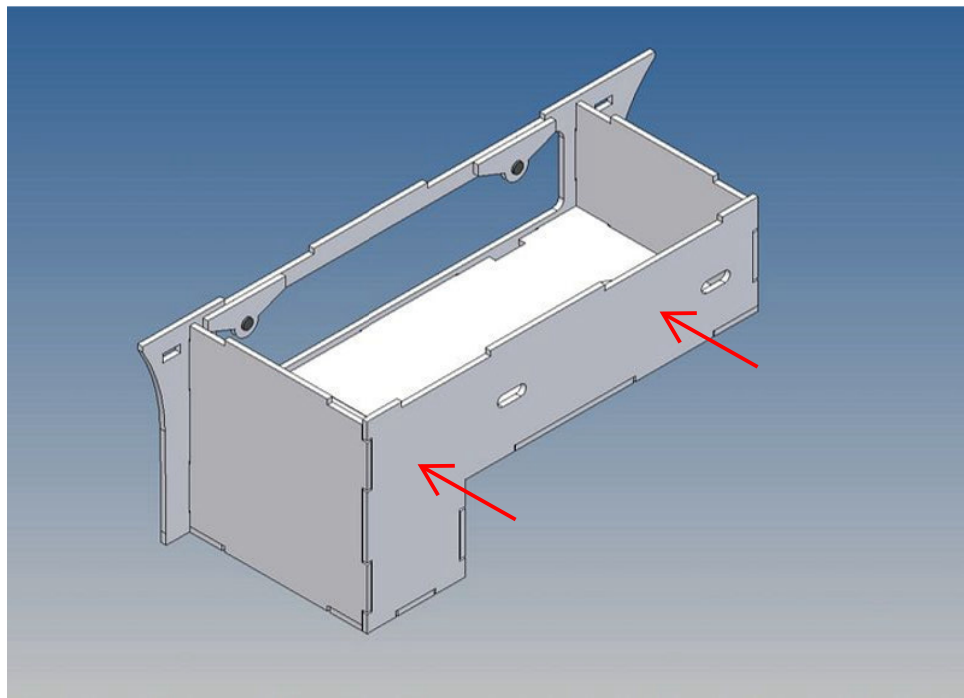
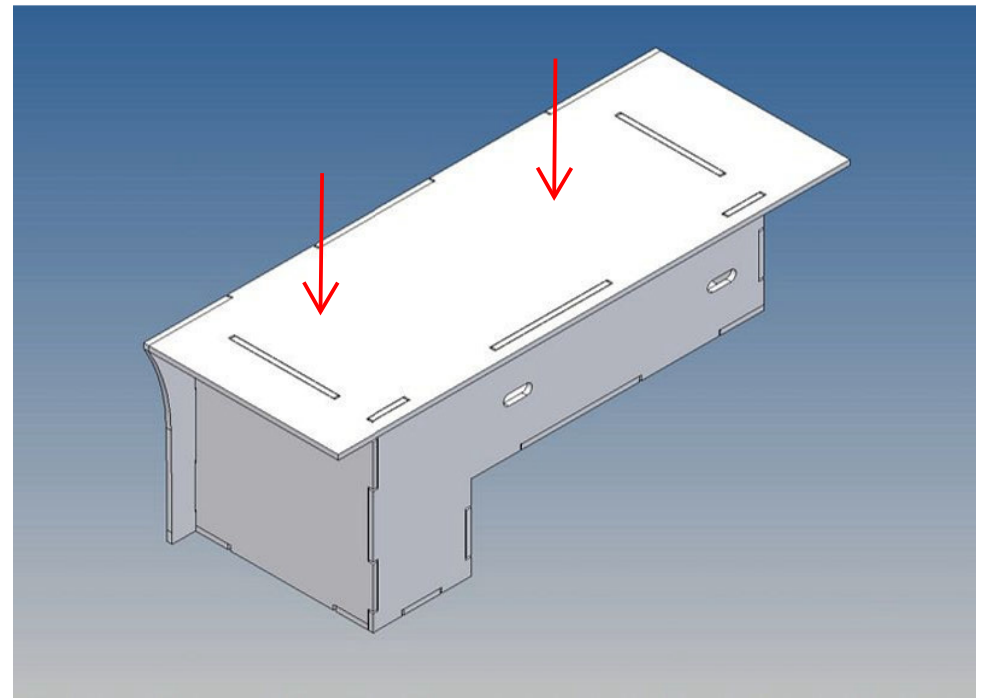
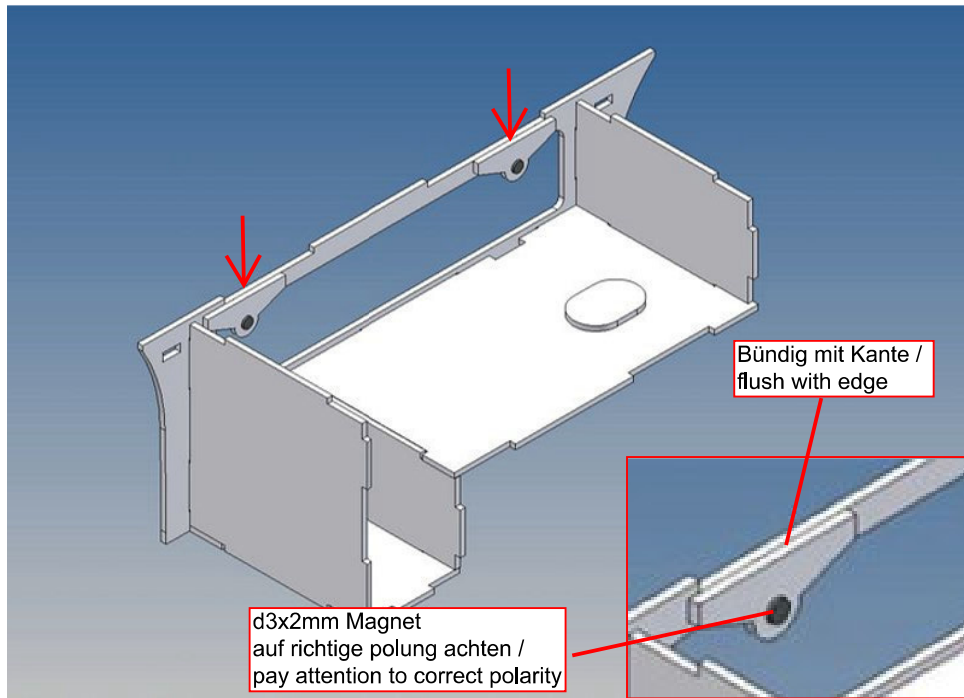
It is very important that at the first construction step paying attention to the correct side to put the box together, so that really produces a left or right box.

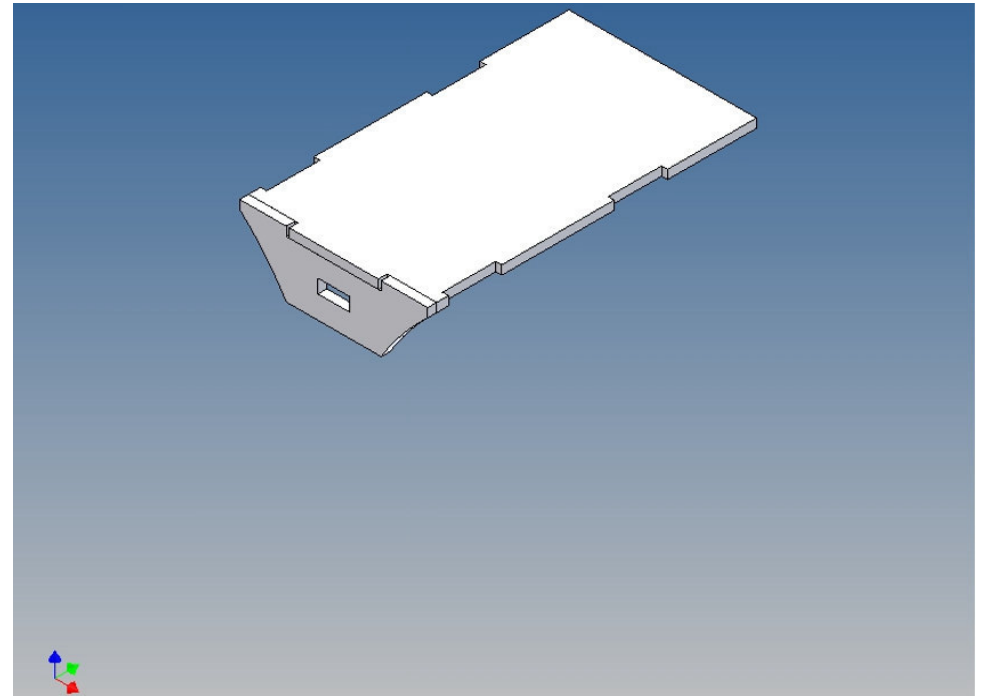
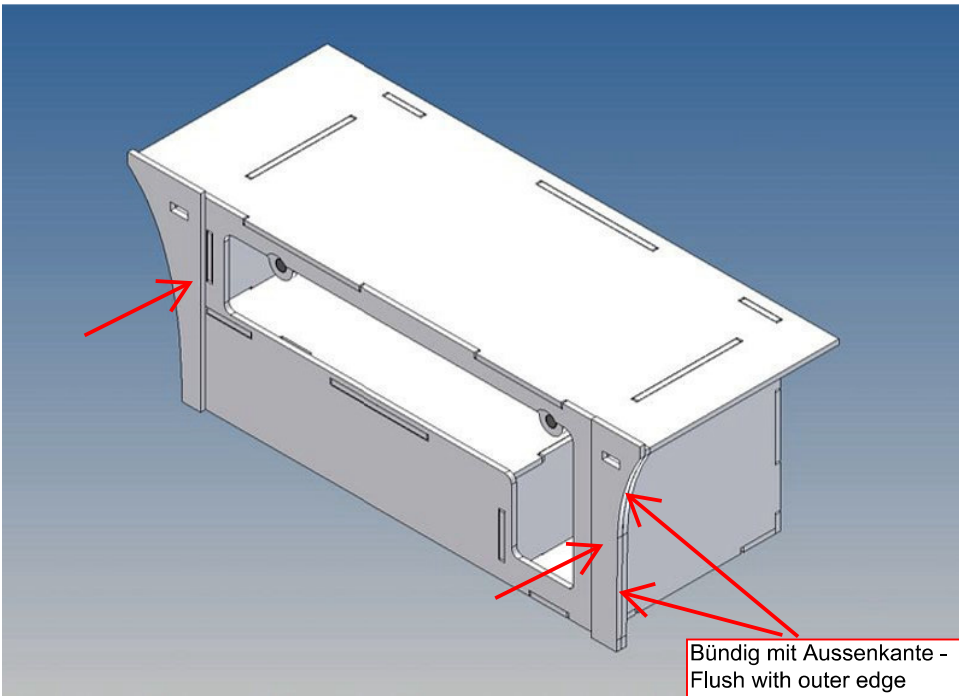
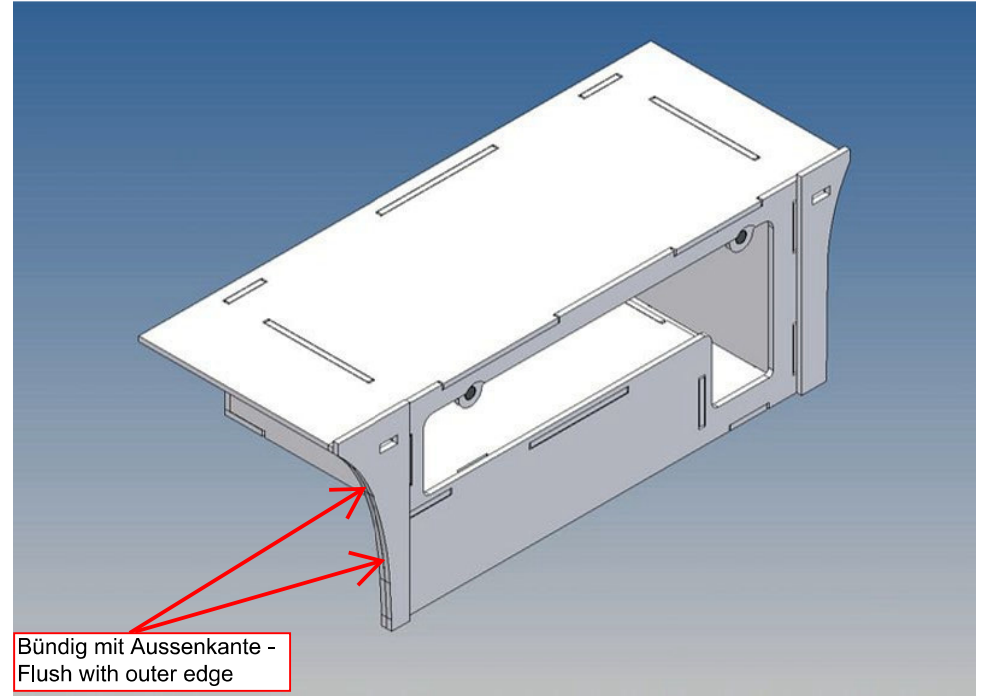
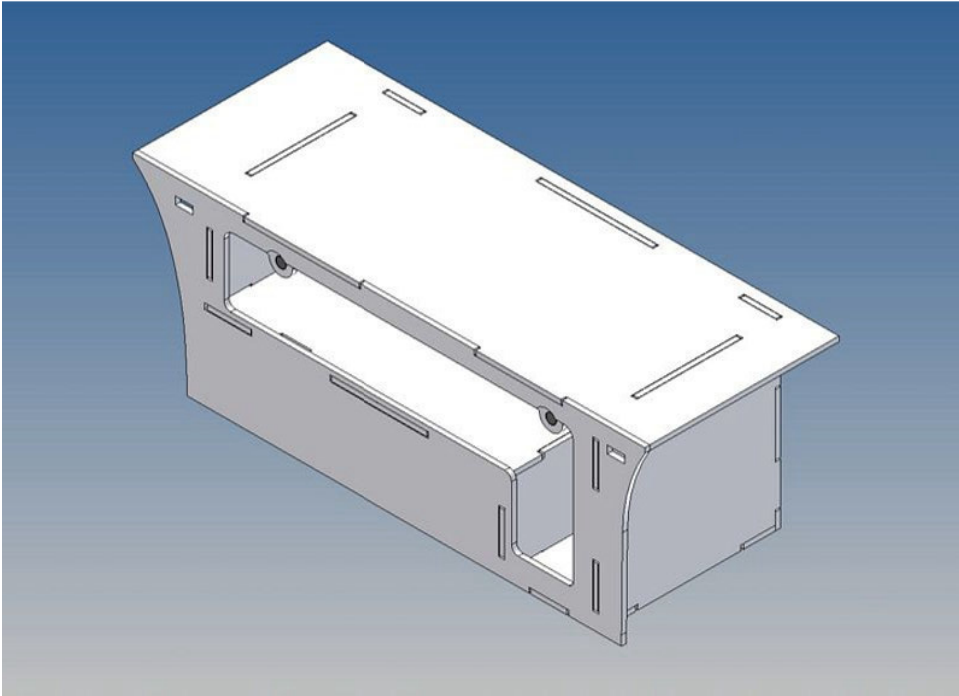
It is helpful to fix the parts at first only on a few points with super-glue and after a check along the edges fully with super-glue or a polystyrene-glye.

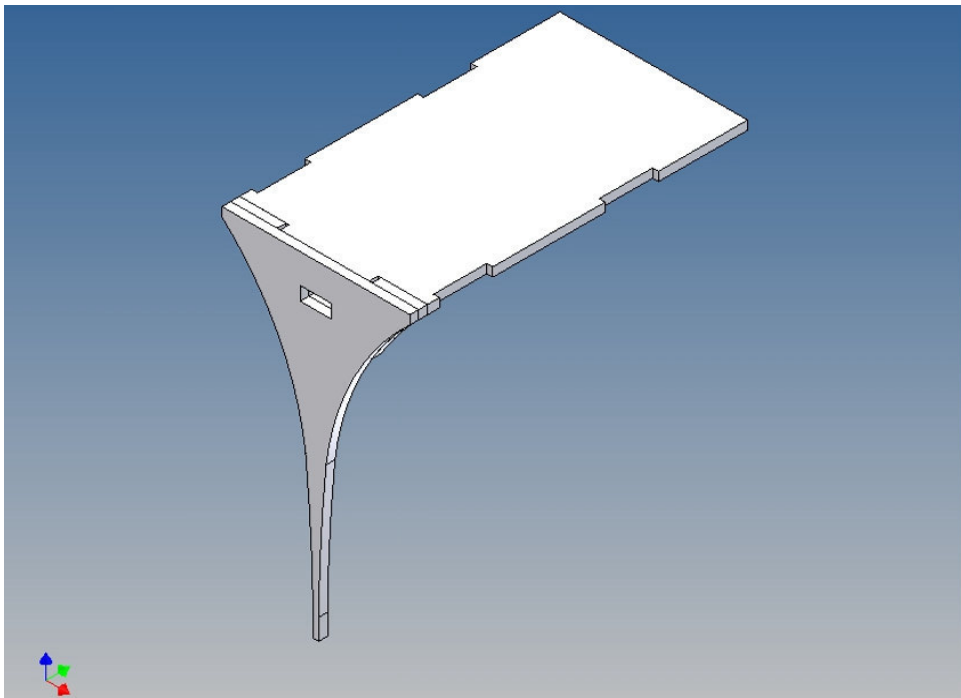
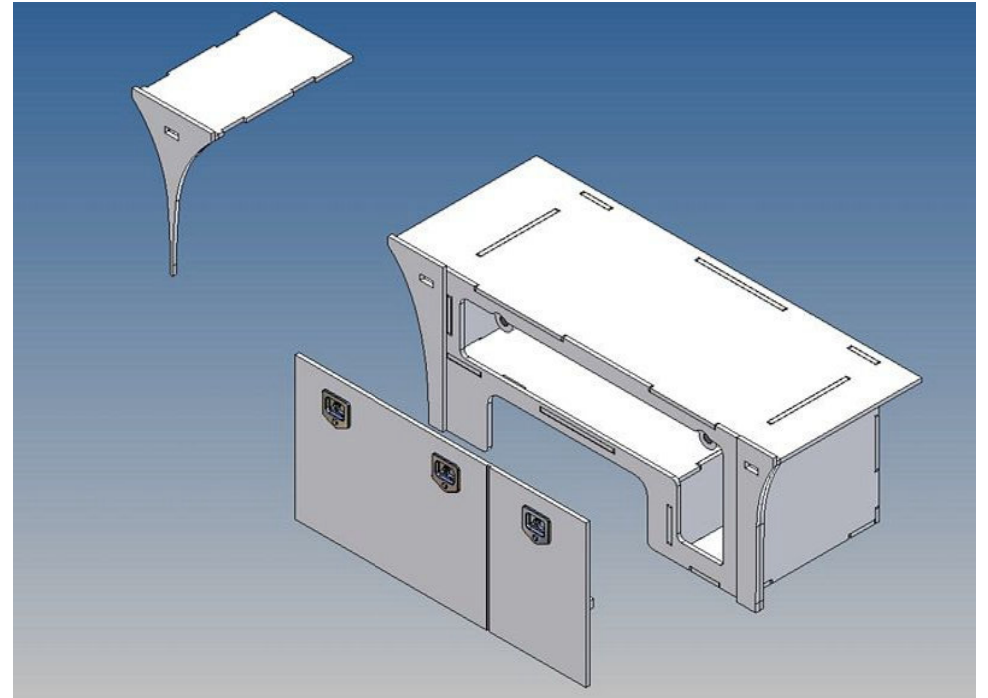
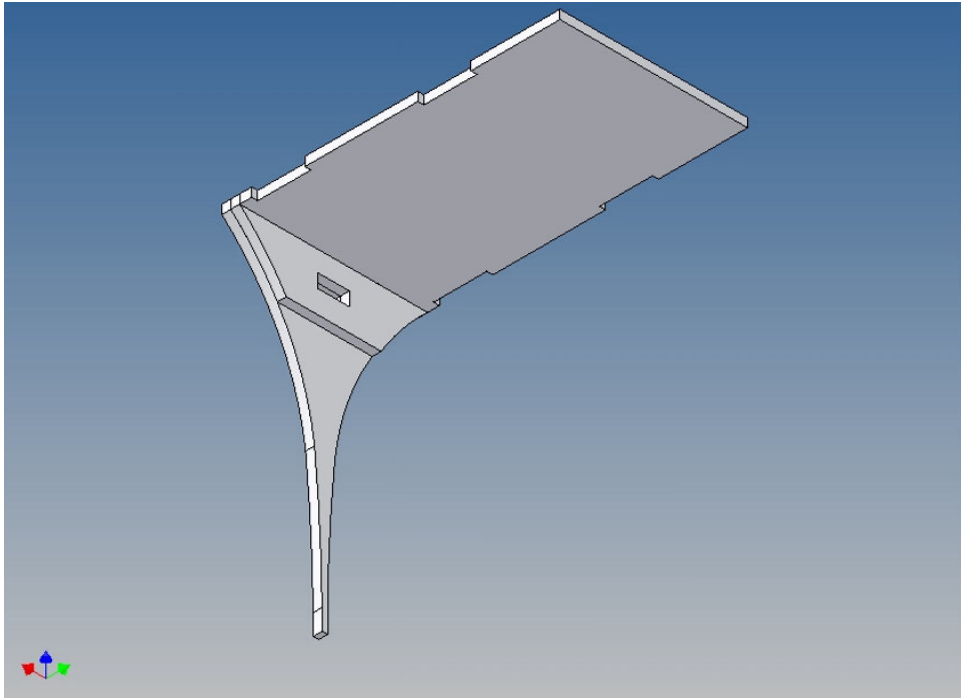
The parts are made of polystyrene, if you use super-glue in combination with activator spray, please be aware that the activator spray can destroy polystyrene – because of that you should use it very carefully or use only polystyrene-glye.











Annotation:

For technical reasons delivery also magnets with different dimensions may be enclosed.

Good luck and have fun - your MDTechShop team

www.MDTechShop.de

For questions or replacement part requests please send a short e-mail.

Warning:

This is not a toy! It contains small parts! Keep it away from young children!