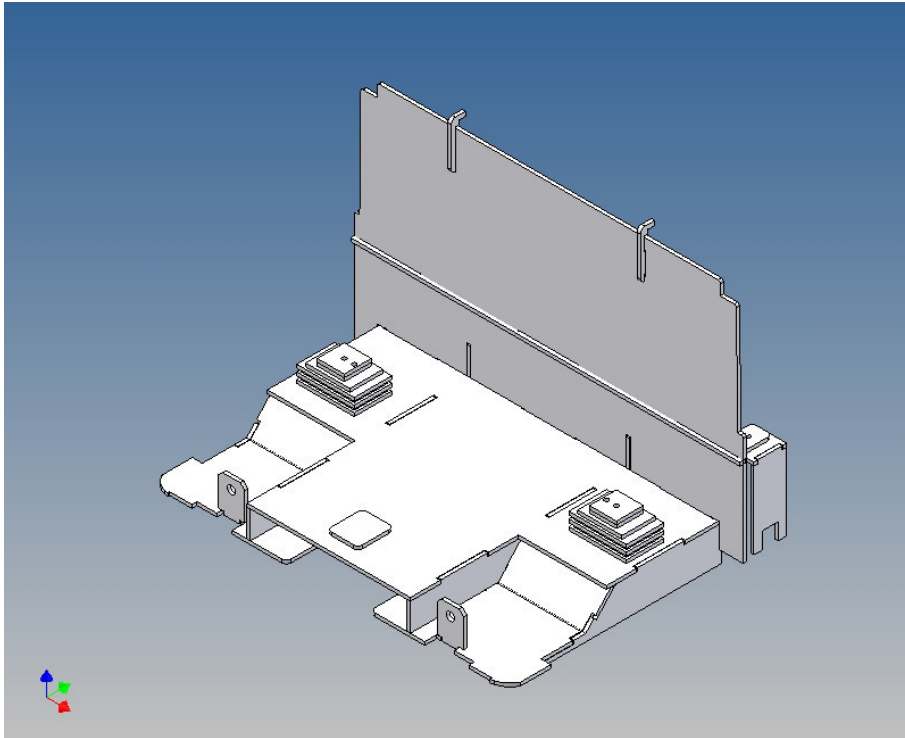


Assembly Instruction

**Driving cap floor assembly kit for
TAMIYA Scania R470/R620 (1:14,5)
In connection with a Hauber conversion kit
- Dividing wall + Expansion Kit -**

Best.-Nr.: 2017-9001-H07



Version 1.0 – 23.12.2017

General Description

This kit includes parts for a driving cab floor for the TAMIYA Scania R470 (4-wheeler) or the Scania R620 (6-wheeler).

The cab floor will be mounted under the original driver seat holder to hide the view onto the RC equipment through the windshield.

When installing the floor, it is assumed that the simple stair step of the Hauber conversion kit is attached directly to the driver's cab.

The floor of the driver's cab is firstly inserted into the free-standing dashboard screws, and secondly screwed to the dividing wall unit using two self-tapping screws. The dividing wall in turn is attached via 2 hooks to the driver's cab roof.

When using the original Tamiya gearbox, an opening can be opened in the front part of the bottom for the top screw dome of the gearbox unit. Otherwise the kit has a cover plate for this opening.

The seats have their own consoles for direct bolting to the floor.

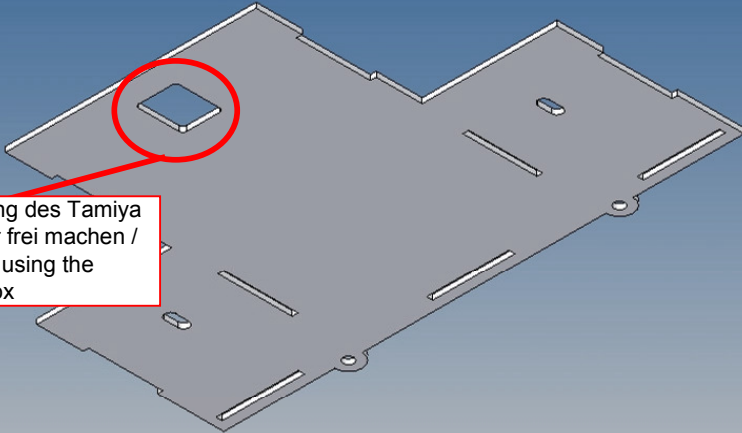
Assembly Procedure

Before you put the parts together please read the assembly instructions carefully and pay attention to the assembly sequence and test the fitting accuracy of the parts before gluing them together.

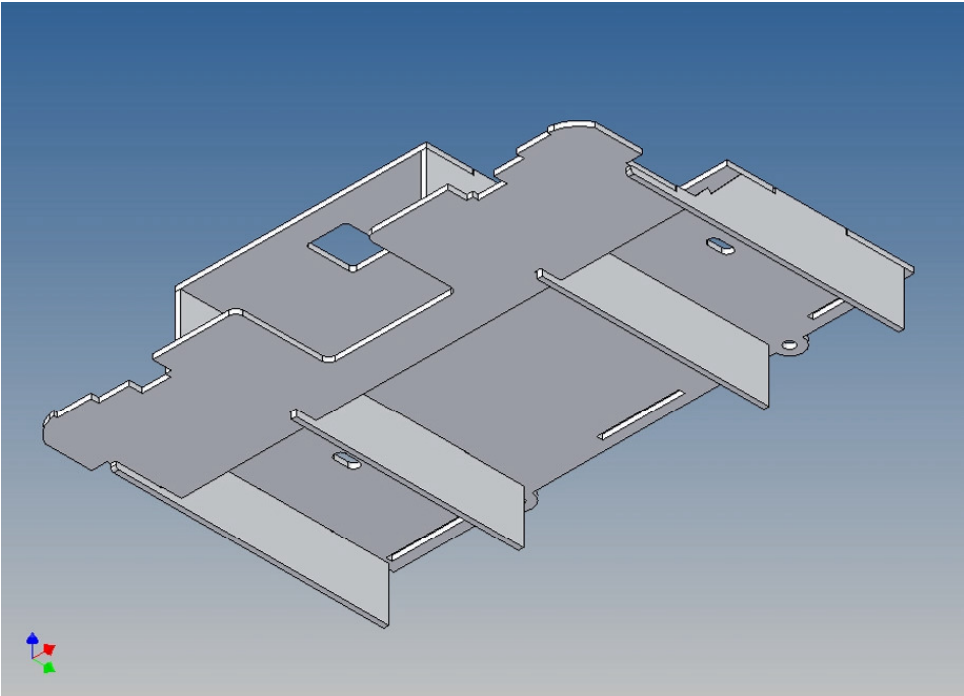
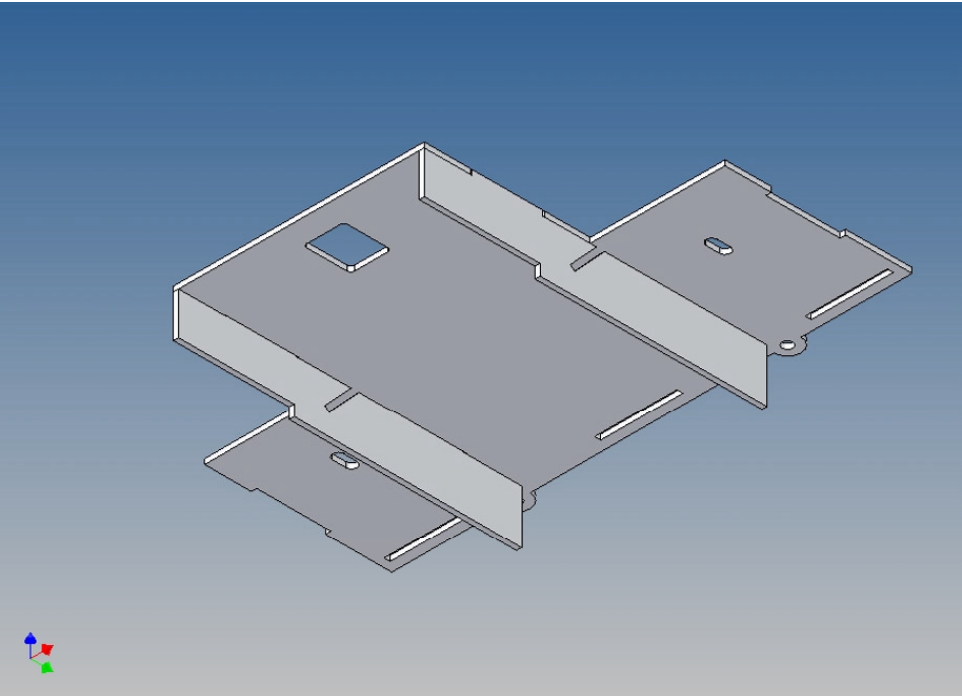
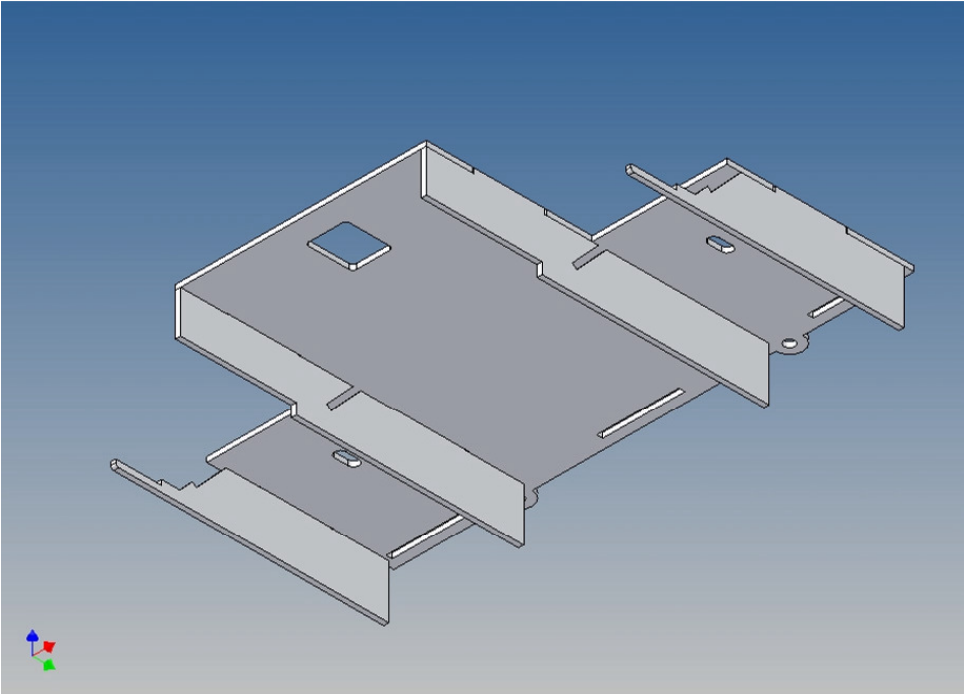
The parts are made of polystyrene, if you use super-glue in combination with activator spray, please be aware that the activator spray can destroy polystyrene – because of that you should use it very carefully or use only polystyrene-glue.

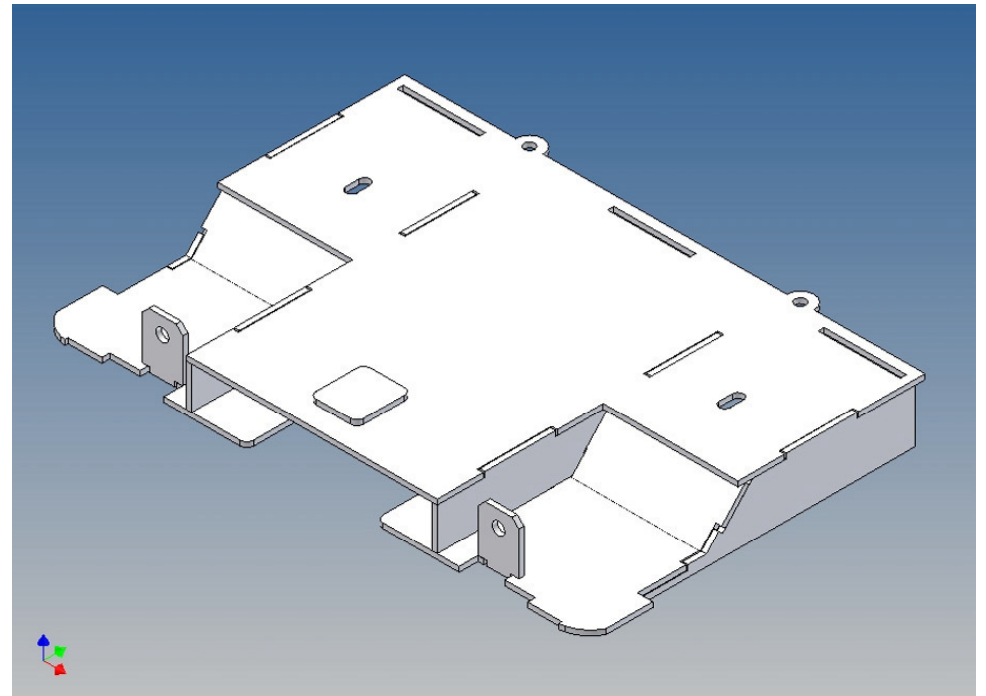
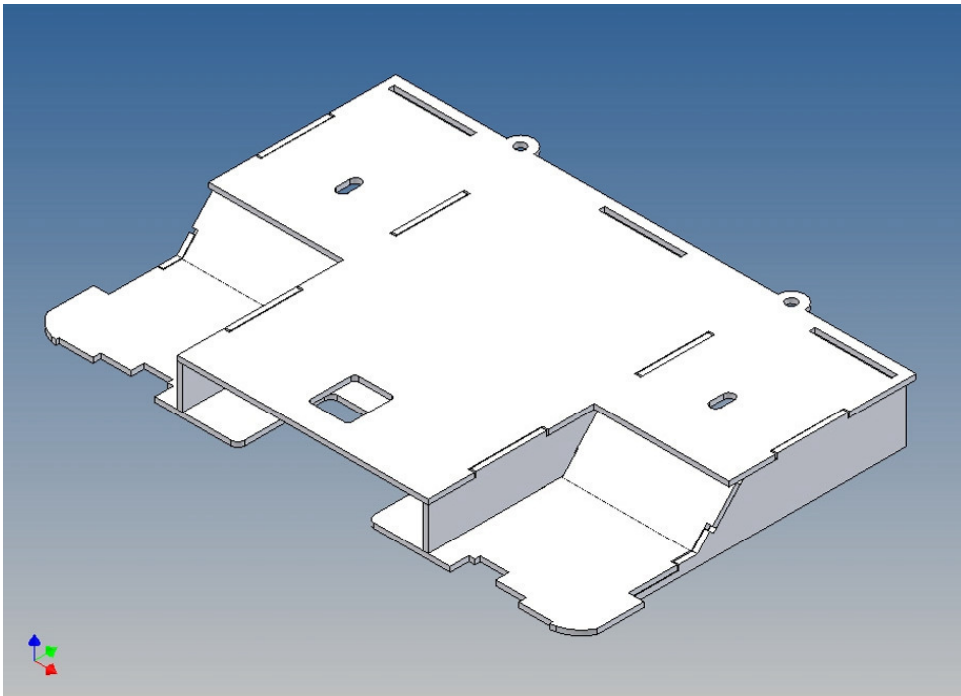
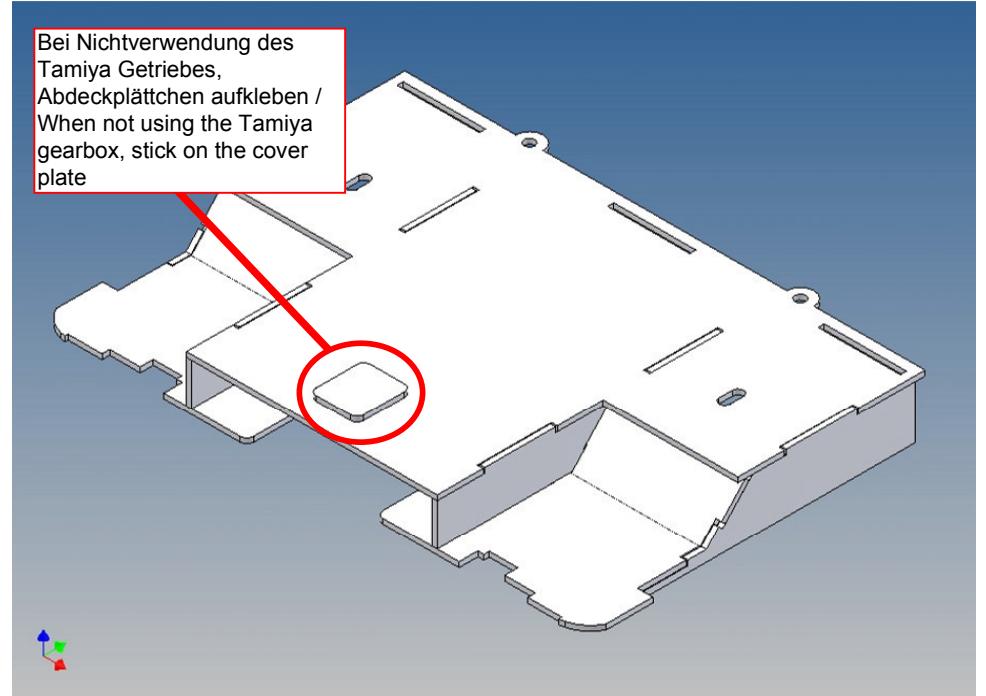
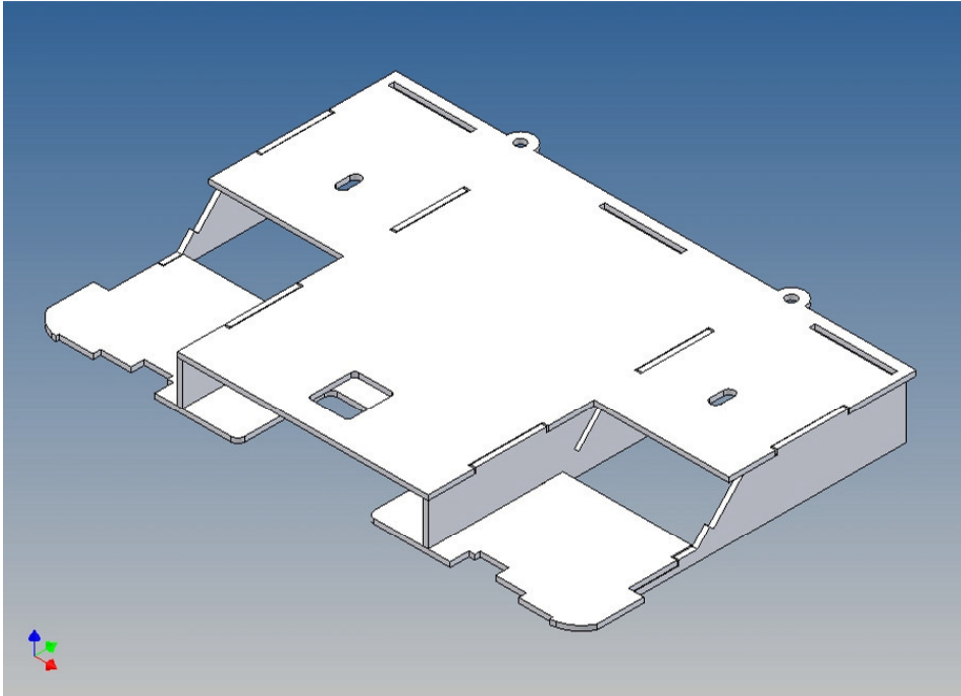
It is helpful to fix the parts at first only on a few points with super-glue and after a check along the edges fully with super-glue or a polystyrene-glue.

Bodeneinheit / Floor unit

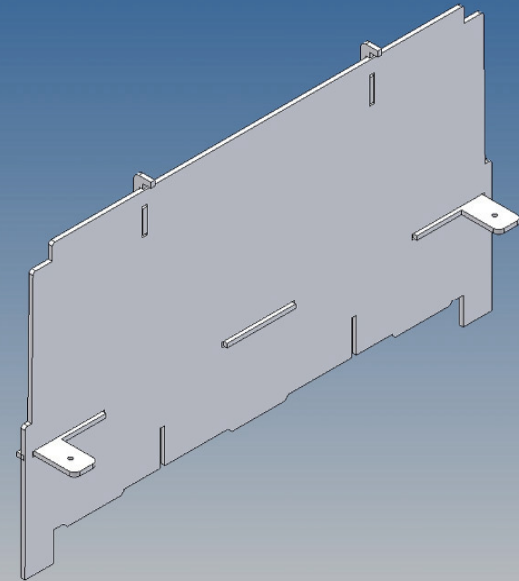
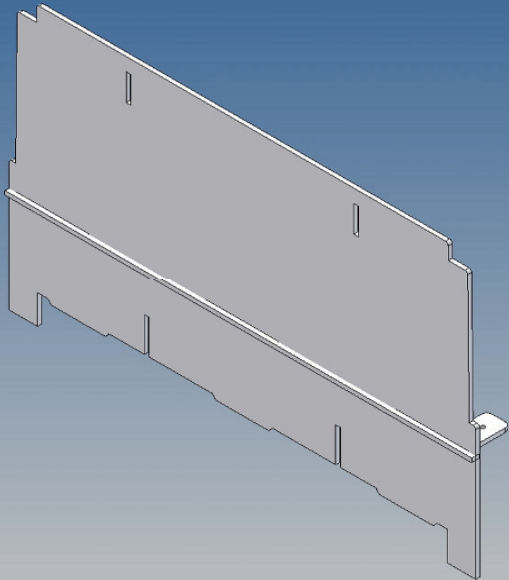
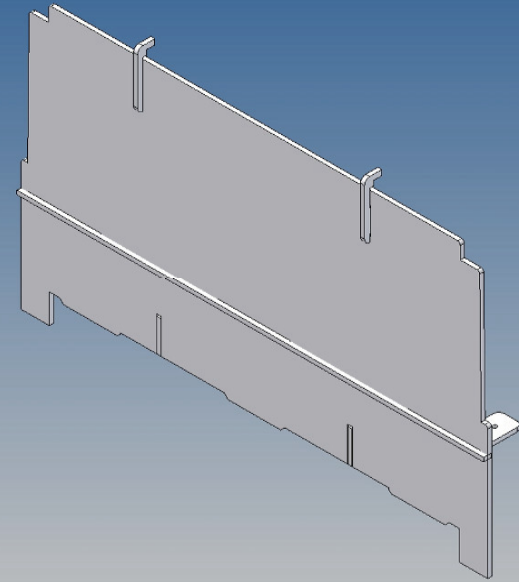
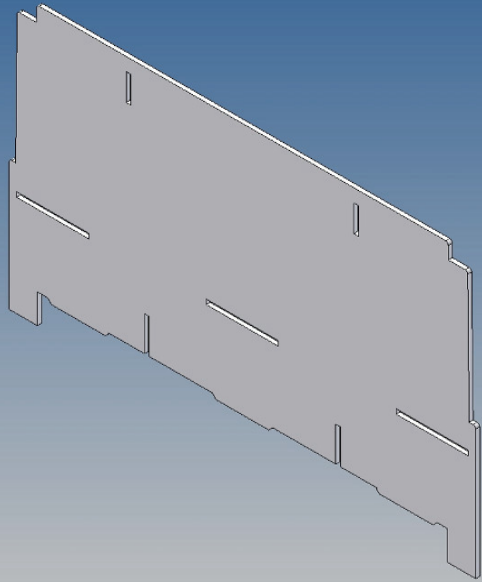


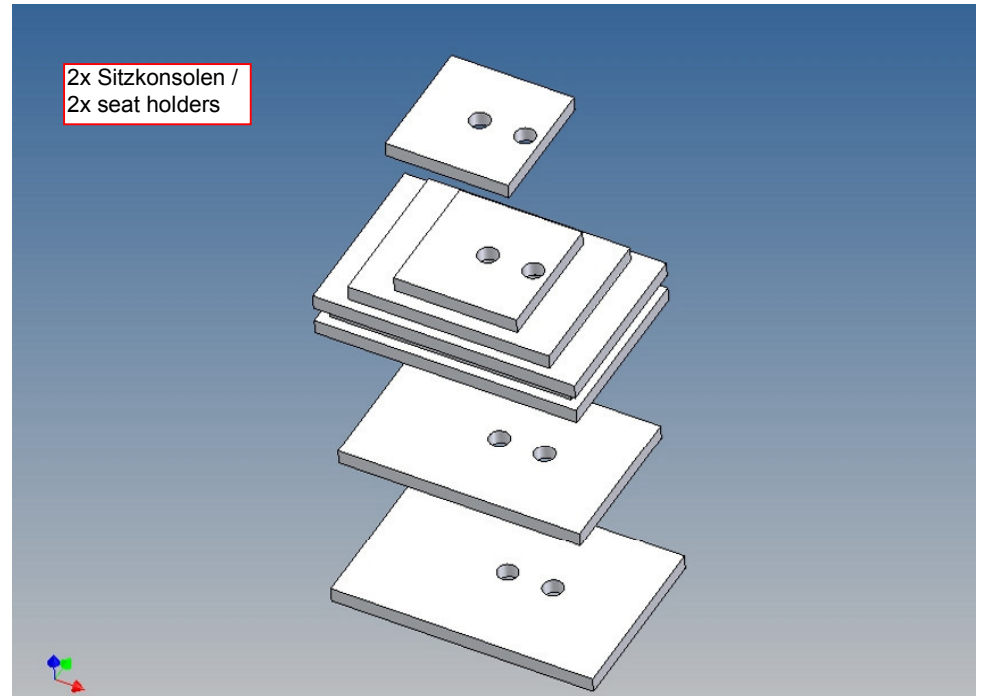
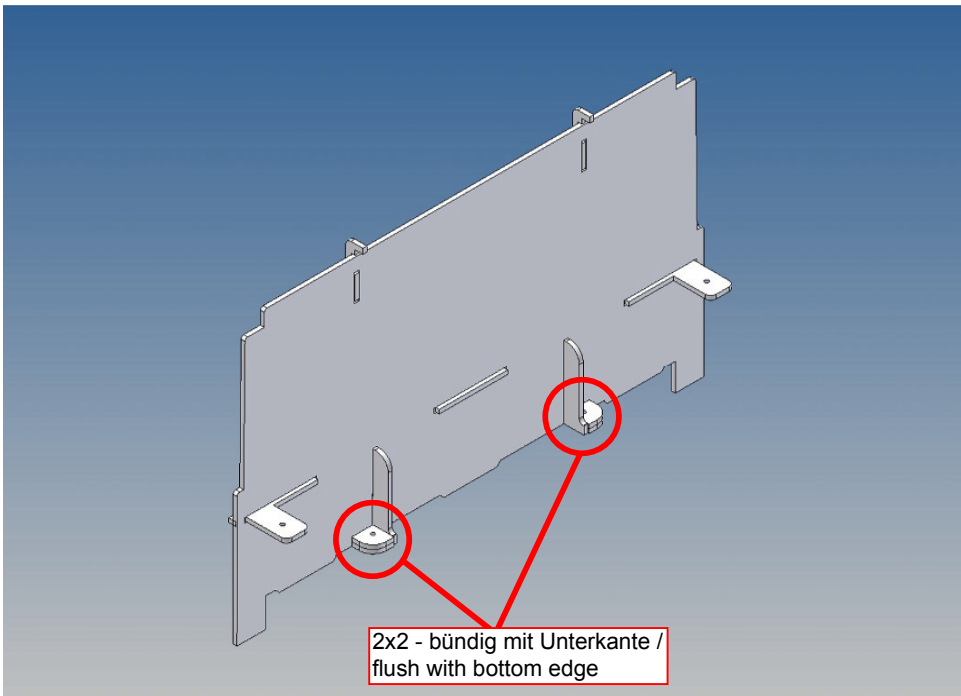
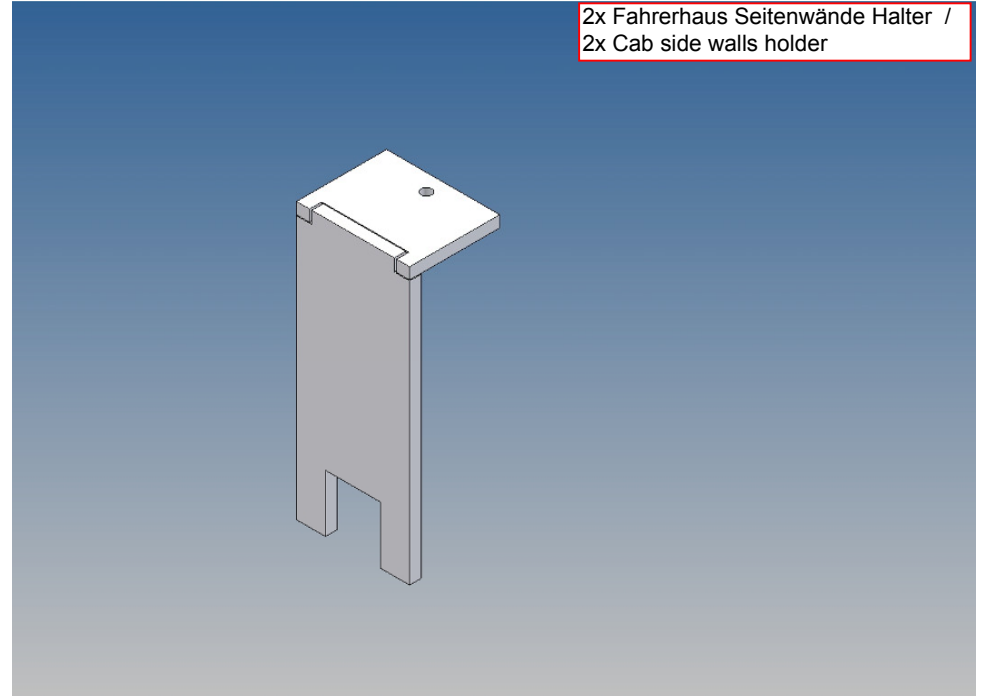
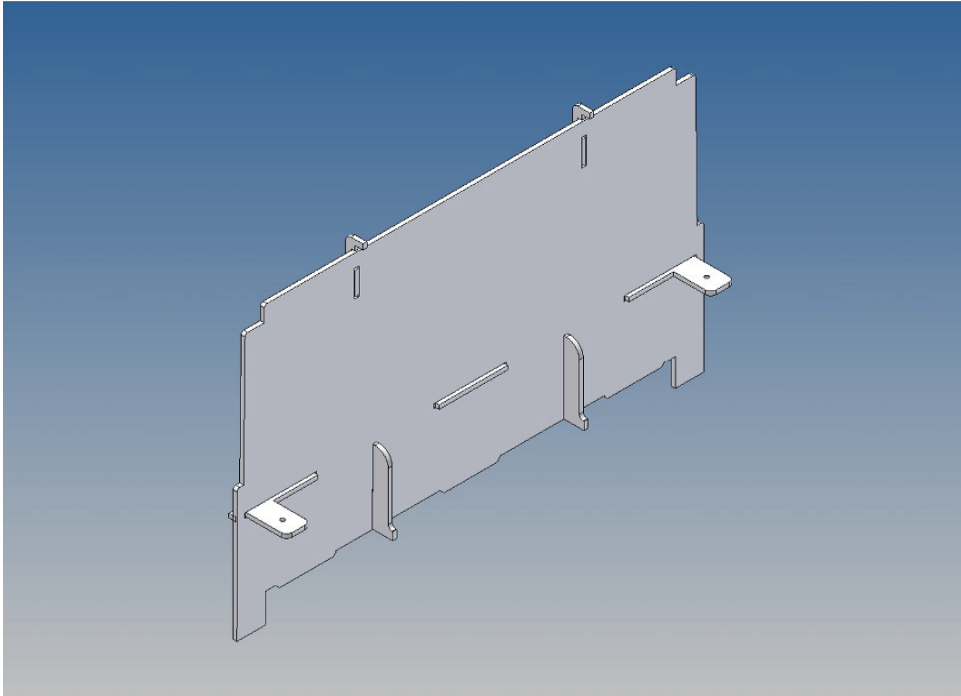
Bei Verwendung des Tamiya
Getriebes, hier frei machen /
Release when using the
Tamiya gearbox

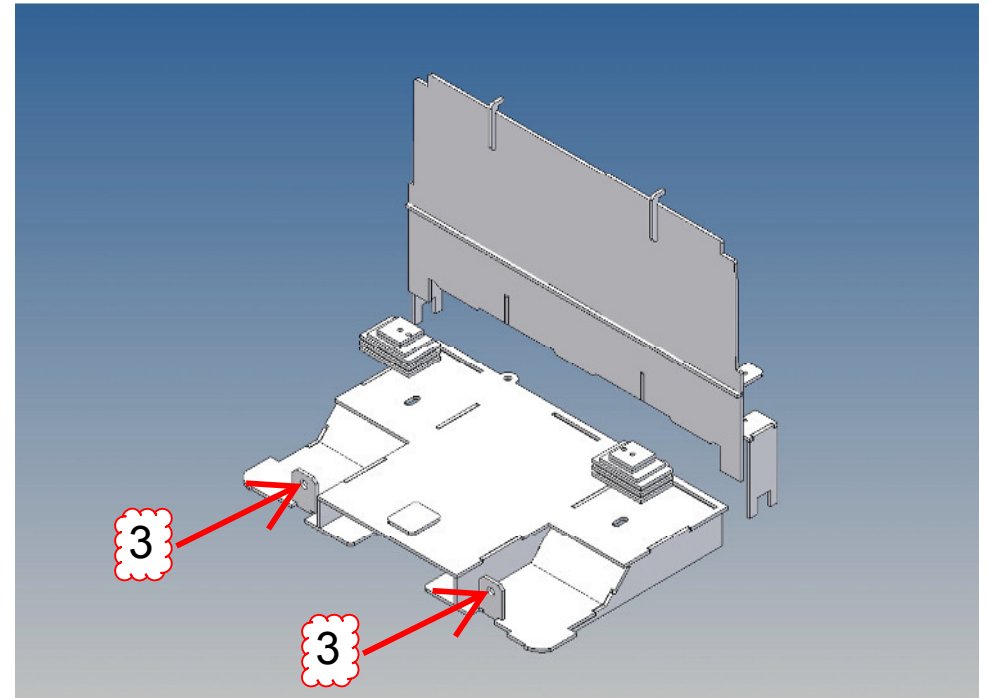
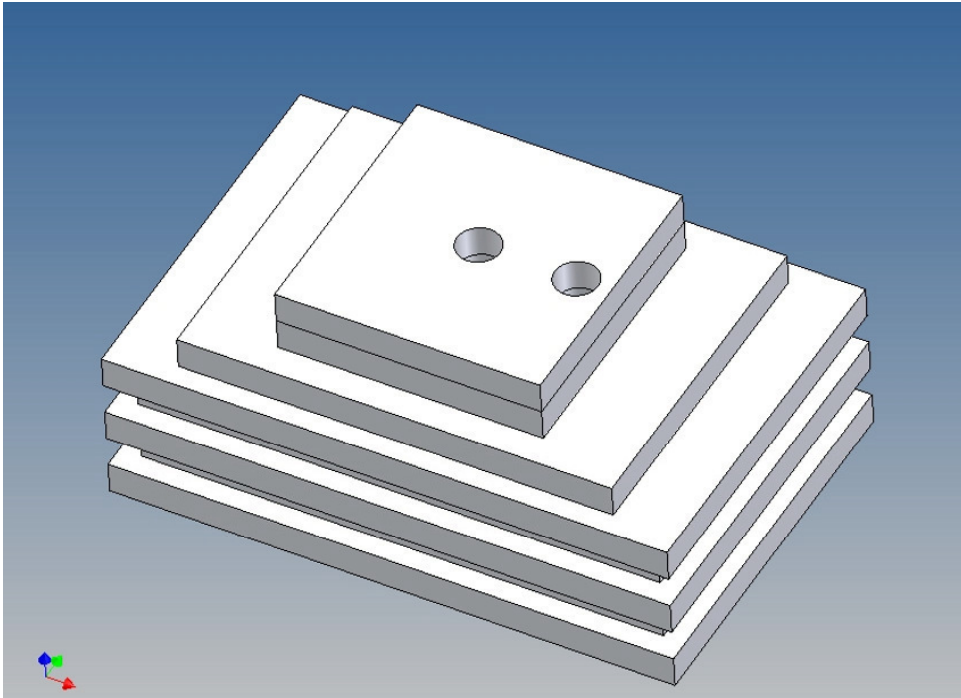




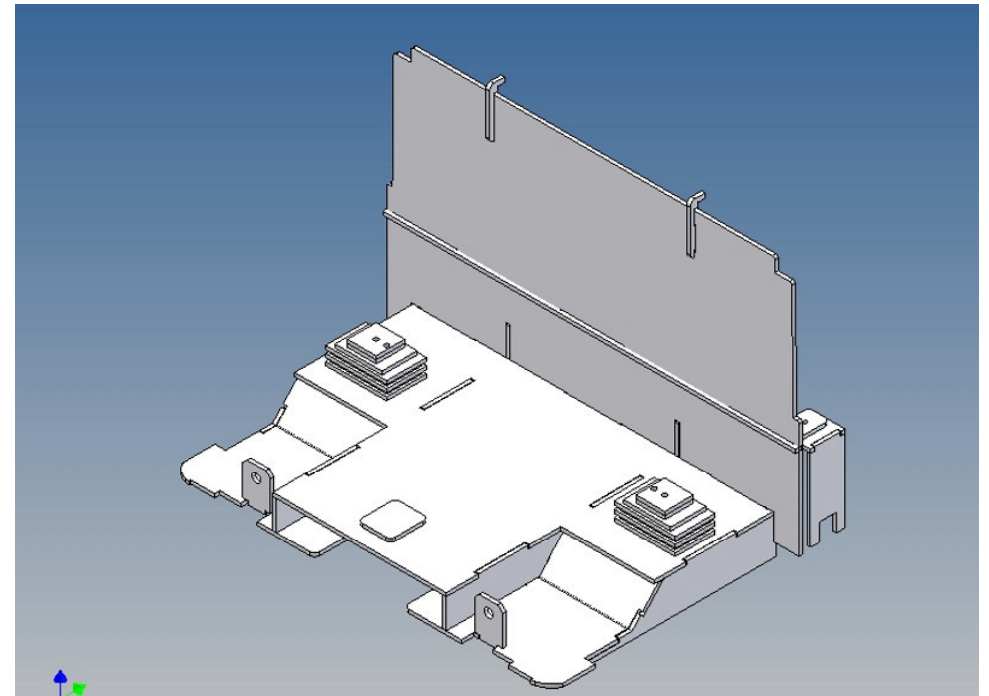
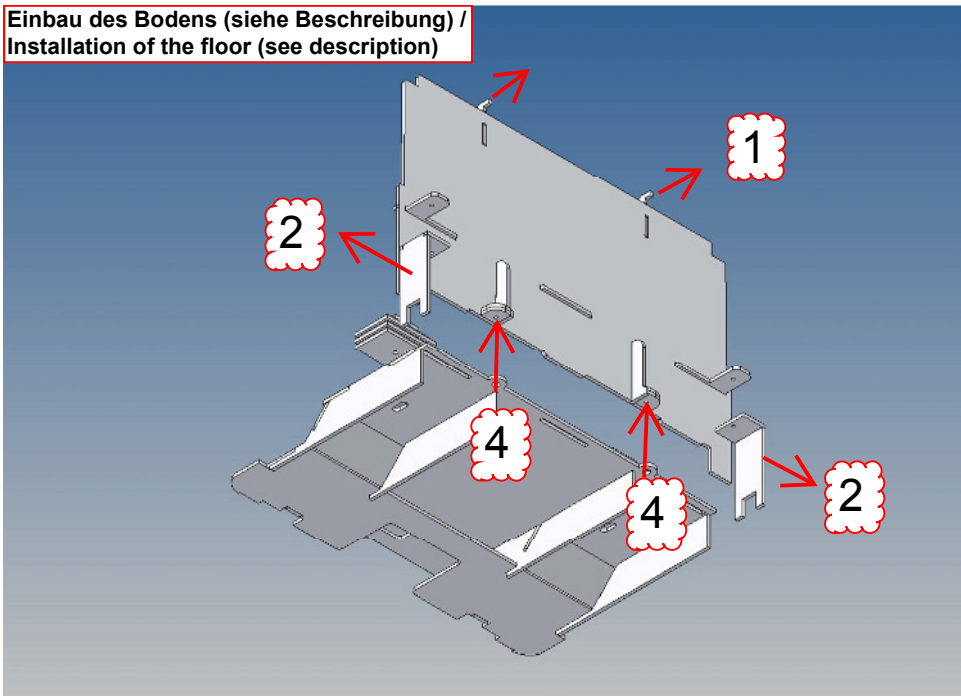
Trennwandeinheit / dividing wall unit







Einbau des Bodens (siehe Beschreibung) /
Installation of the floor (see description)



Installation steps:

1. Hook the dividing wall unit into the intermediate roof of the driver's cab.
2. For better stability, the left and right side wall brackets are now attached to the cab with double-sided adhesive tape and then screwed to the dividing wall unit (2.2x4.5mm each).
3. The base unit is now attached to the dashboard screws with the aid of the front hole holders.
4. Now the floor unit and the dividing wall unit screwed together (2,2x6,5mm)

Annotation:

Good luck and have fun - your MDTechShop team

www.MDTechShop.de

For questions or replacement part requests please send a short e-mail.

Warning:

This is not a toy! It contains small parts! Keep it away from young children!