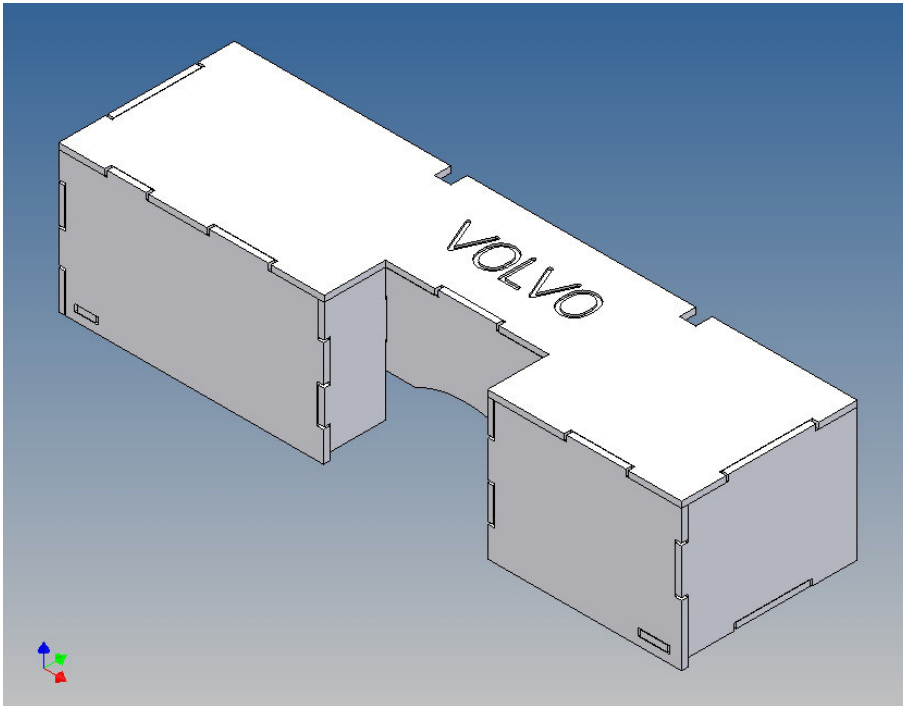


Assembly Instruction

**Electronics box assembly kit fitting
to our driving cab floor assembly kit for
TAMIYA Volvo FH12 (1:14)**

Best.-Nr.: 2016-9005-03



Version 1.0 – 27.07.2016

General Description

This kit includes parts for an electronics box fitting to our driving cab floor for the TAMIYA Volvo FH12.

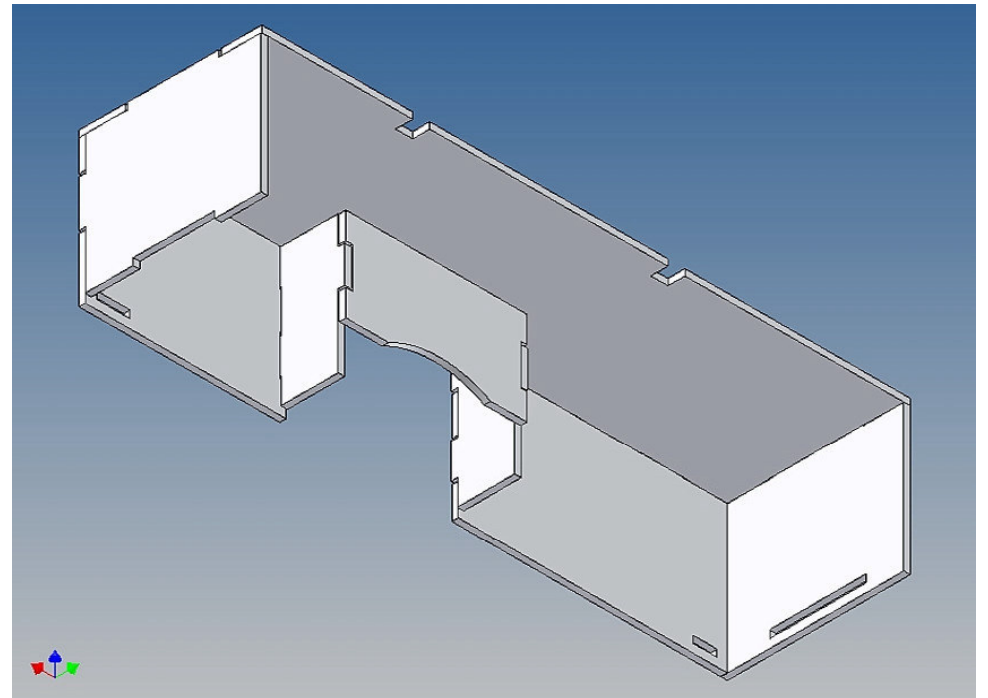
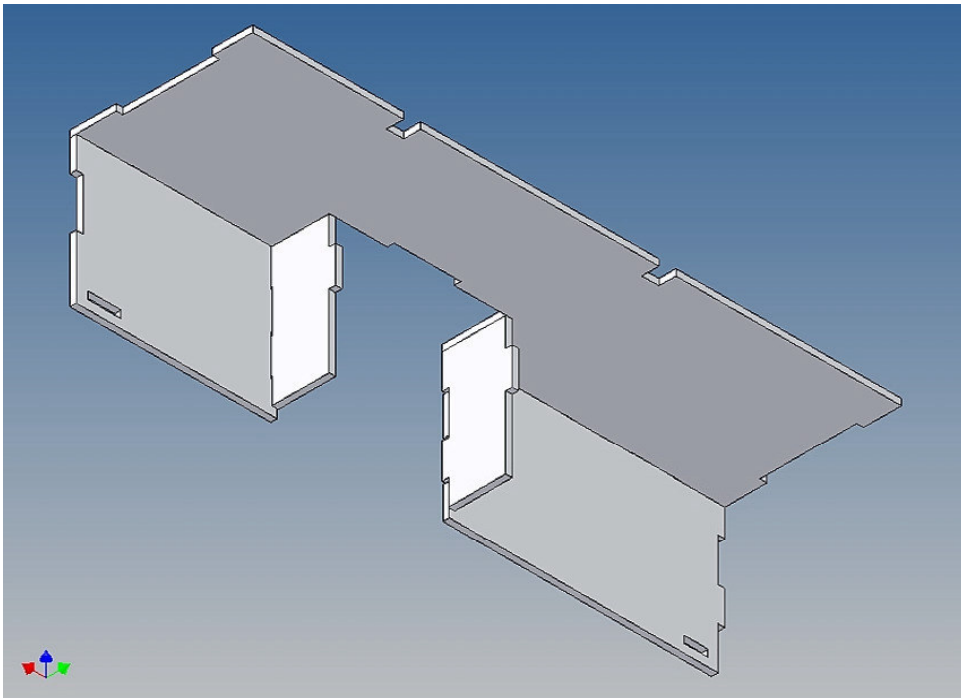
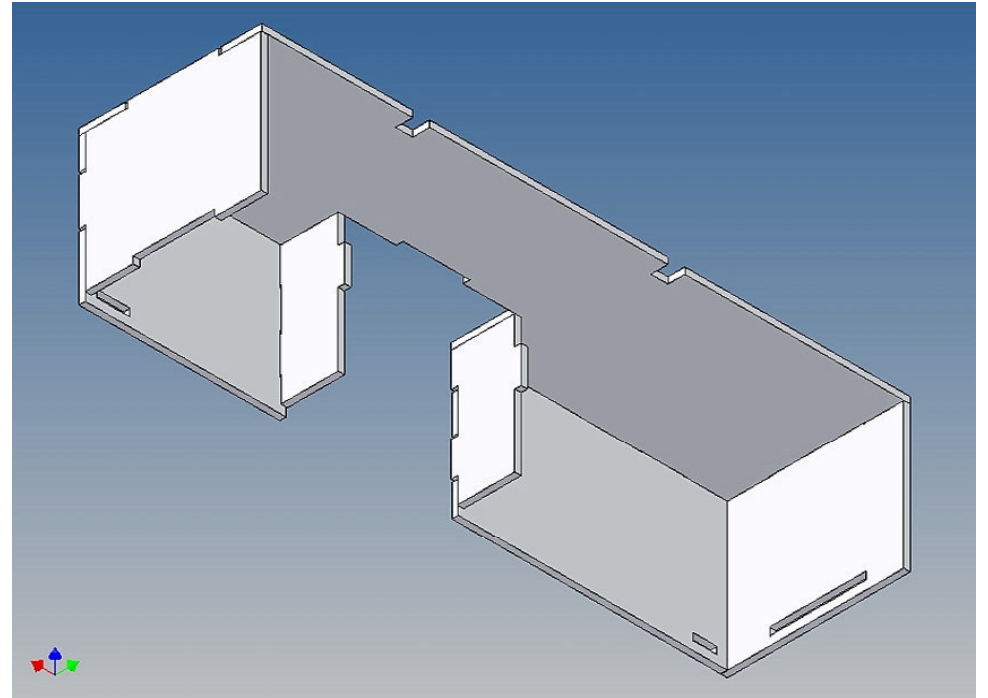
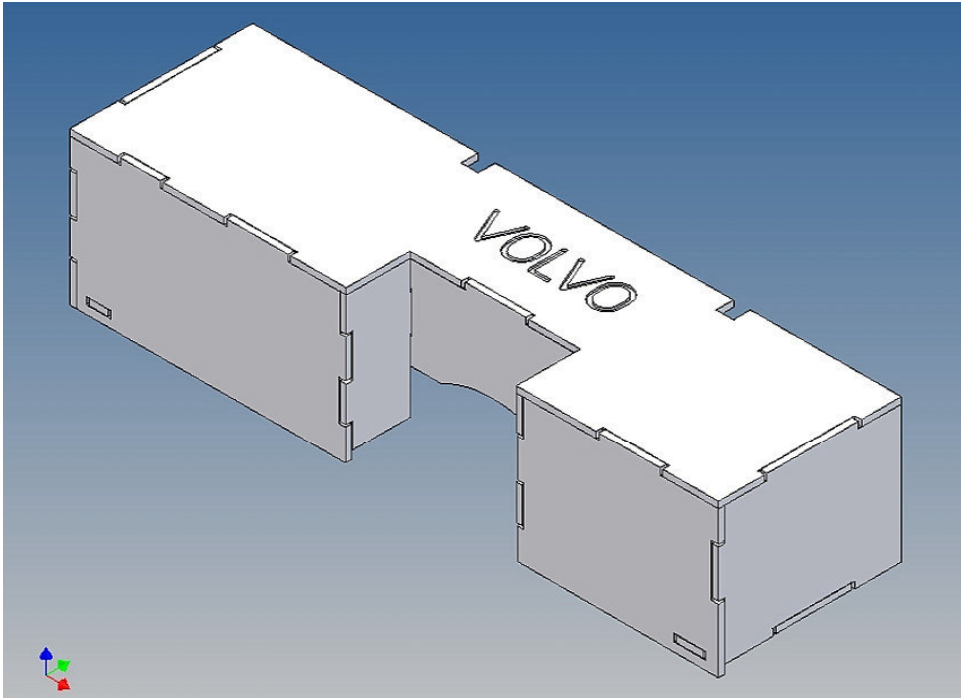
The box is placed on the support plate of the chassis. It covers the R/C electronics and optimizes the space under the driver cabin for RC .

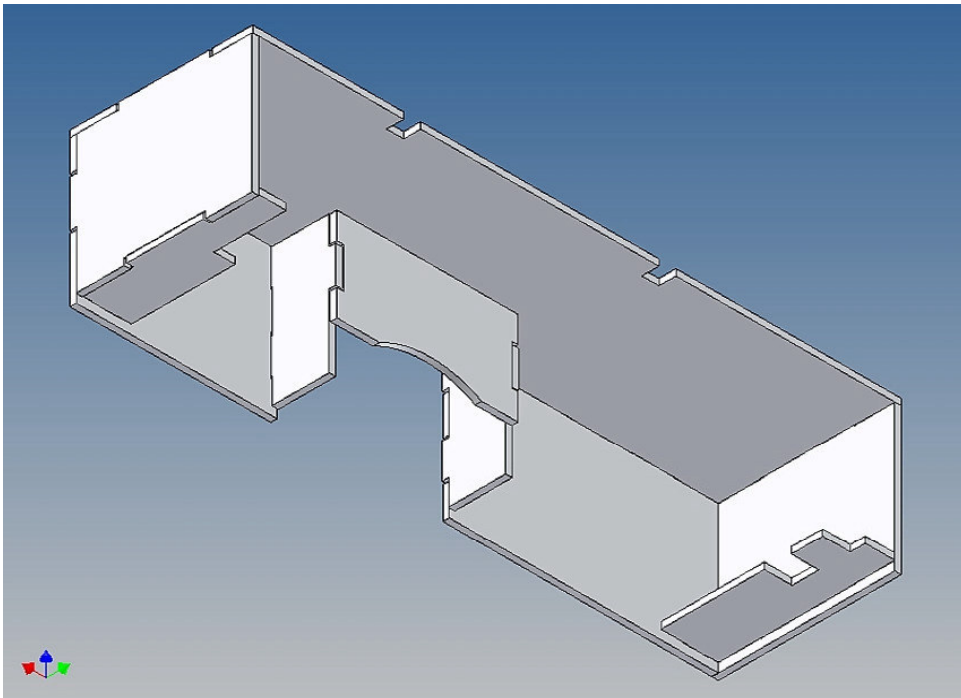
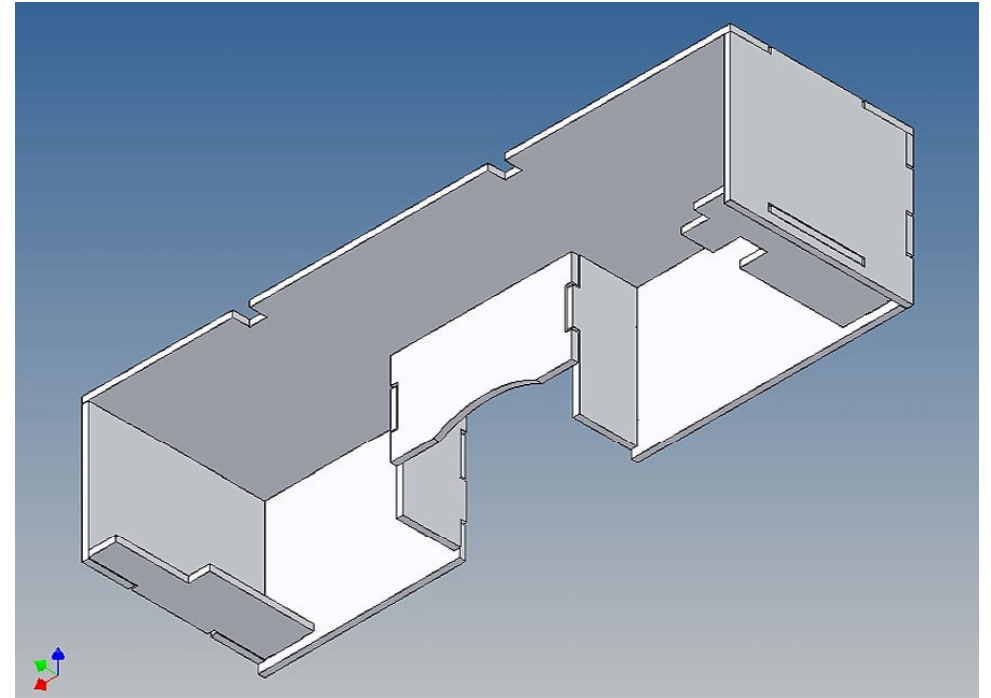
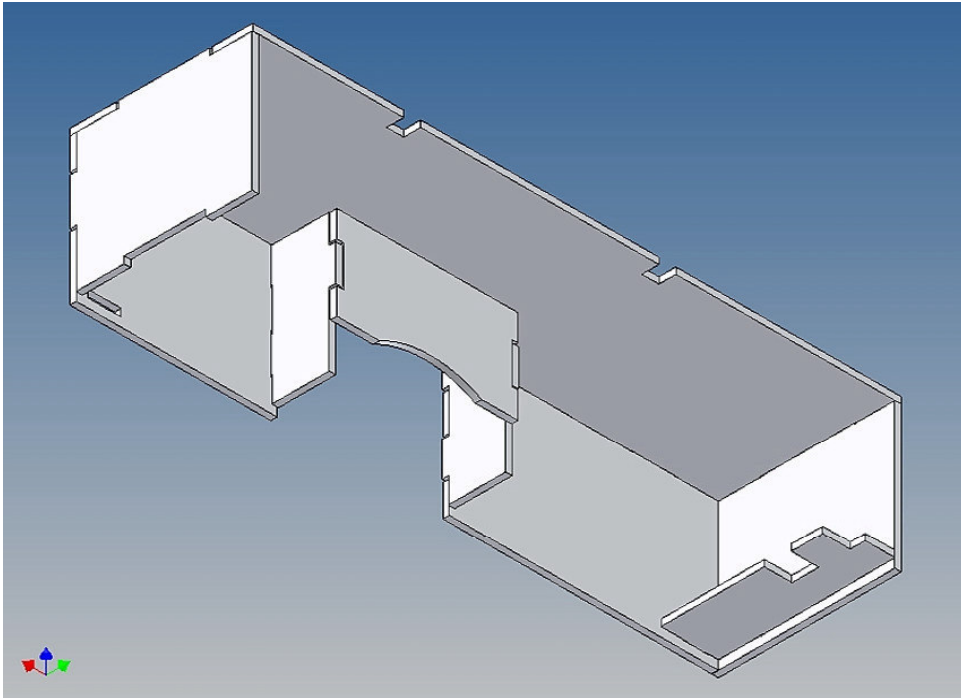
Assembly Procedure

Before you put the parts together please read the assembly instructions carefully and pay attention to the assembly sequence and test the fitting accuracy of the parts before gluing them together.

It is helpful to fix the parts at first only on a few points with super-glue and after a check along the edges fully with super-glue or a polystyrene-glue.

The parts are made of polystyrene, if you use super-glue in combination with activator spray, please be aware that the activator spray can destroy polystyrene – because of that you should use it very carefully or use only polystyrene-glue.





Annotation:

Good luck and have fun - your MDTechShop team

www.MDTechShop.de

For questions or replacement part requests please send a short e-mail.

An appropriate driving cab floor is also available in our shop.

Warning: This is not a toy! It contains small parts! Keep it away from young children!