

# TOROIDAL OUTPUT TRANSFORMER

## Typ EL34PP Push-Pull

### EL34PP UL Push-Pull Output Transformer

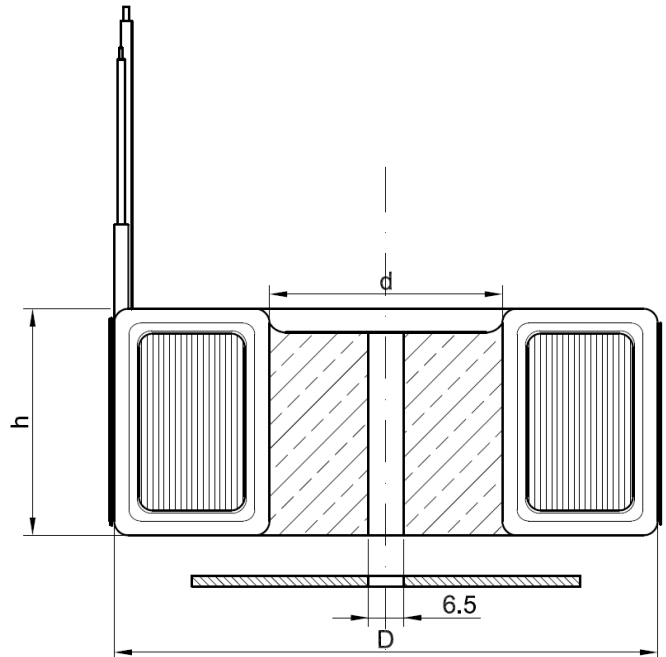
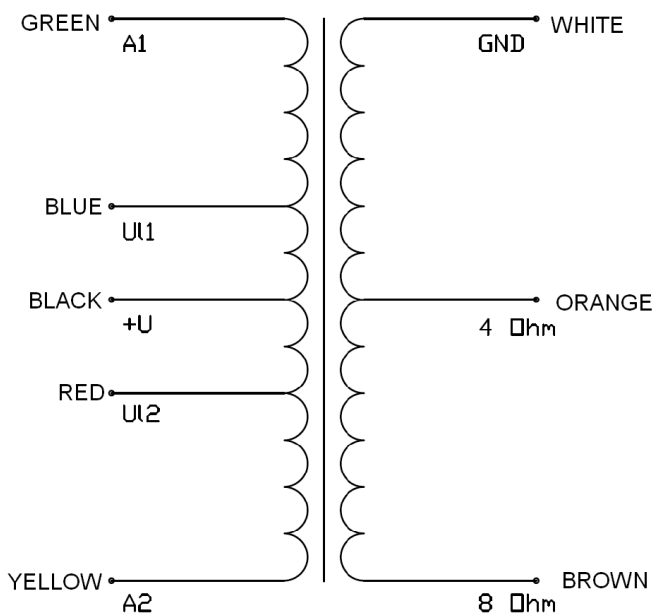
Toroidal Push-Pull output transformer for tubes 2xEL34, 2x6L6, 2x2A3, 2x6P3S (2x6П3С), 2x6CA7, 2x6P27S introduces benefits of toroidal cores to tube output. Through the use of innovative, internationally patented winding technology, we have achieved exceptional electrical parameters, such as flat frequency bandwidth in acoustic range, very low THD distortion and high quality factor.

#### Dane techniczne:

|                                 |   |
|---------------------------------|---|
| Nominal power:                  | 50W   |
| Nominal anode current:          | 200mA   |
| Frequency bandwidth (-3dB):     | 8Hz – 52kHz                                   |
| Secondary inductance:           | 4 / 8 $\Omega$                                |
| Primary Impedance:              | 6,6 k $\Omega$                                |
| Turns Ratio (Np:Ns):            | 40,62:1 (4 $\Omega$ ) / 28,72:1 (8 $\Omega$ ) |
| Primary Inductance Lp:          | 591H  |
| Primary Leakage Inductance Lsp: | 3,5mH   |
| Total Primary DC Resistance:    | 96,1 $\Omega$                                 |

|               |                   |
|---------------|-------------------|
| Core type:    | Toroidal          |
| Intended for: | Push-Pull, 43% UL |

#### Wiring diagram:



#### DIMENSIONS:

|                     |        |
|---------------------|--------|
| Outer diameter (D): | 115mm  |
| Inner diameter (d): | 40mm   |
| Height (h):         | 65mm   |
| Weight:             | 2,5 kg |
| Leads length:       | 250mm  |

[www.röhrenhaus.de](http://www.röhrenhaus.de)