

# SPARE PARTS LIST

MODEL NO. DBC340

| ITEM | PART NO.  | DESCRIPTION                                | QTY | NOTE |
|------|-----------|--|-----|------|
| 001  | 384100100 | SHORT BLOCK 33ML<br>INC. 2,3,7,10,11,14-19 | 1   |      |
| 002  | 384131011 | CYLINDER 37MM                              | 1   |      |
| 003  | 957132384 | PISTON ASSY.<br>INC. 4-6                   | 1   |      |
| 004  | 021132030 | PISTON RING 37MM                           | 1   |      |
| 005  | 385132030 | PISTON PIN                                 | 1   |      |
| 006  | 385132040 | SPRING RING                                | 2   |      |
| 007  | 965527010 | GASKET                                     | 1   |      |
| 010  | 385111100 | CRANKCASE ASSY.                            | 1   |      |
| 011  | 385120100 | CRANK SHAFT ASSY.<br>INC. 12,13            | 1   |      |
| 012  | 960102129 | BALLBEARING 6201                           | 2   |      |
| 013  | 939620371 | KEY  | 1   |      |
| 014  | 962211033 | NEEDLE CAGE                                | 1   |      |
| 015  | 962900057 | RADIAL RING                                | 1   |      |
| 016  | 962900024 | RADIAL RING                                | 1   |      |
| 017  | 900006217 | DISC                                       | 1   |      |
| 018  | 908505555 | SCREW M5X55                                | 4   |      |
| 019  | 913467304 | SCREW 6.7X30                               | 4   |      |
| 021  | 387118011 | HOOD                                       | 1   |      |
| 022  | 908605205 | SCREW M5X20                                | 2   |      |
| 025  | 387110101 | MOTOR HOUSING CPL.<br>INC. 26,28,29,32,33  | 1   |      |
| 026  | 010114090 | FUELTANK PLUG CPT.                         | 1   |      |
| 028  | 965404220 | VALVE                                      | 1   |      |
| 029  | 010114010 | SUCTION HEAD(FUEL)<br>INC. 30              | 1   |      |
| 030  | 010114020 | REP.KIT, FILTER                            | 1   |      |
| 032  | 965452380 | VENTILATION LINE                           | 1   |      |
| 033  | 965452470 | FUEL LINE                                  | 1   |      |
| 035  | 913447134 | SCREW 4.7X13                               | 1   |      |
| 036  | 924805300 | DISC                                       | 1   |      |
| 037  | 387217600 | CLUTCH CASE ASSY.                          | 1   |      |
| 038  | 913467254 | SCREW 6.7X25                               | 4   |      |
| 039  | 965903080 | CLAMPING RING                              | 1   |      |
| 040  | 908006255 | FILLISTER HEAD SCREW M6X25                 | 1   |      |
| 041  | 010181000 | CLUTCH SHOE,SET<br>INC. 42                 | 1   |      |
| 042  | 385184020 | SPRING                                     | 1   |      |
| 043  | 385141011 | FLYWHEEL                                   | 1   |      |
| 044  | 928308001 | SPRING WASHER 8X17                         | 1   |      |
| 045  | 920308024 | HEXAGONAL NUT M8                           | 1   |      |
| 046  | 385143030 | IGNITION COIL                              | 1   |      |
| 047  | 908605205 | SCREW M5X20                                | 2   |      |
| 048  | 965605411 | PLUG                                       | 1   |      |
| 049  | 970502110 | INSULATING HOSE                            | 1   |      |
| 050  | 385147100 | PLUG CAP WITH SPRING                       | 1   |      |
| 051  | 965603021 | SPARK PLUG BPMR7A                          | 1   |      |
| 052  | 387160101 | STARTER<br>INC. 53-58                      | 1   |      |
| 053  | 985000150 | STARTER ROPE                               | 1   |      |
| 054  | 957404691 | STARTER GRIP CPL.                          | 1   |      |
| 055  | 387163010 | REWIND SPRING                              | 1   |      |
| 056  | 387162020 | CABLE DRUM                                 | 1   |      |
| 057  | 385161010 | SCREW                                      | 1   |      |
| 058  | 387161030 | DISC                                       | 1   |      |
| 059  | 387166050 | STARTER WHEEL ASSY.<br>INC. 61             | 1   |      |
| 060  | 920308024 | HEXAGONAL NUT M8                           | 1   |      |
| 061  | 957166387 | STARTER RATCHET CPL.                       | 1   |      |

# SPARE PARTS LIST

MODEL NO. DBC340

| ITEM | PART NO.  | DESCRIPTION                                       | QTY | NOTE |
|------|-----------|---|-----|------|
| 062  | 908605205 | SCREW M5X20                                       | 4   |      |
| 063  | 980114217 | LABEL   | 1   |      |
| 064  | 908405145 | SCREW M5X14                                       | 3   |      |
| 065  | 385174101 | MUFFLER CPL.                                      | 1   |      |
| 066  | 965527040 | GASKET  | 1   |      |
| 067  | 385174011 | COOLING PLATE                                     | 1   |      |
| 068  | 965527030 | GASKET  | 1   |      |
| 069  | 385131050 | INTERMEDIATE FLANGE                               | 1   |      |
| 070  | 900105704 | SCREW M5X70                                       | 2   |      |
| 071  | 908005255 | FILLSTER HEAD SCREW M5X25                         | 2   |      |
| 072  | 965527020 | GASKET  | 1   |      |
| 073  | 031150730 | CHOKE SHAFT                                       | 1   |      |
| 074  | 965401016 | RUBBER BUSH                                       | 1   |      |
| 075  | 920205000 | HEXAGONAL NUT M5                                  | 2   |      |
| 076  | 965527060 | GASKET  | 1   |      |
| 077  | 385173100 | AIR FILTER  | 1   |      |
| 078  | 387118020 | COVER   | 1   |      |
| 079  | 001118062 | NUT M5  | 1   |      |
| 080  | 387151000 | CARBURETOR CPL.<br>INC. 81-103                    | 1   |      |
| 081  | 021151160 | PUMP COVER  | 1   |      |
| 082  | 001151400 | IDLE STOP SCREW                                   | 1   |      |
| 083  | 021151230 | PRESSURE SPRING                                   | 1   |      |
| 084  | 118151190 | SCREW   | 1   |      |
| 085  | 957151010 | PUMP DIAPHRAGM,SET                                | 1   |      |
| 086  | 021151120 | DIAPHRAGM COVER                                   | 1   |      |
| 087  | 118151020 | SCREW   | 4   |      |
| 088  | 957151020 | CONTROL DIAPHRAGM,SET                             | 1   |      |
| 089  | 385151040 | THROTTLE SHAFT                                    | 1   |      |
| 090  | 371151310 | SPRING  | 1   |      |
| 091  | 001151680 | THROTTLE SHUTTER                                  | 1   |      |
| 092  | 118151060 | SCREW   | 2   |      |
| 093  | 108151350 | SHAFT CLIP  | 1   |      |
| 094  | 908005305 | FILLSTER HEAD SCREW M5X30                         | 1   |      |
| 095  | 118151020 | SCREW   | 1   |      |
| 096  | 001151350 | CHOKE SHUTTER                                     | 1   |      |
| 097  | 118151170 | FRICTION BALL                                     | 1   |      |
| 098  | 118151160 | FRICTION SPRING                                   | 1   |      |
| 099  | 001151420 | MAIN ADJUSTMENT SCREW(H)                          | 1   |      |
| 100  | 021151530 | SPRING(H)   | 1   |      |
| 101  | 001151410 | IDLING ADJUSTMENT SCREW(L)                        | 1   |      |
| 102  | 021151480 | SPRING(L)   | 1   |      |
| 103  | 021151180 | SCREEN  | 1   |      |
| 104  | 957150040 | SET OF CONTROL PARTS                              | 1   |      |
| 105  | 387310030 | CLAMPING HOLDER                                   | 1   |      |
| 106  | 908006145 | FILLISTER HEAD SCREW 6X14                         | 4   |      |
| 108  | 387310620 | HANDLE HOLDER                                     | 1   |      |
| 109  | 385316010 | ORIFICE PLATE                                     | 1   |      |
| 110  | 913467164 | SCREW 6.7X16                                      | 2   |      |
| 111  | 980114327 | LABEL   | 1   |      |
| 114  | 387310610 | CLAMPING PIECE                                    | 2   |      |
| 115  | 965403380 | RING BUFFER                                       | 4   |      |
| 116  | 965903080 | CLAMPING RING                                     | 2   |      |
| 117  | 908006255 | FILLISTER HEAD SCREW M6X25                        | 2   |      |
| 121  | 369313202 | OPERATING LEVER ASSY.<br>INC. 122,124-128,130,131 | 1   |      |
| 122  | 385726070 | BOWDEN CABLE CPL.                                 | 1   |      |
| 123  | 385310161 | HANDLE  | 1   |      |
| 124  | 369313290 | HANDLE HALF,RIGHT,CPL                             | 1   |      |
| 125  | 369313080 | HANDLE HALF,LEFT                                  | 1   |      |
| 126  | 369311080 | THROTTLE LEVER                                    | 1   |      |

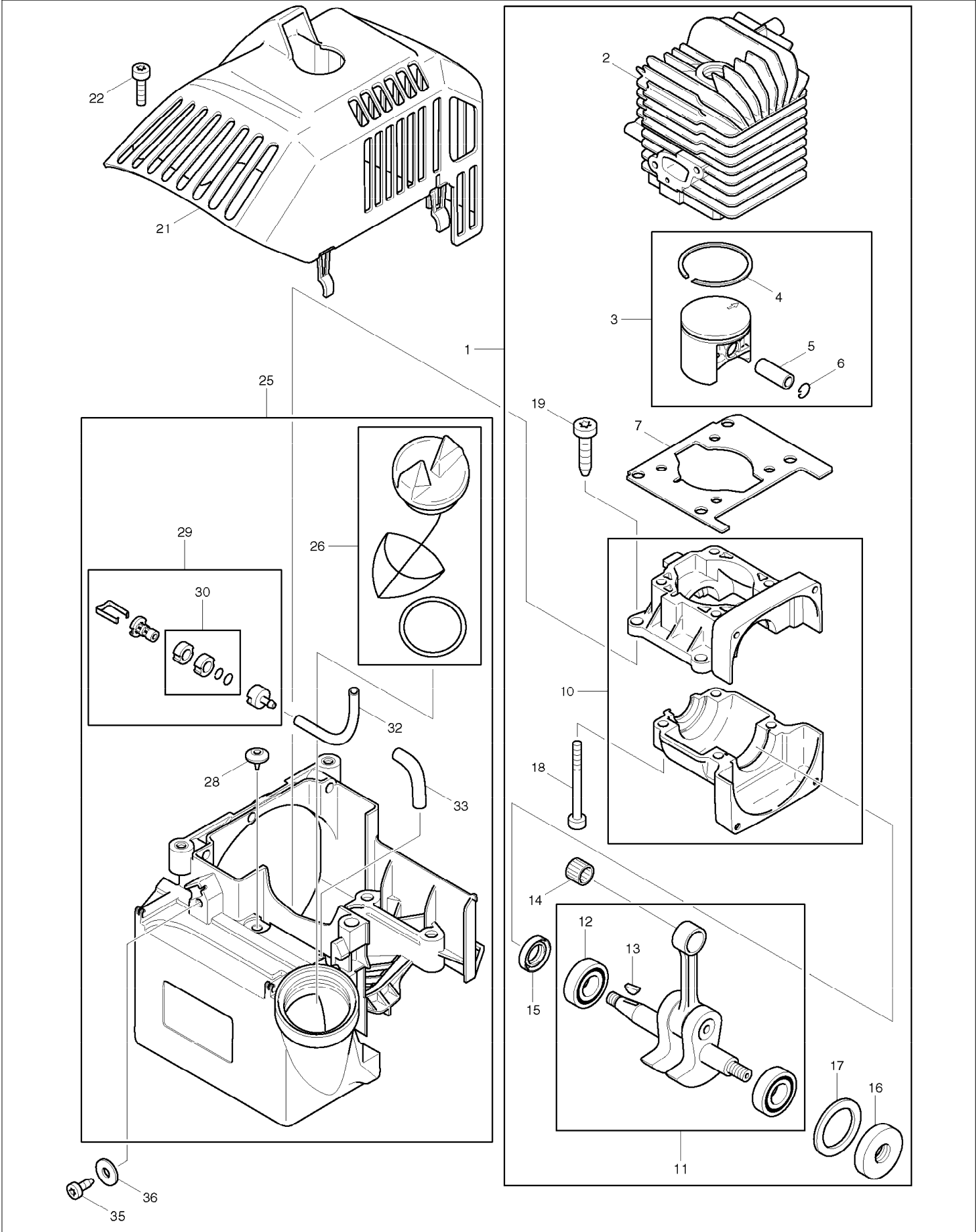
# SPARE PARTS LIST

MODEL NO. DBC340

| ITEM | PART NO.  | DESCRIPTION                       | QTY | NOTE |
|------|-----------|-----------------------------------|-----|------|
| 127  | 369311071 | SPRING                            | 1   |      |
| 128  | 975001210 | SHORT CIRCUIT SWITCH              | 1   |      |
| 129  | 915735100 | SCREW M3.5X10                     | 2   |      |
| 130  | 965903080 | CLAMPING RING                     | 1   |      |
| 131  | 908006255 | FILLISTER HEAD SCREW M6X25        | 1   |      |
| 132  | 387311100 | HANDLE, LEFT                      | 1   |      |
| 135  | 010261030 | MAIN PIPE ASSY.<br>INC. 136,137   | 1   |      |
| 136  | 387228030 | TRANSMISSION SHAFT                | 1   |      |
| 137  | 980114148 | LABEL                             | 1   |      |
| 138  | 980114148 | LABEL                             | 1   |      |
| 140  | 010341202 | PROTECTION HOOD ASSY.             | 1   |      |
| 141  | 385341021 | PLATE<br>INC. 141-143             | 1   |      |
| 142  | 908005095 | SCREW M5X9                        | 4   |      |
| 143  | 957341010 | LINE CUTTER                       | 1   |      |
| 144  | 387341030 | FLANGE PLATE                      | 1   |      |
| 145  | 908005255 | FILLSTER HEAD SCREW M5X25         | 2   |      |
| 146  | 387200201 | GEAR CPL.<br>INC. 147-150,154-156 | 1   |      |
| 147  | 908005095 | SCREW M5X9                        | 1   |      |
| 148  | 900208104 | SCREW M8X1.25X10                  | 1   |      |
| 149  | 963604306 | GASKET                            | 1   |      |
| 150  | 387228020 | DISTANCE RING                     | 1   |      |
| 152  | 387224050 | WINDING PREVENTER                 | 1   |      |
| 153  | 908005095 | SCREW M5X9                        | 3   |      |
| 154  | 387224011 | MOUNTING DISC                     | 1   |      |
| 155  | 387224020 | PRESSURE DISC                     | 1   |      |
| 156  | 387228040 | SAFETY NUT M10X1.25L              | 1   |      |

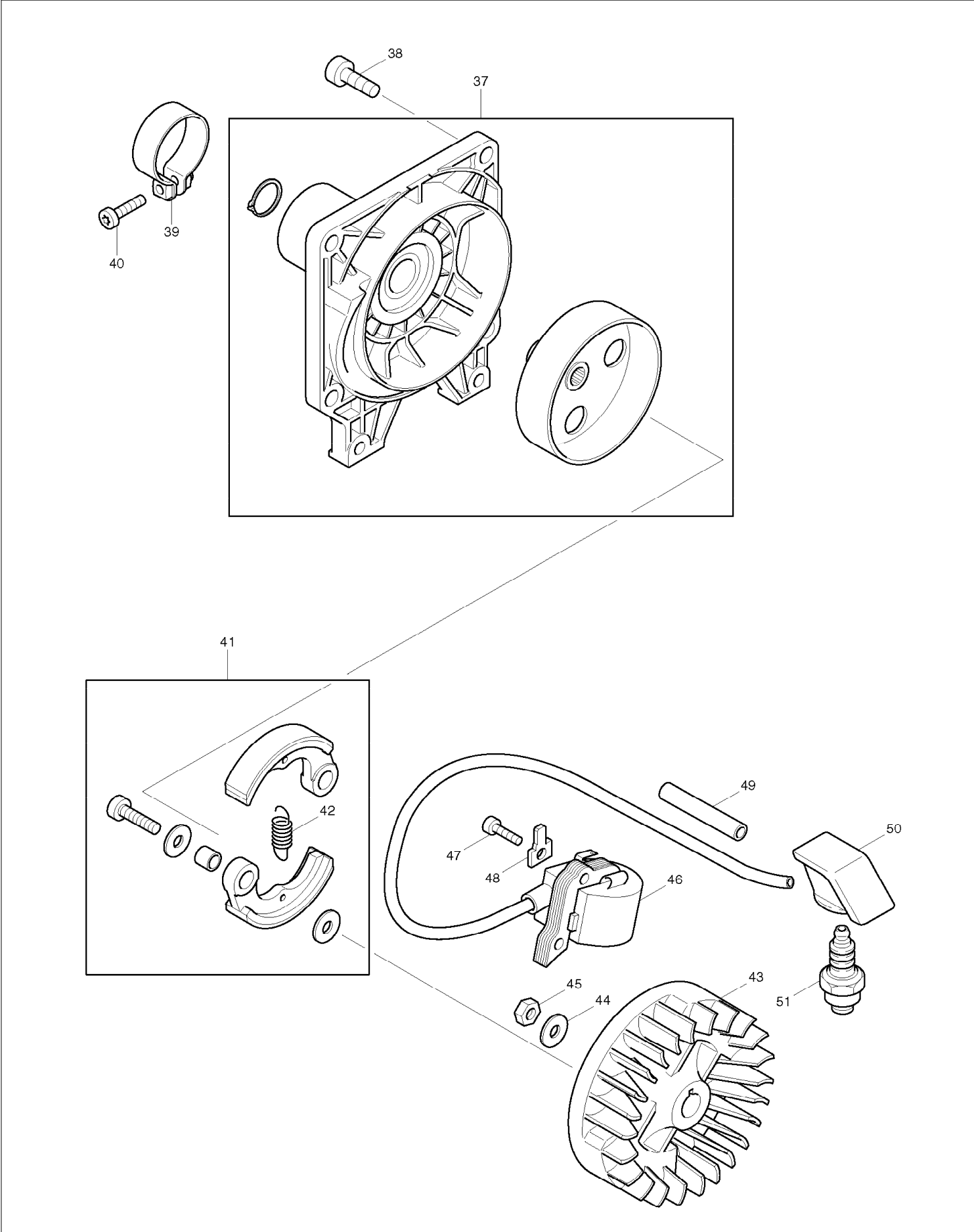
# SERVICE DRAWING

MODEL NO. DBC340



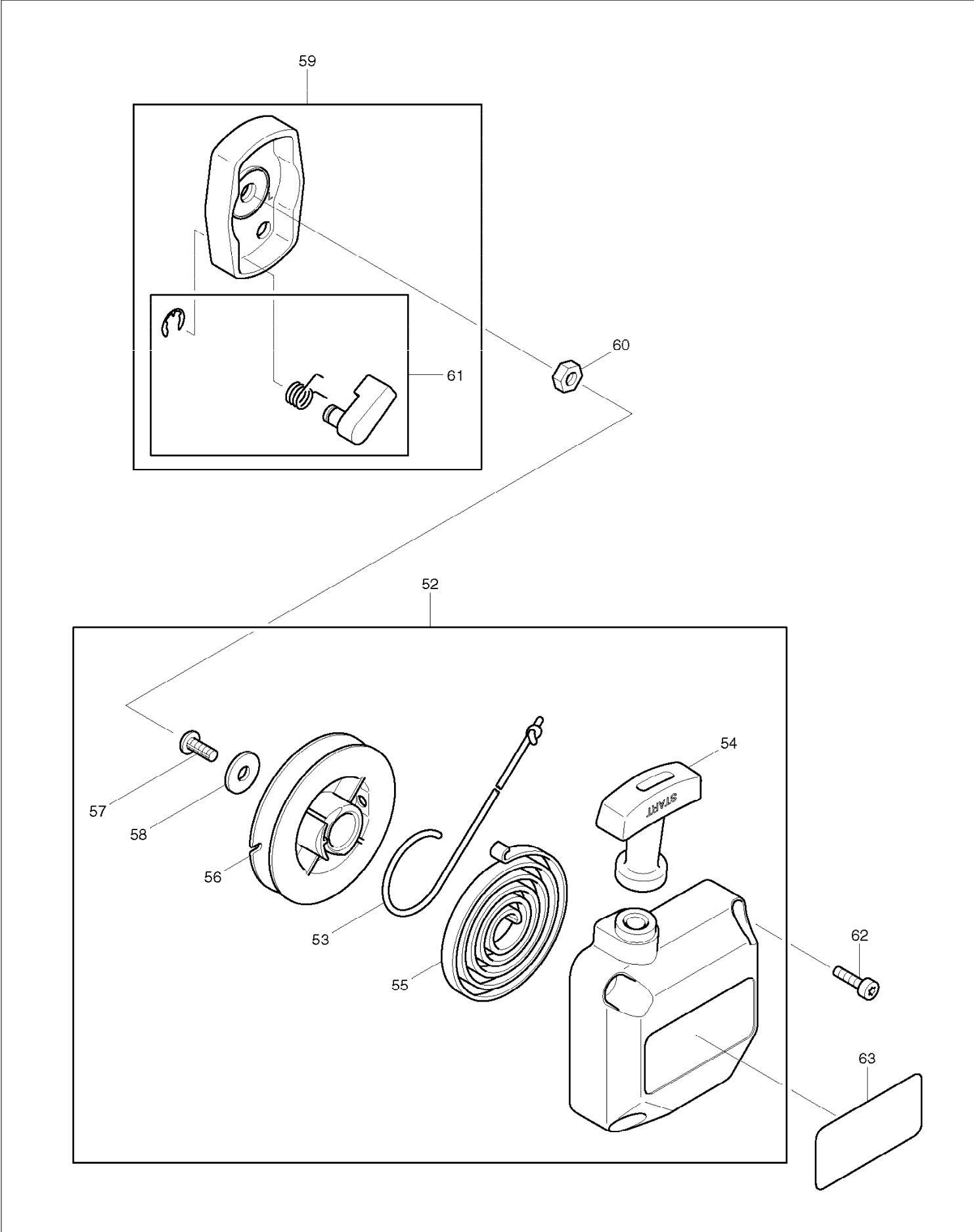
# SERVICE DRAWING

MODEL NO. DBC340



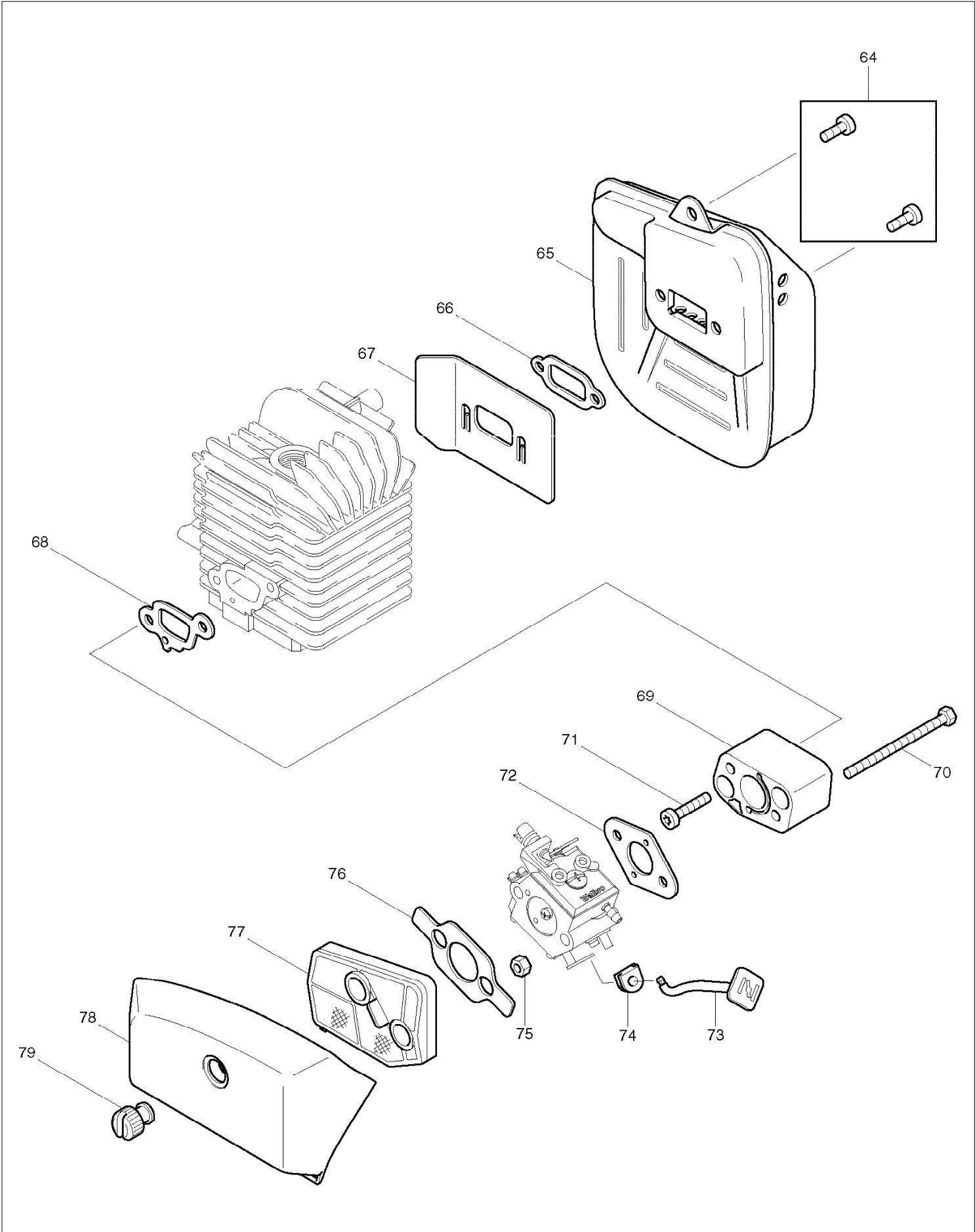
# SERVICE DRAWING

MODEL NO. DBC340



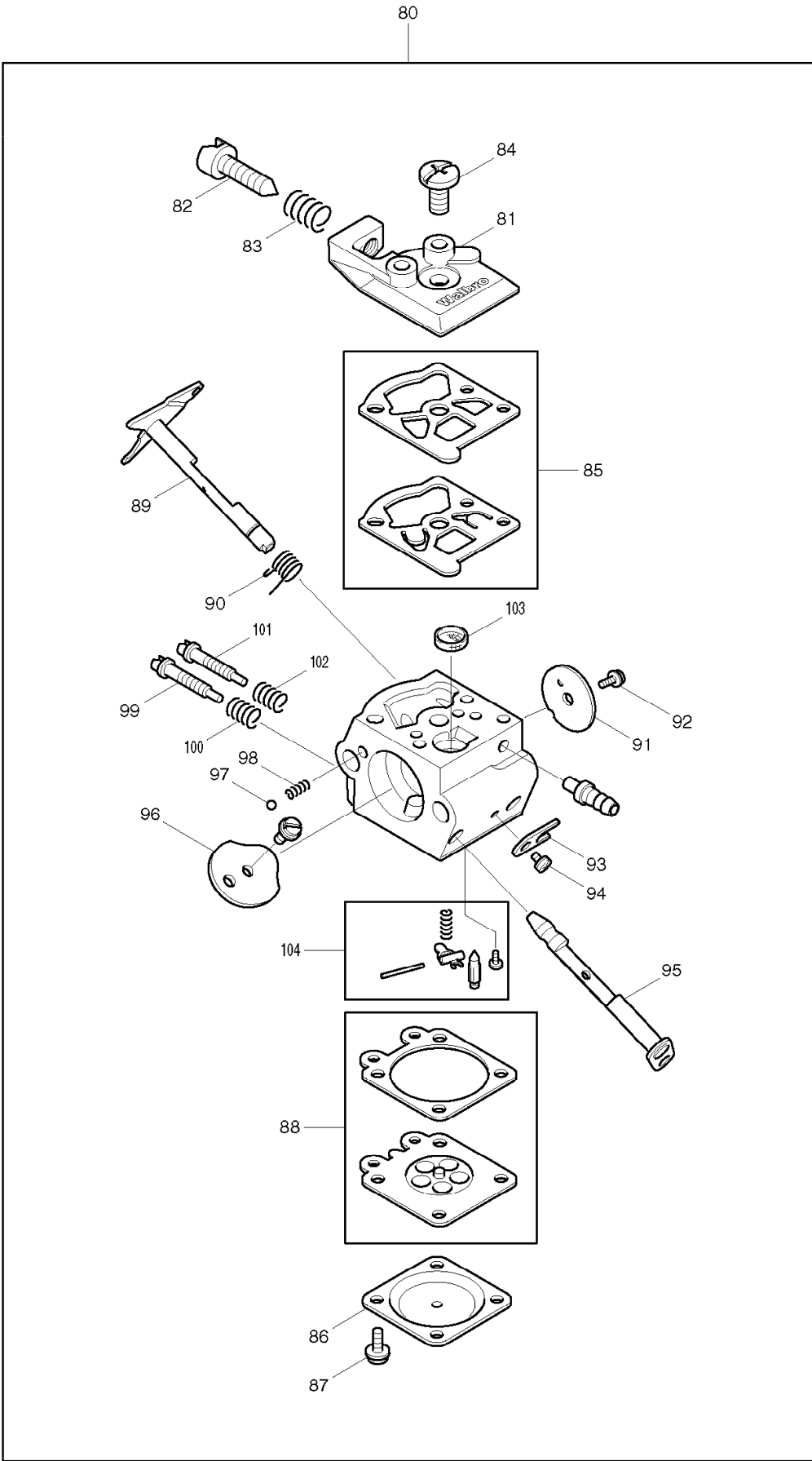
# SERVICE DRAWING

MODEL NO. DBC340



# SERVICE DRAWING

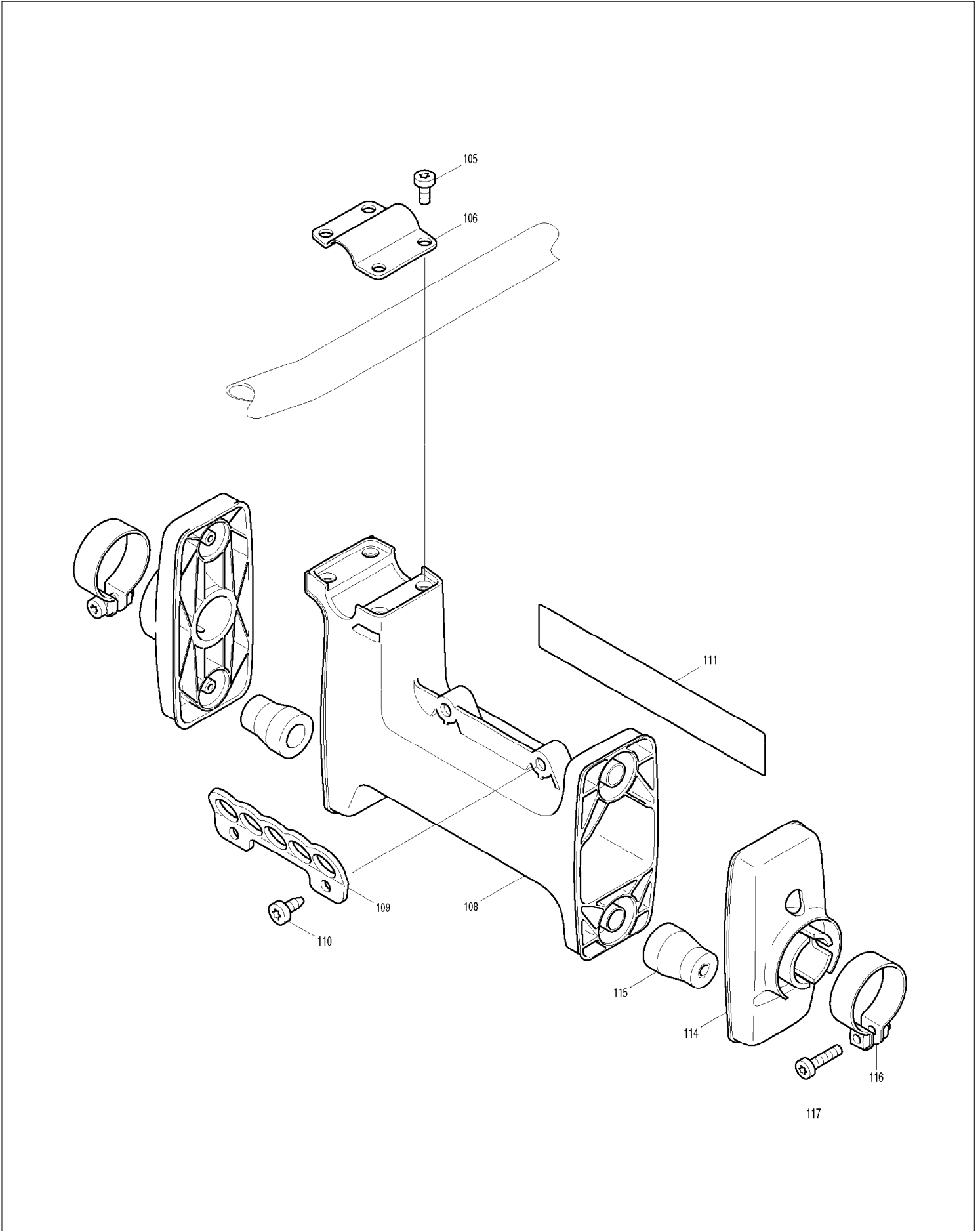
MODEL NO. DBC340





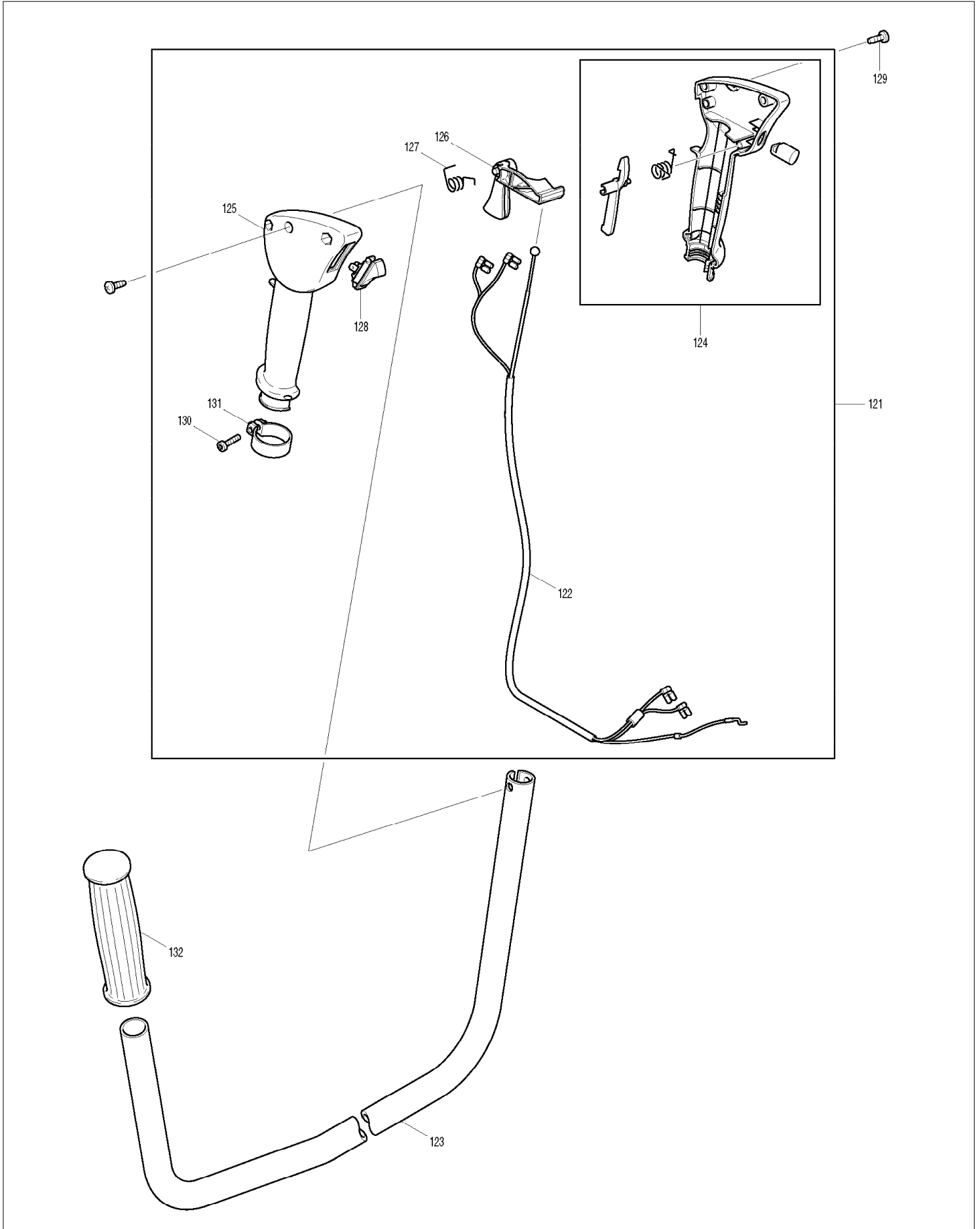
# SERVICE DRAWING

MODEL NO. DBC340



# SERVICE DRAWING

MODEL NO. DBC340



# SERVICE DRAWING

MODEL NO. DBC340

