

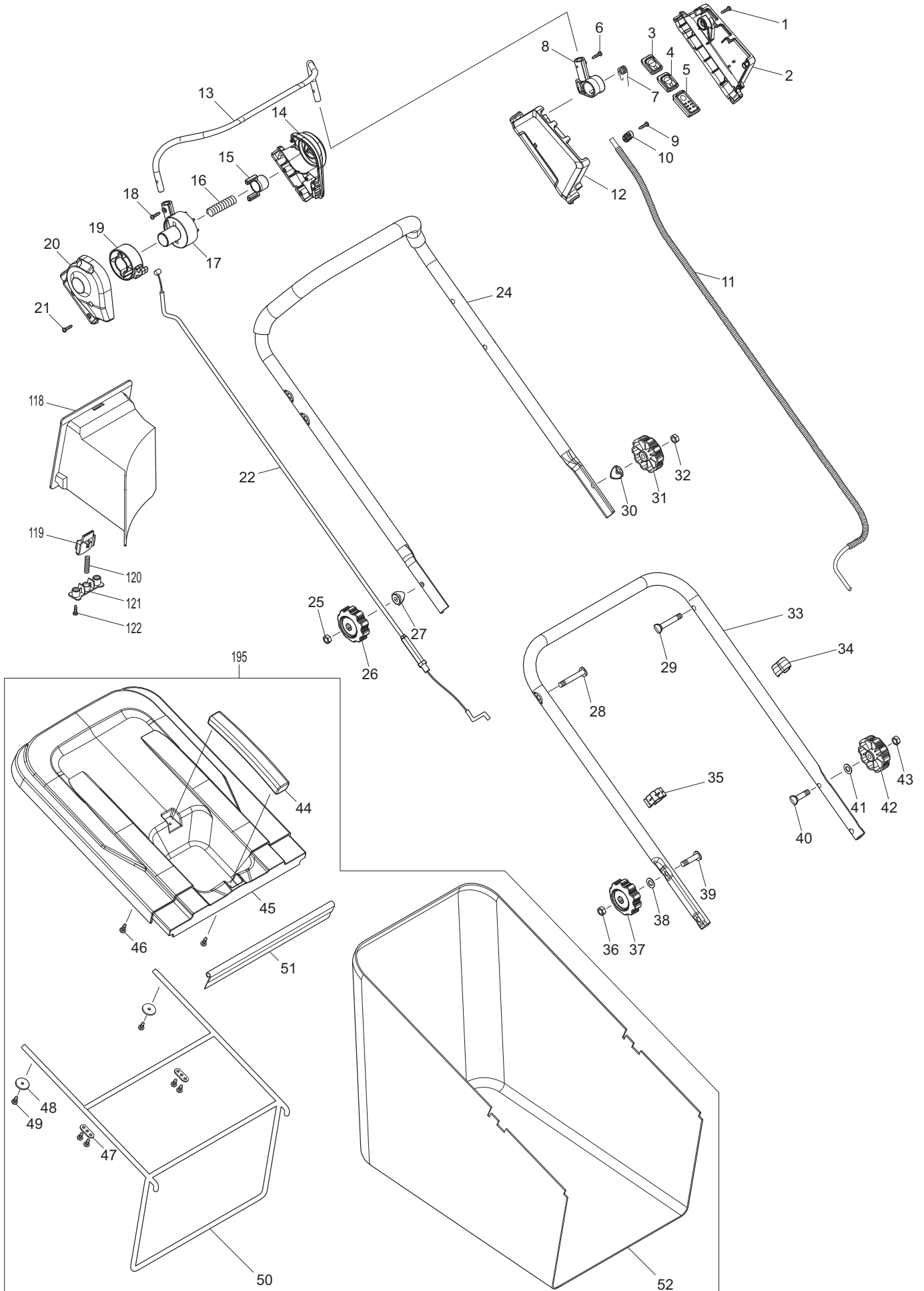


# Ersatzteilliste Spare Parts List

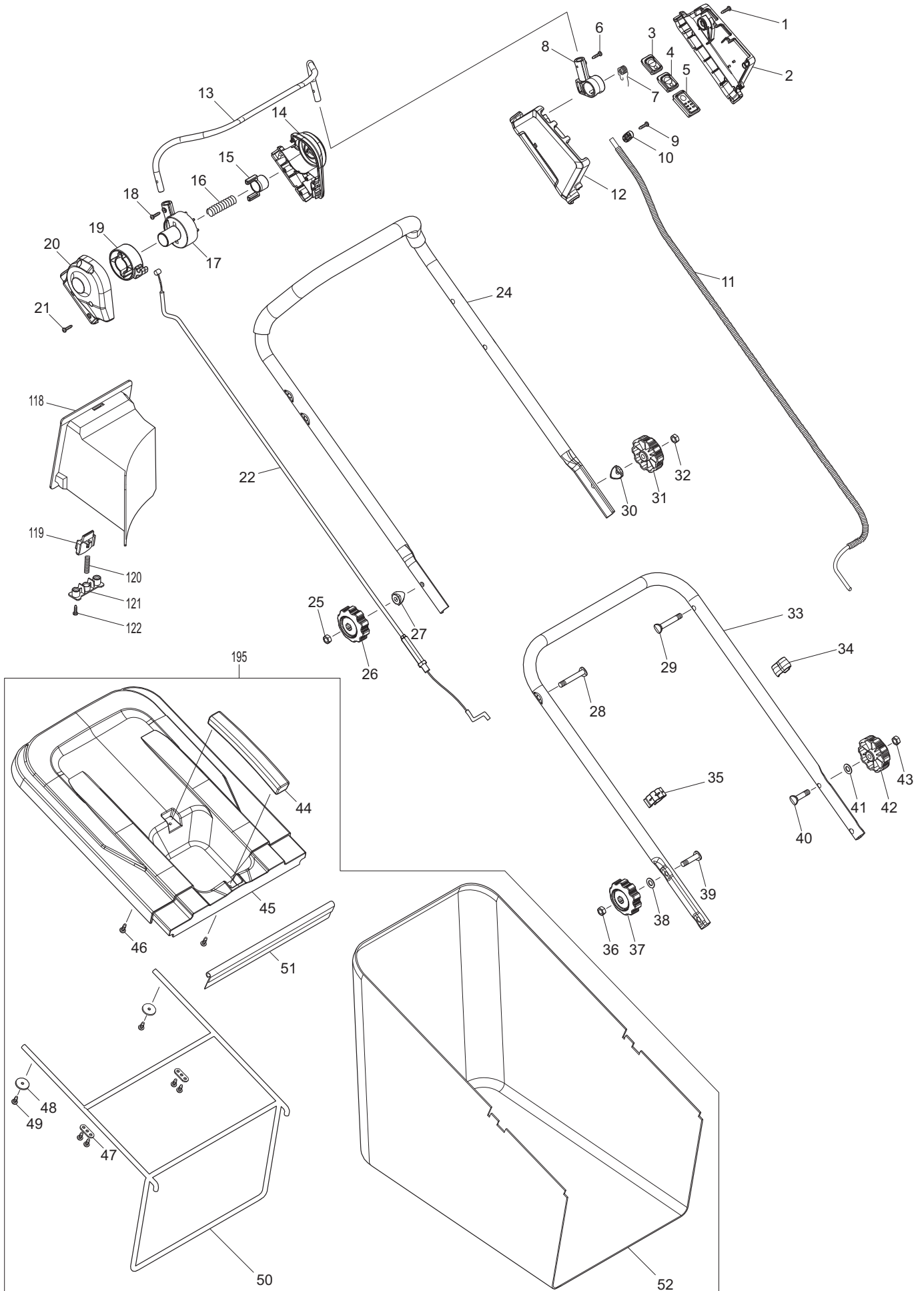
2019-07

**DLM460**  
**AM3746**

DLM460, AM3746 (D, GB)



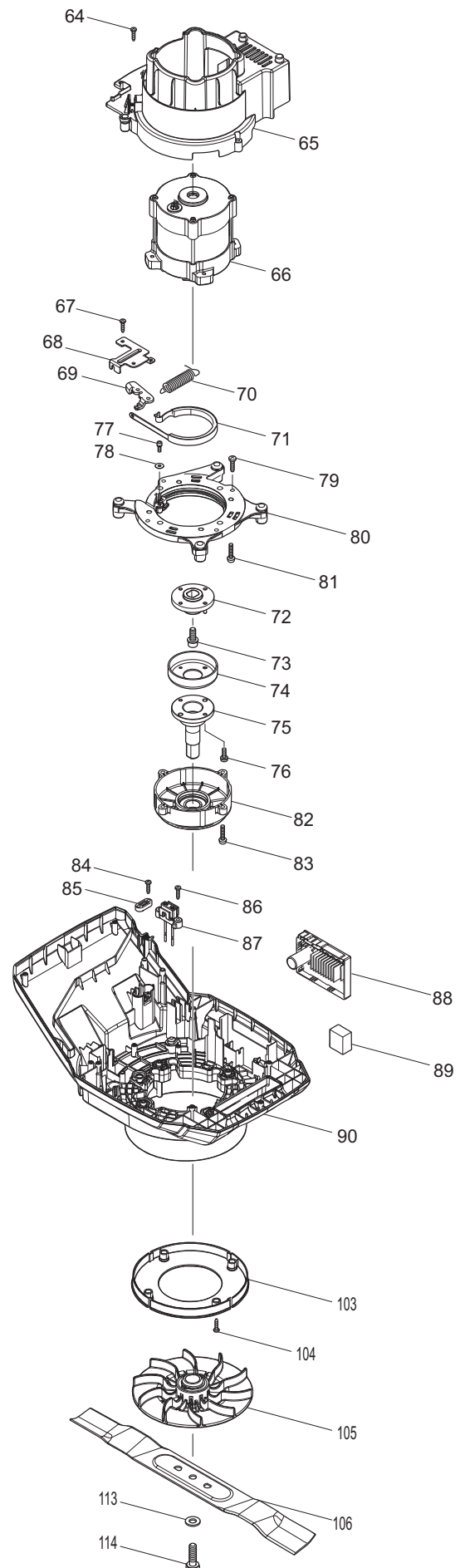
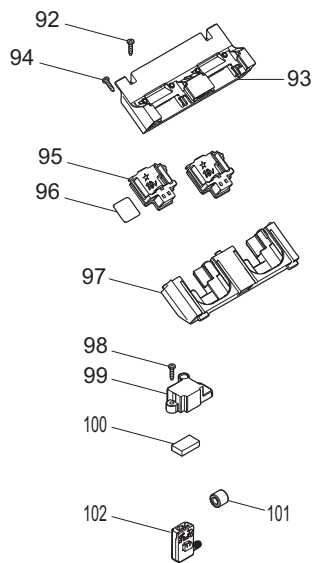
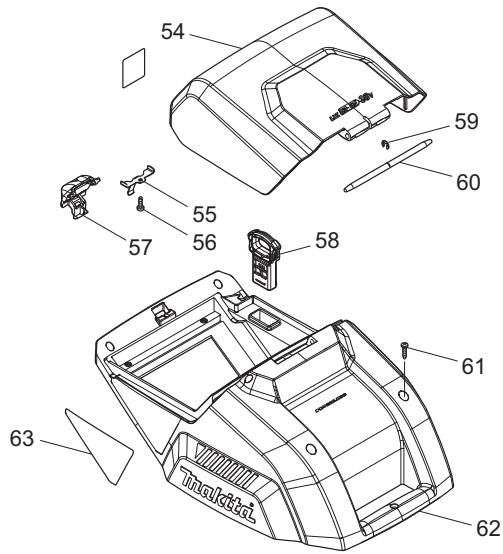
| Seite / Page | Pos. | DLM460 | AM3746 | Teil-Nr.<br>Part No. | Hinweise<br>Notes | Bezeichnung               | Spezifikation<br>Specification | Description             |
|--------------|------|--------|--------|----------------------|-------------------|---------------------------|--------------------------------|-------------------------|
| 1            | 1    | 4      | 4      | 266326-2             |                   | SCHNEIDSCHRAUBE           | 4x18                           | TAPPING SCREW           |
| 1            | 2    | 1      | 1      | 183K45-0             |                   | SCHALTERGEHÄUSE-SET       | INC. 12                        | SWITCH BOX L/R          |
| 1            | 3    | 1      | 1      | 140F09-7             |                   | SCHALTERELEKTRONIK        |                                | SWITCH CIRCUIT COMPLETE |
| 1            | 3    | 1      | 1      | 810D46-0             |                   | HINWEISSCHILD SCHALTER    |                                | SWITCH LABEL            |
| 1            | 4    | 1      | 1      | 140F10-2             |                   | SCHALTERELEKTRONIK        |                                | SWITCH CIRCUIT COMPLETE |
| 1            | 4    | 1      | 1      | 818A74-1             |                   | HINWEISSCHILD SCHALTER    |                                | SWITCH LABEL            |
| 1            | 5    | 1      | 1      | 140F08-9             |                   | LED-SCHALTUNG KPL.        |                                | LED CIRCUIT COMPLETE    |
| 1            | 5    | 1      | 1      | 818A73-3             |                   | SCHILD LED                |                                | LABEL LED CIRCUIT       |
| 1            | 6    | 1      | 1      | 266324-6             |                   | SCHNEIDSCHRAUBE           | 4X22                           | TAPPING SCREW           |
| 1            | 7    | 1      | 1      | 232470-7             |                   | SPIRALFEDER               | 12                             | TORSION SPRING          |
| 1            | 8    | 1      | 1      | 458803-0             |                   | HEBELTRÄGER               |                                | LEVER SUPPORT           |
| 1            | 9    | 2      | 2      | 266326-2             |                   | SCHNEIDSCHRAUBE           | 4x18                           | TAPPING SCREW           |
| 1            | 10   | 1      | 1      | 687124-5             |                   | KABELKLEMMPLATTE          |                                | STRAIN RELIEF CABLE     |
| 1            | 11   | 1      | 1      | 699115-4             |                   | KABEL                     |                                | POWER SUPPLY CORD UNIT  |
| 1            | 12   | 1      | 1      | 183K45-0             |                   | SCHALTERGEHÄUSE-SET       | INC. 2                         | SWITCH BOX L/R          |
| 1            | 13   | 1      | 1      | 327208-4             |                   | SCHALTHEBEL               |                                | SWITCH LEVER            |
| 1            | 14   | 1      | 1      | 183K56-5             |                   | SCHALTHEBELGEHÄUSE        | INC. 20                        | LEVER BOX SET           |
| 1            | 14   | 1      | 1      | 818A72-5             |                   | HINWEISSCHILD             |                                | INDICATION LABEL        |
| 1            | 15   | 1      | 1      | 458807-2             |                   | SCHALTERENTRIEGELUNG      |                                | LOCK OFF BUTTON         |
| 1            | 16   | 1      | 1      | 231227-3             |                   | DRUCKFEDER                | 15                             | COMPRESSION SPRING      |
| 1            | 17   | 1      | 1      | 458805-6             |                   | BUCHSE A                  |                                | DRIVING SLEEVE A        |
| 1            | 18   | 1      | 1      | 266324-6             |                   | SCHNEIDSCHRAUBE           | 4X22                           | TAPPING SCREW           |
| 1            | 19   | 1      | 1      | 458806-4             |                   | BUCHSE B                  |                                | DRIVING SLEEVE B        |
| 1            | 20   | 1      | 1      | 183K56-5             |                   | SCHALTHEBELGEHÄUSE        | INC. 14                        | LEVER BOX SET           |
| 1            | 20   | 1      | 1      | 818A72-5             |                   | HINWEISSCHILD             |                                | INDICATION LABEL        |
| 1            | 21   | 4      | 4      | 266326-2             |                   | SCHNEIDSCHRAUBE           | 4x18                           | TAPPING SCREW           |
| 1            | 22   | 1      | 1      | 162509-1             |                   | BOWDENZUG                 |                                | CONTROL CABLE           |
| 1            | 24   | 1      | 1      | DA00001255           |                   | HOLM OBERTEIL             |                                | HANDLE UPPER GRIP RUBB  |
| 1            | 25   | 1      | 1      | DA00000563           |                   | SECHSKANTMUTTER           | M8                             | HEXAGONAL NUT           |
| 1            | 26   | 1      | 1      | DA00000564           |                   | STERNGRIFF                |                                | STAR KNOB               |
| 1            | 27   | 1      | 1      | DA00000924           |                   | SCHEIBE                   |                                | WASHER                  |
| 1            | 28   | 1      | 1      | DA00000569           |                   | FLACHKOPFSCHRAUBE         | M8x58                          | FLAT HEAD BOLT          |
| 1            | 29   | 1      | 1      | DA00000569           |                   | FLACHKOPFSCHRAUBE         | M8x58                          | FLAT HEAD BOLT          |
| 1            | 30   | 1      | 1      | DA00000924           |                   | SCHEIBE                   |                                | WASHER                  |
| 1            | 31   | 1      | 1      | DA00000564           |                   | STERNGRIFF                |                                | STAR KNOB               |
| 1            | 32   | 1      | 1      | DA00000563           |                   | SECHSKANTMUTTER           | M8                             | HEXAGONAL NUT           |
| 1            | 33   | 1      | 1      | 671001606            |                   | HOLM UNTERTEIL            |                                | HANDLE, LOWER PART      |
| 1            | 34   | 1      | 1      | 458810-3             |                   | BOWDENZUGHALTER           |                                | BOWDEN CABLE CLAMP      |
| 1            | 35   | 1      | 1      | 671611001            |                   | BOWDENZUGHALTER           |                                | BOWDEN CABLE CLAMP      |
| 1            | 36   | 1      | 1      | DA00000563           |                   | SECHSKANTMUTTER           | M8                             | HEXAGONAL NUT           |
| 1            | 37   | 1      | 1      | DA00000564           |                   | STERNGRIFF                |                                | STAR KNOB               |
| 1            | 38   | 1      | 1      | 671007007            |                   | SCHEIBE                   | Ø8                             | WASHER                  |
| 1            | 39   | 1      | 1      | DA00000880           |                   | FLACHKOPFSCHRAUBE         | M8x35                          | FLAT HEAD BOLT          |
| 1            | 40   | 1      | 1      | DA00000880           |                   | FLACHKOPFSCHRAUBE         | M8x35                          | FLAT HEAD BOLT          |
| 1            | 41   | 1      | 1      | 671007007            |                   | SCHEIBE                   | Ø8                             | WASHER                  |
| 1            | 42   | 1      | 1      | DA00000564           |                   | STERNGRIFF                |                                | STAR KNOB               |
| 1            | 43   | 1      | 1      | DA00000563           |                   | SECHSKANTMUTTER           | M8                             | HEXAGONAL NUT           |
| 1            | 44   |        | 1      | DA00001292           |                   | HANDGRIFF                 | DOLMAR                         | HANDLE OF GRASS CATCHER |
| 1            | 44   | 1      |        | 671454001            |                   | HANDGRIFF                 | Makita                         | HANDLE OF GRASS CATCHER |
| 1            | 45   |        | 1      | DA00001291           |                   | KORB OBERTEIL             | DOLMAR                         | GRASS-BOX, UPPER        |
| 1            | 45   | 1      |        | 671467001            |                   | KORB OBERTEIL             | Makita                         | GRASS-BOX, UPPER        |
| 1            | 46   | 2      | 2      | DA00000326           |                   | SCHRAUBE SELBSTSCHNEIDEND | 5X16                           | SELF-TAPPING SCREW      |
| 1            | 47   | 2      | 2      | DA00000335           |                   | DRUCKPLATTE               |                                | AXLE PLATE              |
| 1            | 48   | 2      | 2      | DA00000025           |                   | SCHEIBE                   |                                | TIGHTEN PRESSING PLATE  |
| 1            | 49   | 6      | 6      | DA00000888           |                   | SCHRAUBE SELBSTSCHNEIDEND | 5x12                           | SELF-TAPPING SCREW      |
| 1            | 50   |        | 1      | DA00001289           |                   | RAHMEN                    | DOLMAR                         | GRASS CATCHER BRACKET   |
| 1            | 50   | 1      |        | 671001443            |                   | RAHMEN                    | Makita                         | GRASS CATCHER BRACKET   |
| 1            | 51   |        | 1      | DA00001290           |                   | DRUCKLEISTE               | DOLMAR                         | PRESSING BAR            |
| 1            | 51   | 1      |        | 671001353            |                   | DRUCKLEISTE               | Makita                         | PRESSING BAR            |
| 1            | 52   |        | 1      | DA00000966           |                   | NYLONEINSATZ FÜR FANGKORB | 60L Nylon, Dolmar Logo         | GRASS CATCHER           |
| 1            | 52   | 1      |        | 671001418            |                   | NYLONEINSATZ FÜR FANGKORB | 60L Nylon, Makita Logo         | GRASS CATCHER           |
| 1            | 118  | 1      | 1      | 671660001            |                   | MULCHEINSATZ              | with edge cutting              | MULCHING BLOCK          |



DLM460, AM3746

**1**Führungsholm, Grasfangkorb  
Guide tube, gras catcher

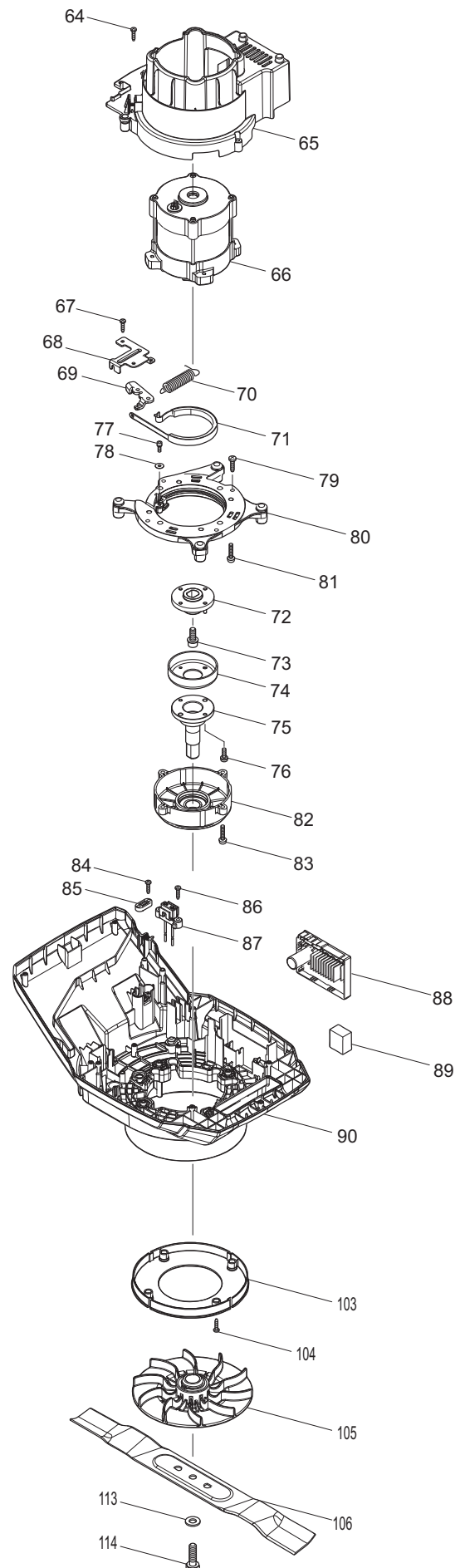
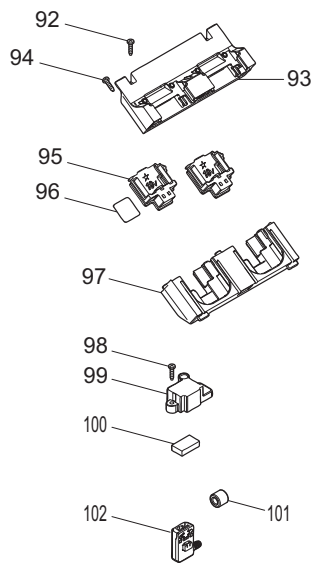
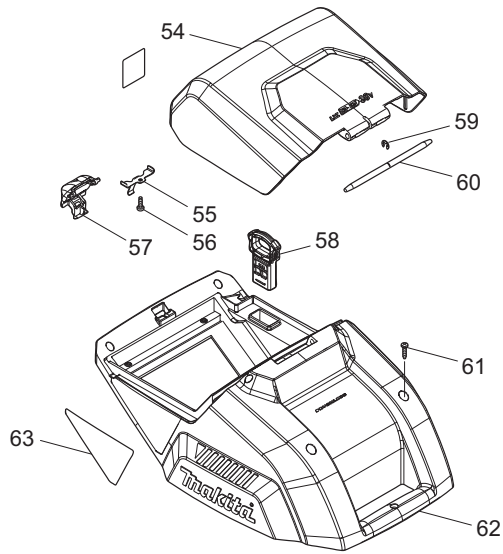
| Seite / Page | Pos. | DLM460 | AM3746 | Teil-Nr.<br>Part No. | Hinweise<br>Notes | Bezeichnung        | Spezifikation<br>Specification | Description              |
|--------------|------|--------|--------|----------------------|-------------------|--------------------|--------------------------------|--------------------------|
| 1            | 119  | 1      | 1      | 671316004            |                   | VERRIEGELUNGSKNOPF | 20"                            | LOCKING BUTTON           |
| 1            | 120  | 1      | 1      | 671011005            |                   | FEDER              | Ø8,0xØ0,9x31mm                 | SPRING                   |
| 1            | 121  | 1      | 1      | 671317001            |                   | DRUCKPLATTE        |                                | PRESSURE PLATE           |
| 1            | 122  | 2      | 2      | DA00000603           |                   | BLECHSCHRAUBE      | 4x16                           | SELF-TAPPING SCREW       |
| 1            | 195  |        | 1      | 127290-1             |                   | GRASFANGKORB KPL.  | 60L DOLMAR INC.<br>44-52       | GRASS CATCHER ASSEMBLY D |
| 1            | 195  | 1      |        | 127061-6             |                   | GRASFANGKORB KPL.  | 60L Makita INC.<br>44-52       | GRASS CATCHER ASSEMBLY   |



Zubehör  
Accessories  
Accessoires  
Accesorios

A01  
A02  
A03

| Seite / Page | Pos. | DLM460 | AM3746 | Teil-Nr.<br>Part No. | Hinweise<br>Notes | Bezeichnung               | Spezifikation<br>Specification | Description                   |
|--------------|------|--------|--------|----------------------|-------------------|---------------------------|--------------------------------|-------------------------------|
| 2            | 54   | 1      | 1      | 140F02-1             |                   | AKKU-ABDECKUNG            |                                | BATTERY COVER COMPLETE        |
| 2            | 54   | 1      | 1      | 818U29-6             |                   | HINWEISSCHILD             |                                | INDICATION LABEL              |
| 2            | 54   | 1      | 1      | 890380-0             |                   | SICHERHEITSAUFKLEBER      |                                | CAUTION LABEL                 |
| 2            | 55   | 1      | 1      | 232471-5             |                   | BLATTFEDER                |                                | LEAF SPRING                   |
| 2            | 56   | 1      | 1      | 266326-2             |                   | SCHNEIDSCHRAUBE           | 4x18                           | TAPPING SCREW                 |
| 2            | 57   | 1      | 1      | 458809-8             |                   | VERRIEGELUNGSHEBEL        |                                | LOCK LEVER                    |
| 2            | 58   | 1      | 1      | 643535-4             |                   | SCHLÜSSEL                 |                                | KEY                           |
| 2            | 59   | 1      | 1      | 961018-5             |                   | SICHERUNGSSCHEIBE         | E-5                            | STOP RING                     |
| 2            | 60   | 1      | 1      | 327209-2             |                   | STANGE                    | 6                              | ROD                           |
| 2            | 61   | 7      | 7      | 266326-2             |                   | SCHNEIDSCHRAUBE           | 4x18                           | TAPPING SCREW                 |
| 2            | 62   |        | 1      | 459388-9             |                   | MOTORHAUBE                | Rot, red                       | COWLING UPPER                 |
| 2            | 62   | 1      |        | 458798-7             |                   | MOTORHAUBE                | Blau, blue                     | COWLING UPPER                 |
| 2            | 63   |        | 1      | 855R69-5             |                   | TYPENSCHILD               | AM3746                         | NAME PLATE                    |
| 2            | 63   | 1      |        | 854V20-6             |                   | TYPENSCHILD               | DLM460                         | NAME PLATE                    |
| 2            | 64   | 4      | 4      | 266326-2             |                   | SCHNEIDSCHRAUBE           | 4x18                           | TAPPING SCREW                 |
| 2            | 65   | 1      | 1      | 140F01-3             |                   | MOTORABDECKUNG KPL.       |                                | MOTOR COVER COMPLETE          |
| 2            | 65   | 2      | 2      | 263005-3             |                   | GUMMISTIFT                | 6                              | RUBBER PIN                    |
| 2            | 66   | 1      | 1      | 629374-6             |                   | GLEICHSTROMMOTOR          |                                | DC MOTOR                      |
| 2            | 67   | 2      | 2      | 266326-2             |                   | SCHNEIDSCHRAUBE           | 4x18                           | TAPPING SCREW                 |
| 2            | 68   | 1      | 1      | 347456-9             |                   | HALTER                    |                                | LEVER BRACKET                 |
| 2            | 69   | 1      | 1      | 347455-1             |                   | BREMSHEBEL                |                                | BRAKE LEVER                   |
| 2            | 70   | 1      | 1      | 232469-2             |                   | ZUGFEDER                  | 15                             | TENSION SPRING                |
| 2            | 71   | 1      | 1      | 140F28-3             | => 2018-07        | BREMSBAND                 |                                | BRAKE BAND COMPLETE           |
| 2            | 71   | 1      | 1      | 140K44-5             | 2018-08 =>        | BREMSBAND                 |                                | BRAKE BAND COMPLETE           |
| 2            | 72   | 1      | 1      | 140F06-3             |                   | MESSERWELLENHALTER        |                                | DRUM HOLDER COMPLETE          |
| 2            | 73   | 1      | 1      | 922438-8             |                   | INNEN-6 KANT-SCHRAUBE     | M8x22                          | HEX.SOCKET HEAD BOLT          |
| 2            | 74   | 1      | 1      | 347506-0             |                   | BREMSTROMMEL              |                                | BRAKE DRUM                    |
| 2            | 75   | 1      | 1      | 327207-6             | => 2018-10        | SPINDEL                   |                                | SPINDLE                       |
| 2            | 75   | 1      | 1      | 327361-6             | 2018-11 =>        | SPINDEL                   |                                | SPINDLE                       |
| 2            | 76   | 2      | 2      | 911221-8             |                   | SCHRAUBE                  | M5X16                          | SCREW                         |
| 2            | 77   | 1      | 1      | 922116-0             |                   | INNEN-6 KANT-SCHRAUBE     | M4X12                          | HEX. SOCKET HEAD BOLT         |
| 2            | 78   | 1      | 1      | 253874-0             |                   | SCHEIBE                   | 4X12X0,5                       | FLAT WASHER                   |
| 2            | 79   | 4      | 4      | 266420-0             |                   | SCHNEIDSCHRAUBE           | 5X20                           | TAPPING SCREW                 |
| 2            | 80   | 1      | 1      | 319768-0             | => 2019           | MOTORHALTERUNG            |                                | MOTOR BRACKET                 |
| 2            | 80   | 1      | 1      | 319908-0             | 2020 =>           | MOTORHALTERUNG            |                                | MOTOR BRACKET                 |
| 2            | 81   | 4      | 4      | 911243-8             |                   | KOMBI-SCHRAUBE            | M5x25                          | PAN HEAD SCREW                |
| 2            | 82   | 1      | 1      | 140F51-8             |                   | ABDECKUNG                 |                                | BRAKE COVER COMPLETE          |
| 2            | 82   | 1      | 1      | 660211326            |                   | KUGELLAGER                | 6004DDW                        | BALL BEARING                  |
| 2            | 83   | 4      | 4      | 911243-8             |                   | KOMBI-SCHRAUBE            | M5x25                          | PAN HEAD SCREW                |
| 2            | 84   | 2      | 2      | 266326-2             |                   | SCHNEIDSCHRAUBE           | 4x18                           | TAPPING SCREW                 |
| 2            | 85   | 1      | 1      | 687124-5             |                   | KABELKLEMMPLATTE          |                                | STRAIN RELIEF CABLE           |
| 2            | 86   | 2      | 2      | 266326-2             |                   | SCHNEIDSCHRAUBE           | 4x18                           | TAPPING SCREW                 |
| 2            | 87   | 1      | 1      | 632M81-0             |                   | LEITUNGSEINHEIT           |                                | LEAD UNIT                     |
| 2            | 88   | 1      | 1      | 620939-7             |                   | ELEKTRONIK                |                                | CONTROLLER                    |
| 2            | 89   | 2      | 2      | 422351-5             |                   | SCHAUMGUMMI               |                                | SPONGE                        |
| 2            | 90   | 1      | 1      | 458799-5             |                   | HAUBE                     |                                | COWLING LOWER                 |
| 2            | 92   | 2      | 2      | 266326-2             |                   | SCHNEIDSCHRAUBE           | 4x18                           | TAPPING SCREW                 |
| 2            | 93   | 1      | 1      | 183K40-0             |                   | KONTAKTPLATTENGEHÄUSE-SET | INC. 97                        | TERMINAL HOUSING R/L COMPLETE |
| 2            | 93   | 4      | 4      | 263005-3             |                   | GUMMISTIFT                | 6                              | RUBBER PIN                    |
| 2            | 94   | 3      | 3      | 266326-2             |                   | SCHNEIDSCHRAUBE           | 4x18                           | TAPPING SCREW                 |
| 2            | 95   | 2      | 2      | 644809-6             |                   | KONTAKTPLATTE             |                                | TERMINAL                      |
| 2            | 96   |        | 1      | 855R70-0             |                   | SERIEN-NR.-SCHILD         | AM3746                         | SERIAL NO. LABEL              |
| 2            | 96   | 1      |        | 854V26-4             |                   | SERIEN-NR.-SCHILD         | DLM460                         | SERIAL NO. LABEL              |
| 2            | 97   | 1      | 1      | 183K40-0             |                   | KONTAKTPLATTENGEHÄUSE-SET | INC. 93                        | TERMINAL HOUSING R/L COMPLETE |
| 2            | 97   | 4      | 4      | 263005-3             |                   | GUMMISTIFT                | 6                              | RUBBER PIN                    |
| 2            | 98   | 2      | 2      | 266326-2             |                   | SCHNEIDSCHRAUBE           | 4x18                           | TAPPING SCREW                 |
| 2            | 99   | 1      | 1      | 458797-9             |                   | SCHALTERABDECKUNG         |                                | SWITCH COVER                  |
| 2            | 100  | 1      | 1      | 422350-7             |                   | SCHAUMGUMMI               |                                | SPONGE                        |
| 2            | 101  | 1      | 1      | 688163-8             |                   | ENTSTÖRFILTER             |                                | LINE FILTER                   |
| 2            | 102  | 1      | 1      | 651083-9             |                   | SCHALTER                  | C3XA-1PSPM                     | SWITCH                        |
| 2            | 103  | 1      | 1      | 458808-0             |                   | FELDABDECKUNG             |                                | BAFFLE PLATE                  |
| 2            | 104  | 4      | 4      | 266326-2             |                   | SCHNEIDSCHRAUBE           | 4x18                           | TAPPING SCREW                 |
| 2            | 105  | 1      | 1      | 140F05-5             |                   | MESSERHALTER              |                                | BLADE SUPPORT COMPLETE        |
| 2            | 106  | 1      | 1      | 199367-2             |                   | SICHELMESSER              | 46cm                           | BLADE 460 SET                 |



Zubehör  
Accessories  
Accessoires  
Accesorios

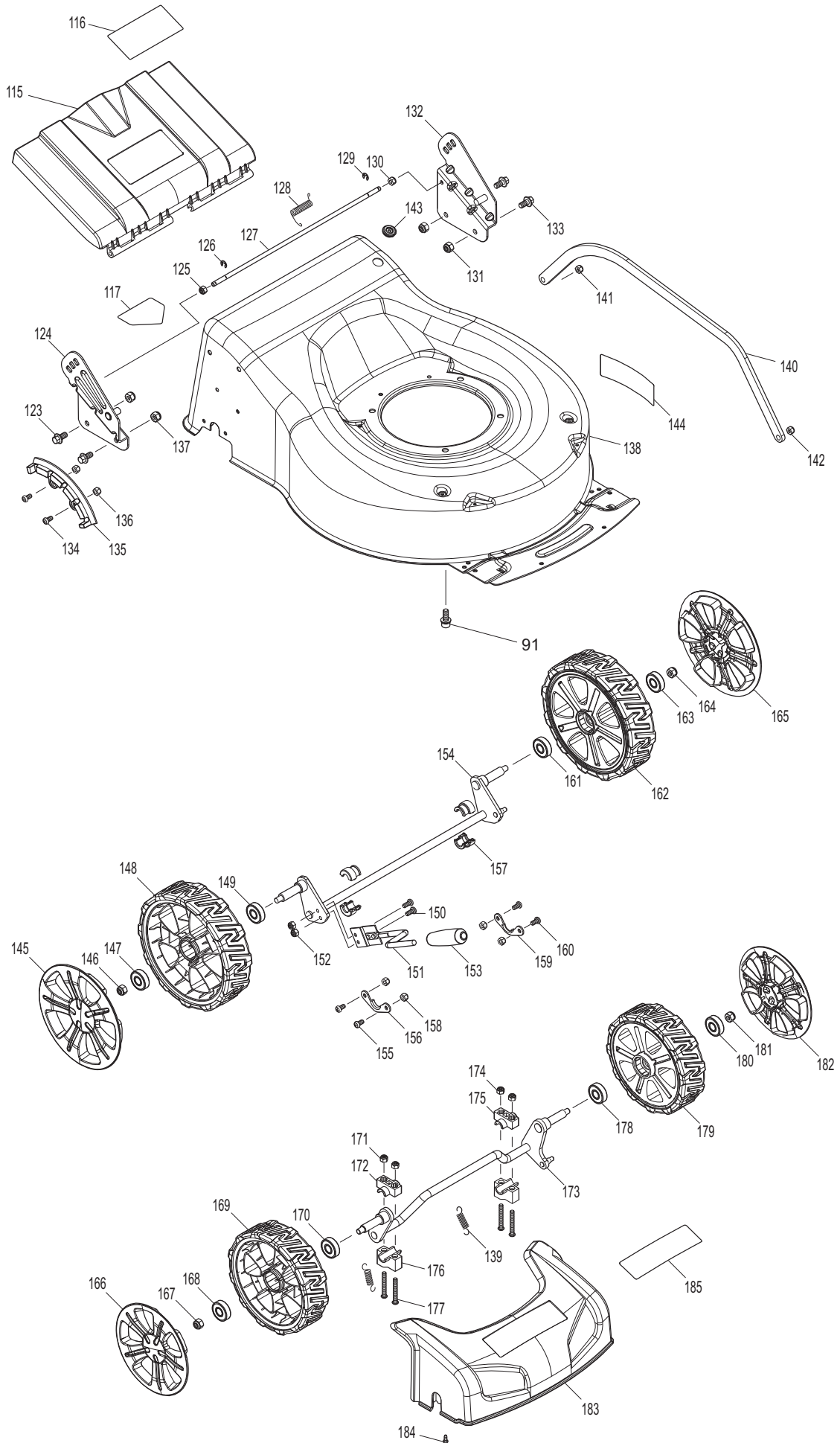
A01  
A02  
A03



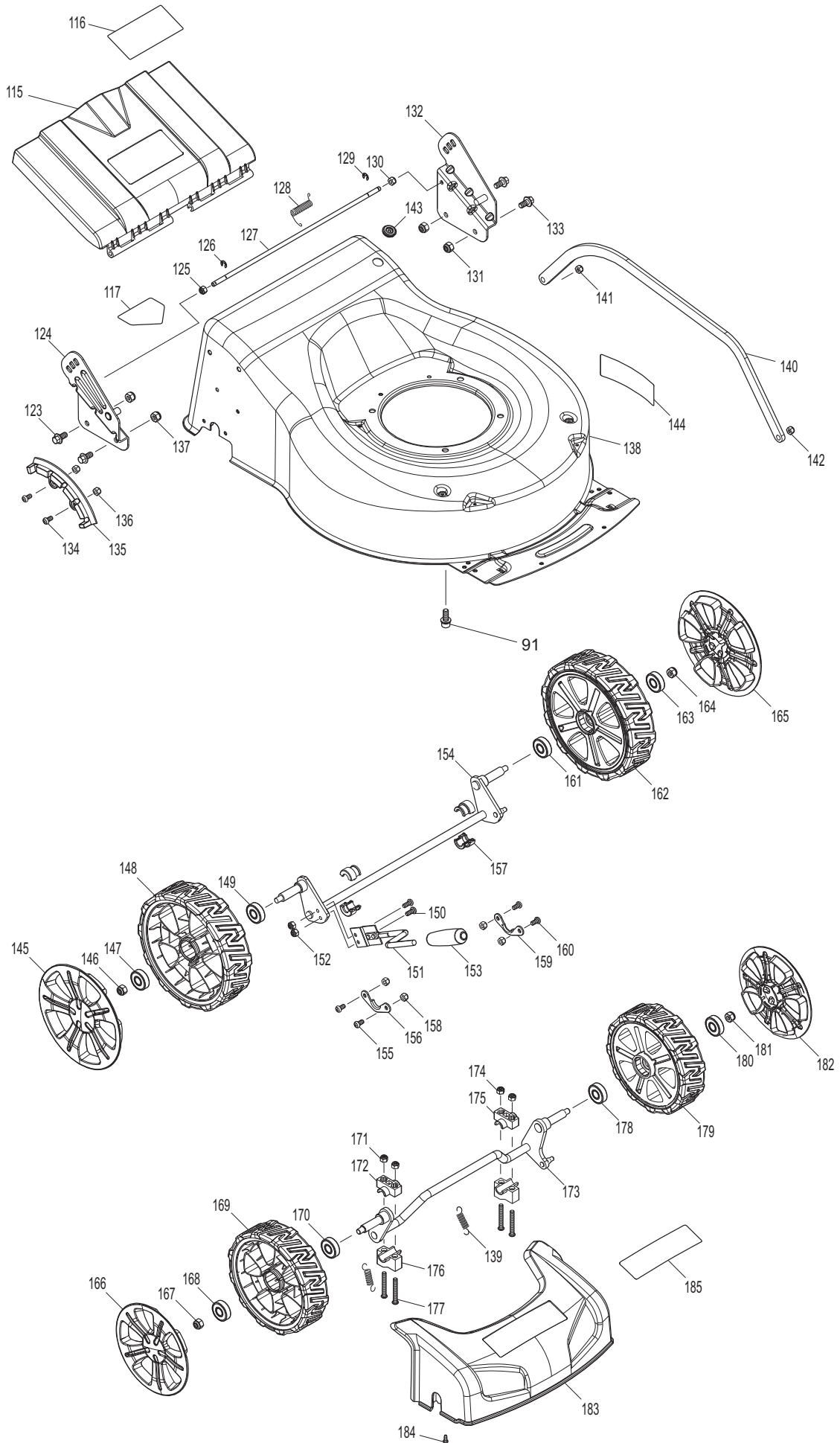
DLM460, AM3746

**2**Gehäuse, Motor, Messer, Zubehör  
Housing, motor, blade, accessories

| Seite / Page | Pos. | DLM460 | AM3746 | Teil-Nr.<br>Part No. | Hinweise<br>Notes | Bezeichnung          | Spezifikation<br>Specification | Description          |
|--------------|------|--------|--------|----------------------|-------------------|----------------------|--------------------------------|----------------------|
| 2            | 113  | 1      | 1      | 941251-5             |                   | UNTERLAGSCHEIBE      | 10                             | FLAT WASHER          |
| 2            | 114  | 1      | 1      | 921556-9             |                   | 6 KANT-SCHRAUBE      | M10X35                         | HEXAGON BOLT         |
| 2            | A01  | 1      | 1      | 782210-8             |                   | STECKSCHLÜSSEL       | 17                             | SOCKET WRENCH        |
| 2            | A02  | 1      | 1      | 196933-6             |                   | LADEGERÄT            | DC18RD                         | BATTERY FAST CHARGER |
| 2            | A03  | 2      | 2      | 196235-0             |                   | AKKU                 | BL1815N Li 18,0V<br>1,5Ah      | BATTERY              |
| 2            | A03  | 2      | 2      | 197599-5             |                   | AKKU                 | BL1830B Li 18,0V<br>3,0Ah      | BATTERY              |
| 2            | A03  | 2      | 2      | 197265-4             |                   | AKKU                 | BL1840B Li 18,0V<br>4,0Ah      | BATTERY              |
| 2            | A03  | 2      | 2      | 197280-8             |                   | AKKU                 | BL1850B Li 18,0V<br>5,0Ah      | BATTERY              |
| 2            | A03  | 2      | 2      | 197422-4             |                   | AKKU                 | BL1860B Li 18,0V<br>6,0Ah      | BATTERY              |
| 2            | E01  | 1      | 1      | 817C33-4             |                   | SCHALLPEGELAUFKLEBER | xxdB                           | SOUND LABEL          |



| Seite / Page | Pos. | DLM460 | AM3746 | Teil-Nr.<br>Part No. | Hinweise<br>Notes | Bezeichnung                   | Spezifikation<br>Specification | Description                          |
|--------------|------|--------|--------|----------------------|-------------------|-------------------------------|--------------------------------|--------------------------------------|
| 3            | 91   | 4      | 4      | 922438-8             |                   | INNEN-6 KANT-SCHRAUBE         | M8x22                          | HEX.SOCKET HEAD BOLT                 |
| 3            | 115  |        | 1      | DA00001260           |                   | HECKKLAPPE                    | Rot, red                       | REAR FLAP                            |
| 3            | 115  | 1      |        | DA00001252           | => 2019           | HECKKLAPPE                    | Blau, blue                     | REAR FLAP                            |
| 3            | 115  | 1      |        | DA00001295           | 2020 =>           | HECKKLAPPE                    | Blau, blue                     | REAR FLAP                            |
| 3            | 116  | 1      | 1      | 818A77-5             |                   | SICHERHEITSAUFKLEBER          |                                | CAUTION LABEL                        |
| 3            | 123  | 2      | 2      | 671006064            |                   | SECHSKANTSCHRAUBE             | M8x6                           | HEXAGON HEAD BOLT                    |
| 3            | 124  | 1      | 1      | DA00001248           |                   | GRIFFANBINDUNG                |                                | HANDLE BRACKET                       |
| 3            | 125  | 1      | 1      | DA00000543           |                   | SECHSKANTMUTTER               | M6                             | HEXAGONAL LOCKING NUT                |
| 3            | 126  | 1      | 1      | 671009017            |                   | KLEMMRING                     |                                | OPEN BLOCK RING                      |
| 3            | 127  | 1      | 1      | 671001518            |                   | STANGE F. HECKKLAPPE          |                                | LONG POLE                            |
| 3            | 128  | 1      | 1      | 671011101            |                   | FEDER                         |                                | SPRING OF REAR COVER BOARD           |
| 3            | 129  | 1      | 1      | 671009017            |                   | KLEMMRING                     |                                | OPEN BLOCK RING                      |
| 3            | 130  | 1      | 1      | DA00000543           |                   | SECHSKANTMUTTER               | M6                             | HEXAGONAL LOCKING NUT                |
| 3            | 131  | 2      | 2      | DA00000537           |                   | SECHSKANTMUTTER               | M8                             | HEXAGONAL LOCKING NUT                |
| 3            | 132  | 1      | 1      | DA00001249           |                   | GRIFFANBINDUNG                |                                | HANDLE BRACKET                       |
| 3            | 133  | 2      | 2      | 671006064            |                   | SECHSKANTSCHRAUBE             | M8x6                           | HEXAGON HEAD BOLT                    |
| 3            | 134  | 2      | 2      | 671002019            |                   | SCHRAUBE                      | M6x12                          | TRIGGER BOLT                         |
| 3            | 135  | 1      | 1      | DA00000787           | => 2018-10        | DREHPUNKT F. HÖHENVERSTELLUNG |                                | HEIGHT ADJUSTMENT PLATE              |
| 3            | 135  | 1      | 1      | 459361-9             | 2018-11 =>        | DREHPUNKT F. HÖHENVERSTELLUNG |                                | HEIGHT ADJUSTMENT PLATE              |
| 3            | 136  | 2      | 2      | DA00000543           |                   | SECHSKANTMUTTER               | M6                             | HEXAGONAL LOCKING NUT                |
| 3            | 137  | 2      | 2      | DA00000537           |                   | SECHSKANTMUTTER               | M8                             | HEXAGONAL LOCKING NUT                |
| 3            | 138  | 1      | 1      | DA00001250           | => 2019           | DECK                          |                                | DECK                                 |
| 3            | 138  | 1      | 1      | DA00001294           | 2020 =>           | DECK                          |                                | DECK                                 |
| 3            | 139  | 2      | 2      | 671011125            |                   | ZUGFEDER                      |                                | EXTENSION SPRING OF FRONT WHEEL AXLE |
| 3            | 140  | 1      | 1      | DA00001154           |                   | VERBINDUNGSSTANGE             |                                | LINK ROD                             |
| 3            | 141  | 1      | 1      | DA00000549           |                   | SECHSKANTMUTTER               | M6                             | LOCKING NUT                          |
| 3            | 142  | 1      | 1      | DA00000549           |                   | SECHSKANTMUTTER               | M6                             | LOCKING NUT                          |
| 3            | 143  | 1      | 1      | 671800104            |                   | GUMMITÜLLE                    |                                | CORD PROTECTING SHEATH               |
| 3            | 144  | 1      | 1      | 818A76-7             |                   | SCHILD                        | 3 IN 1 LOGO                    | LABEL                                |
| 3            | 145  | 1      | 1      | DA00000536           |                   | RADKAPPE                      | 8"                             | WHEEL COVER                          |
| 3            | 146  | 1      | 1      | DA00000537           |                   | SECHSKANTMUTTER               | M8                             | HEXAGONAL LOCKING NUT                |
| 3            | 147  | 1      | 1      | DA00000538           |                   | KUGELLAGER                    | 6201Z                          | BALL BEARING                         |
| 3            | 148  | 1      | 1      | 671020160            |                   | RAD                           | 8"                             | WHEEL ASSY.                          |
| 3            | 149  | 1      | 1      | DA00000538           |                   | KUGELLAGER                    | 6201Z                          | BALL BEARING                         |
| 3            | 150  | 2      | 2      | 671002030            |                   | SCHRAUBE                      | M6x14                          | TRIGGER BOLT                         |
| 3            | 151  | 1      | 1      | DA00001174           |                   | HEBEL F. HÖHENVERSTELLUNG     |                                | LEVER, HEIGHT ADJUSTMENT             |
| 3            | 152  | 2      | 2      | DA00000549           |                   | SECHSKANTMUTTER               | M6                             | LOCKING NUT                          |
| 3            | 153  | 1      | 1      | DA00000551           |                   | GRIFFUMHÜLLUNG                |                                | HANDLE SHEATH                        |
| 3            | 154  | 1      | 1      | DA00001175           |                   | HINTERRADACHSE                |                                | REAR WHEEL AXIS ASSY                 |
| 3            | 155  | 2      | 2      | 671002019            |                   | SCHRAUBE                      | M6x12                          | TRIGGER BOLT                         |
| 3            | 156  | 1      | 1      | DA00000542           |                   | FIXIERUNG                     |                                | RING OF AXLE FIXING                  |
| 3            | 157  | 4      | 4      | DA00001025           |                   | LAGERSCHALE                   |                                | WHEEL AXIS SHEATH                    |
| 3            | 158  | 4      | 4      | DA00000543           |                   | SECHSKANTMUTTER               | M6                             | HEXAGONAL LOCKING NUT                |
| 3            | 159  | 1      | 1      | DA00000542           |                   | FIXIERUNG                     |                                | RING OF AXLE FIXING                  |
| 3            | 160  | 2      | 2      | 671002019            |                   | SCHRAUBE                      | M6x12                          | TRIGGER BOLT                         |
| 3            | 161  | 1      | 1      | DA00000538           |                   | KUGELLAGER                    | 6201Z                          | BALL BEARING                         |
| 3            | 162  | 1      | 1      | 671020160            |                   | RAD                           | 8"                             | WHEEL ASSY.                          |
| 3            | 163  | 1      | 1      | DA00000538           |                   | KUGELLAGER                    | 6201Z                          | BALL BEARING                         |
| 3            | 164  | 1      | 1      | DA00000537           |                   | SECHSKANTMUTTER               | M8                             | HEXAGONAL LOCKING NUT                |
| 3            | 165  | 1      | 1      | DA00000536           |                   | RADKAPPE                      | 8"                             | WHEEL COVER                          |
| 3            | 166  | 1      | 1      | 671001176            |                   | RADKAPPE                      | 7"                             | WHEEL COVER                          |
| 3            | 167  | 1      | 1      | DA00000537           |                   | SECHSKANTMUTTER               | M8                             | HEXAGONAL LOCKING NUT                |
| 3            | 168  | 1      | 1      | DA00000538           |                   | KUGELLAGER                    | 6201Z                          | BALL BEARING                         |
| 3            | 169  | 1      | 1      | 671020150            |                   | RAD                           | 7"                             | WHEEL ASSY.                          |
| 3            | 170  | 1      | 1      | DA00000538           |                   | KUGELLAGER                    | 6201Z                          | BALL BEARING                         |
| 3            | 171  | 2      | 2      | DA00000549           |                   | SECHSKANTMUTTER               | M6                             | LOCKING NUT                          |
| 3            | 172  | 1      | 1      | 671445001            |                   | LAGERSCHALE                   |                                | BEARING SHELL                        |
| 3            | 173  | 1      | 1      | 671001786            |                   | VORDERACHSE                   | with edge cutting              | FRONT WHEEL AXLE                     |
| 3            | 174  | 2      | 2      | DA00000549           |                   | SECHSKANTMUTTER               | M6                             | LOCKING NUT                          |
| 3            | 175  | 1      | 1      | 671445001            |                   | LAGERSCHALE                   |                                | BEARING SHELL                        |
| 3            | 176  | 2      | 2      | 671418001            |                   | LAGERSCHALE                   |                                | BEARING SHELL                        |
| 3            | 177  | 4      | 4      | 671002028            |                   | SCHRAUBE                      | M6x45                          | TRIGGER BOLT                         |
| 3            | 178  | 1      | 1      | DA00000538           |                   | KUGELLAGER                    | 6201Z                          | BALL BEARING                         |



DLM460, AM3746

**3**Deck, Räder  
Deck, wheels

| Seite / Page | Pos. | DLM460 | AM3746 | Teil-Nr.<br>Part No. | Hinweise<br>Notes | Bezeichnung     | Spezifikation<br>Specification | Description           |
|--------------|------|--------|--------|----------------------|-------------------|-----------------|--------------------------------|-----------------------|
| 3            | 179  | 1      | 1      | 671020150            |                   | RAD             | 7"                             | WHEEL ASSY.           |
| 3            | 180  | 1      | 1      | DA00000538           |                   | KUGELLAGER      | 6201Z                          | BALL BEARING          |
| 3            | 181  | 1      | 1      | DA00000537           |                   | SECHSKANTMUTTER | M8                             | HEXAGONAL LOCKING NUT |
| 3            | 182  | 1      | 1      | 671001176            |                   | RADKAPPE        | 7"                             | WHEEL COVER           |
| 3            | 183  |        | 1      | DA00001259           |                   | FRONTTEIL       | Rot, red                       | FRONT COVER           |
| 3            | 183  | 1      |        | DA00001251           |                   | FRONTTEIL       | Blau, blue                     | FRONT COVER           |
| 3            | 184  | 8      | 8      | DA00000911           |                   | BLECHSCHRAUBE   | 4,2x10                         | SELF-TAPPING SCREW    |
| 3            | 184  |        | 1      | 819G11-4             |                   | FIRMENSCHILD    | DOLMAR Logo                    | LABEL                 |
| 3            | 185  | 1      |        | 818A75-9             |                   | FIRMENSCHILD    | Makita Logo                    | LABEL                 |

DLM460, AM3746



- 1** Führungsholm, Grasfangkorb  
Guide tube, gras catcher
- 2** Gehäuse, Motor, Messer, Zubehör  
Housing, motor, blade, accessories
- 3** Deck, Räder  
Deck, wheels

|  | <b>Zeichenerklärung</b>  | <b>Key to symbols</b>   |
|--|--|---|
| <b>=&gt; 1999999</b><br><b>2000000 =&gt;</b><br><b>2003.04 =&gt;</b><br><b>TI 2003/07</b><br><b>Acc.</b><br><b>=</b><br><b>{</b><br><b>m</b><br><b>Corr.</b> | Produktion bis Serien-Nr.<br>Neues Teil ab Serien-Nr.<br>Neues Teil ab Jahr / Monat<br>Siehe Technische Information Jahr / Nr.<br>Zubehör (nicht im Lieferumfang)<br>Keine Serienausführung, jedoch verwendbar<br>Beinhaltet Positions-Nr.<br>Meterware<br>Druckfehlerberichtigung | Production to serial number<br>New part from serial number<br>New part from Year / Month<br>See Technical Information Year / No.<br>Accessories (not included in the delivery inventory)<br>No standard execution, may be used<br>Contains item number<br>Sold by the meter<br>Error correction |
|  | Änderungen vorbehalten   | Specifications subject to change without notice   |